

## Description

Slim U-shaped customisable LED linear profile system for continuous direct lighting with optional indirect lighting.

The unit consists of an aluminium base combined with a diffuse polycarbonate diffuser, prismatic polycarbonate diffuser or aluminium blind cover plate.

When combining the LED lines with prismatic polycarbonate, the profile system becomes compliant with the EN12464-1 office standard.

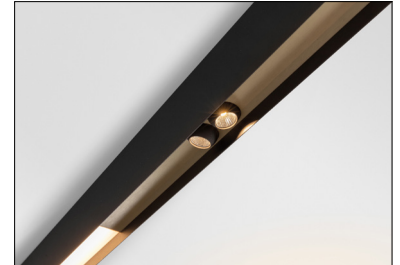
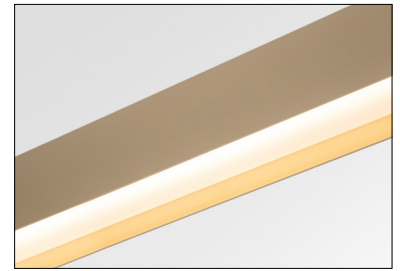
The base can be surface mounted (either ceiling or wall), suspended or recessed (either trimless or with flange).

## Materials

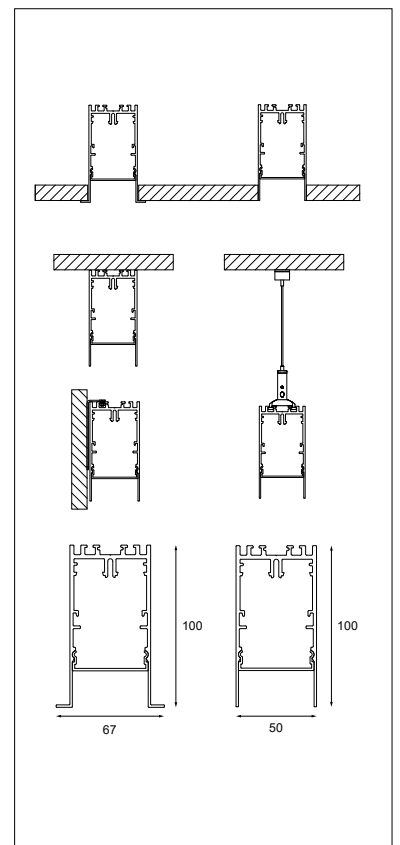
- Base and front cover: either anodized in aluminium colour, either brushed anodized in bronze, champagne or silver bronze colour, either finished with scratch-resistant fine textured powder coating in matt white or matt black
- End plates: aluminium, either spray painted in any colours, either finished with scratch-resistant fine textured powder coating in matt white or matt black
- Diffusers: polycarbonate

## Technical characteristics

- Dimensions: 100 mm x 50 mm (H x W)
- Average base thickness: 1.5 mm
- Suitable for a continuous direct light line with high-power LED line modules of 2095 lm/m (3000K, 50° lens, full load):
  - 19.3 W/m (3000K, full load)
  - 109 lm/W (3000K, full load)
  - 2700K, 3000K, 4000K or Tunable White (2700-6500K)
  - all CRI90
  - binning of 3SCDM
  - L80B10 @ 50.000 hrs lifetime
  - integrated electronic LED drivers: non-dimmable, DALI/Pushdim or Casambi
  - also available in preset dimmed version @ 50% of initial light output
  - available both with or without lens pack
  - also available with an emergency pack (3 hours)
- Suitable for a continuous uplight line with indirect flexible LEDstrip of 1000, 2000 and 3600lm/W:
  - 2700K, 3000K or 4000K
  - all CRI90
  - binning of 3SCDM
  - L80B10 @ 50.000 hrs lifetime
  - integrated electronic LED drivers on 24V possible: non-dimmable/trailing edge dimmable/ 1-10V/Dali-Pushdim
- Integratable spotlighting LED high power COB modules available:
  - orientable +30°/-30°, 360° rotatable
  - 7.5W per module
  - 544lm per module (3000K, medium reflector)
  - 72lm/W
  - 2700K, 3000K, 4000K
  - all CRI90
  - binning 3SDCM
  - medium (25°) and flood (40°) high gloss aluminium reflector
  - integrated electronic LED drivers: trailing edge, 1-10V, DALI/Pushdim or Casambi
- Integration of various spotlight designs via the 'plug and play' jack system
- Luminaire efficiency: 75% or more (depending on the type of diffuser and lens)
- The UGR value varies between UGR 7 and UGR 22 (values depend on the output per meter and the combination of uplight and downlight)
- Power: 220-230V, 50-60Hz
- Class 1
- 960°C Glowwire rating
- Only for indoor use
- Warranty period: 5 years on LED lamps, 5 years on drivers



SLD50 HIGH



## Installation

- Fully tested and preinstalled halogen-free wiring. Ready to connect to mains via any connection point.
- Drivers and LED lines are preinstalled in the unit and easy to replace with a click system
- Surface mounted ceiling: universal chipboard screws, maximum  $\varnothing$  4.5 mm
- Surface mounted wall: universal chipboard screws, maximum  $\varnothing$  4.5 mm in combination with wall bracket
- Suspended: Steel cable and bracket. Height adjusted at profile side. Position alongside the profile adjusted by sliding the bracket in the back of the profile.
- Recessed: steel installation brackets for trimless or non-trimless installation

## Accessories

- Suspension set with steel cable, transparent 3,5 or 7 pole power cable, matt white/black textured or grey polyester powder coated aluminium ceiling mounts

## Standards and directives:

- 2006/95/EC - Low Voltage Directive
- 2004/108/EC - EMC Directive
- 2011/65/EU - RoHS Directive
- 2009/125/EC - Ecodesign Directive
- 245/2009/EC + 347/2010/EU - Ecodesign Directive
- 1194/2012/EU - Ecodesign Regulation
- EN 60598-1:2008 +A11:2009 - Luminaires. General requirements and tests
- EN 62471:2008 - Photobiological safety of LED lamps and lamp systems
- EN 62493: 2010 - Assessment of lighting equipment related to human exposure to electromagnetic fields
- EN 60598-2-1 - Fixed general purpose luminaires
- EN 60598-2-2:2012 - Recessed luminaires
- EN 55015:2006 +A1:2007 +A2:2009 - Limits and methods of measurement of radio disturbance characteristics of electrical lighting and similar equipment
- EN 61000-3-2:2006 +A1,A2:2009 - Limits for harmonic current emissions (equipment input current  $\leq$  16 A per phase)
- EN 61000-3-3:2013 - Limitation of voltage changes, voltage fluctuations and flicker in public low-voltage supply systems, for equipment with rated current  $\leq$  16 A per phase and not subject to conditional connection
- EN 61547:2009 - EMC Immunity Requirements
- EN 50581:2012 - Technical documentation for the assessment of electrical and electronic products with respect to the restriction of hazardous substances