

Description

Slim U-shaped customisable LED linear profile system for continuous direct lighting with optional indirect lighting.
 The unit consists of an aluminium base combined with a diffuse polycarbonate diffuser or aluminium blind cover plate.
 The base can be surface mounted (either ceiling or wall), suspended or recessed (either trimless or with flange).

Materials

- Base and front cover: either anodized in aluminium colour, either brushed anodized in bronze, champagne or silver bronze colour, either finished with scratch-resistant fine textured powder coating in matt white or matt black
- End plates: aluminium, either spray painted in any colours, either finished with scratch-resistant fine textured powder coating in matt white or matt black
- Diffuser: polycarbonate

Technical characteristics

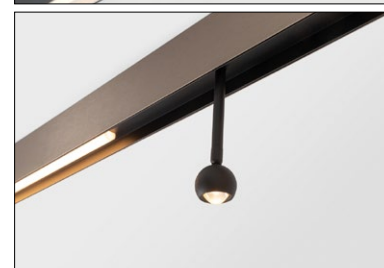
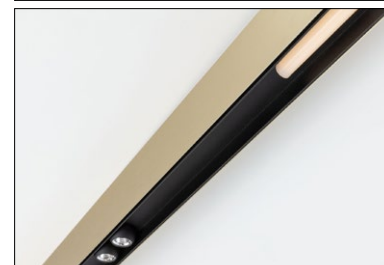
- Dimensions: 80 mm x 50 mm (H x W)
- Average base thickness: 1.5 mm
- Suitable for a non-continuous direct light line with high-power LED line modules of 930mm, 1230mm or 1530mm length:
 - 1818lm (delivered lumens) for a 3000K 1530mm module
 - 2700K or 3000K
 - all CRI90
 - binning of 3SCDM
 - L80B10 @ 50.000 hrs lifetime
 - integrated electronic LED drivers: non-dimmable, DALI/Pushdim or 1-10V
- Suitable for a continuous upright line with indirect flexible LEDstrip of 1000, 2000 and 3600lm/W:
 - 2700K, 3000K or 4000K
 - all CRI90
 - binning of 3SCDM
 - integrated electronic LED drivers on 24V possible: non-dimmable/trailing edge dimmable/ 1-10V/Dali-Pushdim
- Integratable spotlighting LED high power COB modules available:
 - orientable +30°/-30°, 360° rotatable
 - 7.5W per module
 - 622lm per module (3000K, medium reflector)
 - 72lm/W
 - 2700K, 3000K
 - all CRI90
 - binning 3SDCM
 - medium (25°) high gloss aluminium reflector
 - integrated electronic LED drivers: trailing edge, 1-10V, DALI/Pushdim or Casambi
- Integration of various spotlight modules via 'plug and play' jack system
- Power: 220-230V, 50-60Hz
- Class 1
- 960°C Glowwire rating
- Only for indoor use
- Warranty period: 5 years on LED lamps, 5 years on drivers

Installation

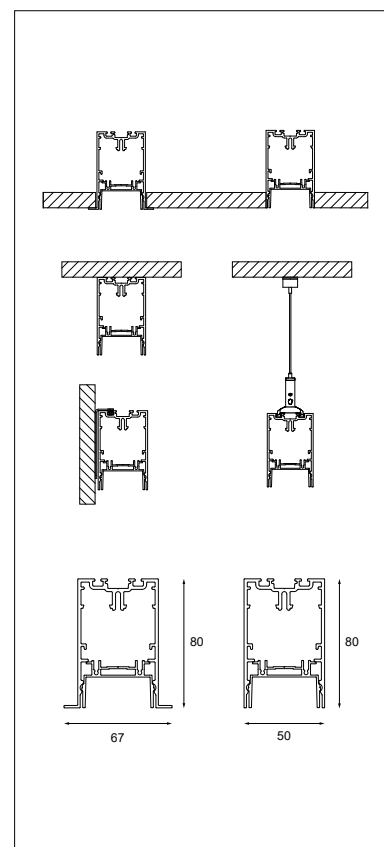
- Fully tested and preinstalled halogen-free wiring. Ready to connect to mains via any connection point.
- Drivers and LED lines are preinstalled in the unit and easy to replace with a click system
- Surface mounted ceiling: universal chipboard screws, maximum \varnothing 4.5 mm
- Surface mounted wall: universal chipboard screws, maximum \varnothing 4.5 mm in combination with wall bracket
- Suspended: Steel cable and bracket. Height adjusted at profile side. Position alongside the profile adjusted by sliding the bracket in the back of the profile.
- Recessed: steel installation brackets for trimless or non-trimless installation

Accessories

- Suspension set with steel cable, transparent 3,5 or 7 pole power cable, matt white/black textured or grey polyester powder coated aluminium ceiling mounts



SLD50 NAKED



Standards and directives:

- 2006/95/EC - Low Voltage Directive
- 2004/108/EC - EMC Directive
- 2011/65/EU - RoHS Directive
- 2009/125/EC - ECODesign Directive
- 245/2009/EC + 347/2010/EU - ECODesign Directive
- 1194/2012/EU - ECODesign Regulation
- EN 60598-1:2008 +A11:2009 - Luminaires. General requirements and tests
- EN 62471:2008 - Photobiological safety of LED lamps and lamp systems
- EN 62493: 2010 - Assessment of lighting equipment related to human exposure to electromagnetic fields
- EN 60598-2-1 - Fixed general purpose luminaires
- EN 55015:2006 +A1:2007 +A2:2009 - Limits and methods of measurement of radio disturbance characteristics of electrical lighting and similar equipment
- EN 61000-3-2:2006 +A1,A2:2009 - Limits for harmonic current emissions (equipment input current ≤ 16 A per phase)
- EN 61000-3-3:2013 - Limitation of voltage changes, voltage fluctuations and flicker in public low-voltage supply systems, for equipment with rated current ≤ 16 A per phase and not subject to conditional connection
- EN 61547:2009 - EMC Immunity Requirements
- EN 50581:2012 - Technical documentation for the assessment of electrical and electronic products with respect to the restriction of hazardous substances