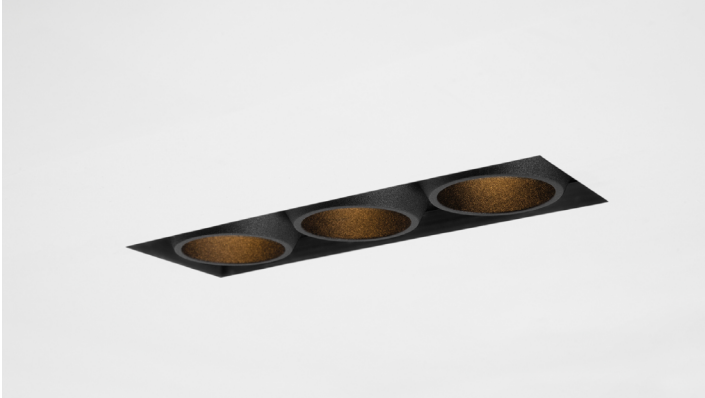


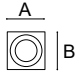



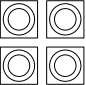
## Qbini Frame Recessed Trimless Non-IC Remodel

### Overview



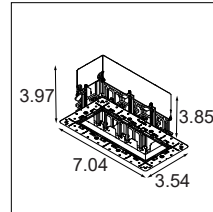
Qbini families are tiny, playful and many. Qbini Frame Recessed Trimless non-IC remodel allows you to play with all of them and blend them in the ceiling; all while being installed from below. Choose a black or white box that accommodates up to four Qbini lamps or Qbini General and start combining!

### Configurations

	A	B		
<b>1 Module</b>	1.73"	1.73"		
<b>2 Module</b>	3.46"	1.73"		
<b>3 Module</b>	5.19"	1.73"		
<b>4 Module</b>	6.92"	1.73"		
	4.17"	4.17"		

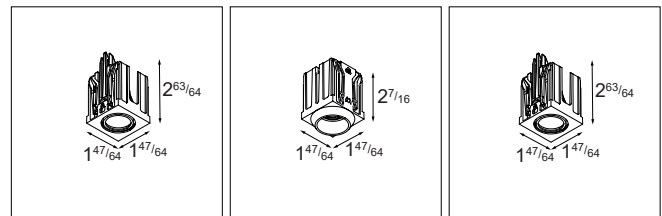
### How to Specify (Example)

1. Select Frame Configuration → Page 2



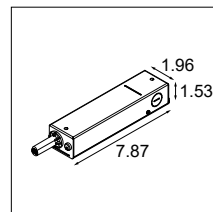
Example: **QBINI-TL-RD-3X-DP-500-BL**  
(3 module trimless frame for remote driver, 500mA, black)

2. Select Each Lamp Module → Page 3 & 4



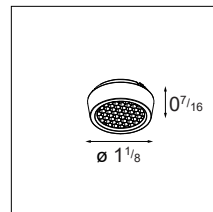
Example: **QBINI-AD-30F-DP-DE-BLS**  
**QBINI-RT-1X-MG-30F-DP-DE-BLS**  
**QBINI-AD-30F-010P-DP-DE-BLS**  
(2x Qbini Adj. 3000K, flood, black  
1x Qbini RT. 3000K, flood, black)

3. Select Remote Driver → Pages 5 through 7



Example: **NON-IC-RD-120-DP-010P-500-16**  
(Non-IC remote LED driver 120V 500mA 16W 0-10V/Tre 1%)

4. Select Optional Accessories → Page 8



Example: **O-HC-1.0-BL**  
(3x Honeycomb, black)

Example Order:

Qty.	Item
1	QBINI-FRAME-TL-NIC-RM-3X-DP-DE-500-BL
2	QBINI-AD-30F-DP-DE-BLS
1	QBINI-RT-1X-MG-30F-DP-DE-BLS
1	NON-IC-RD-120-DP-010P-500-16
3	O-HC-1.0-BL

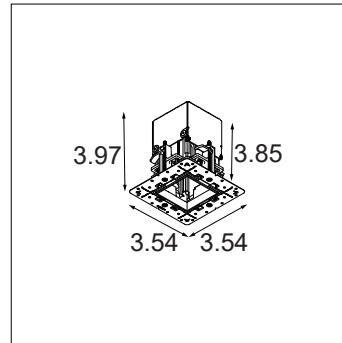
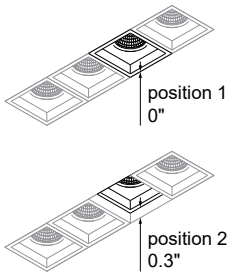
## Qbini Frame Recessed Trimless Non-IC Remodel

### Frame Specifications & Ordering Information

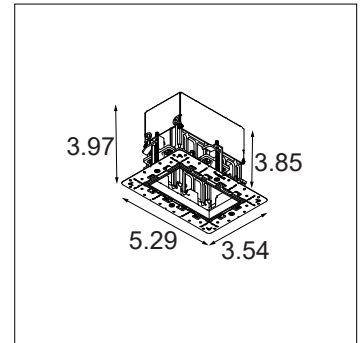
- Trimless Frame Material: PC + PBT
- Connection box material: Sheet metal (galvanized steel)
- Min Ceiling Thickness: 0.1"
- Max Ceiling Thickness: 1"
- For use only in NON-Insulation Contact (IC) installations
- Includes male connector for connection to remote driver

### Dual positioning

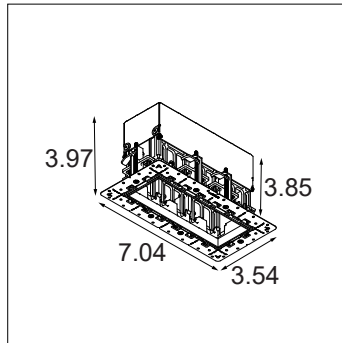
For each Lamp Module, two positions are possible:



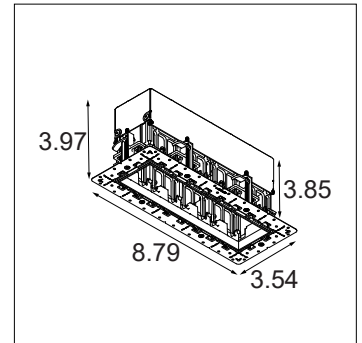
Qbini frame recessed trimless 1x



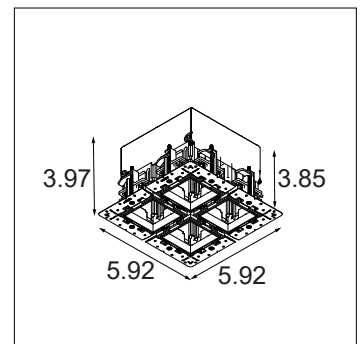
Qbini frame recessed trimless 2x



Qbini frame recessed trimless 3x



Qbini frame recessed trimless 4x



Qbini frame recessed trimless 4SQ

### Ordering Information

**QBINI-FRAME-TL-NIC-RM**

**DP-DE**

**1X** 1 Module  
**2X** 2 Module  
**3X** 3 Module  
**4X** 4 Module  
**4SQ** 4 Module

**DP-DE** Damp Location

**250** for 250mA (for WD)\*  
**500** for 500mA

**WH** White  
**BL** Black

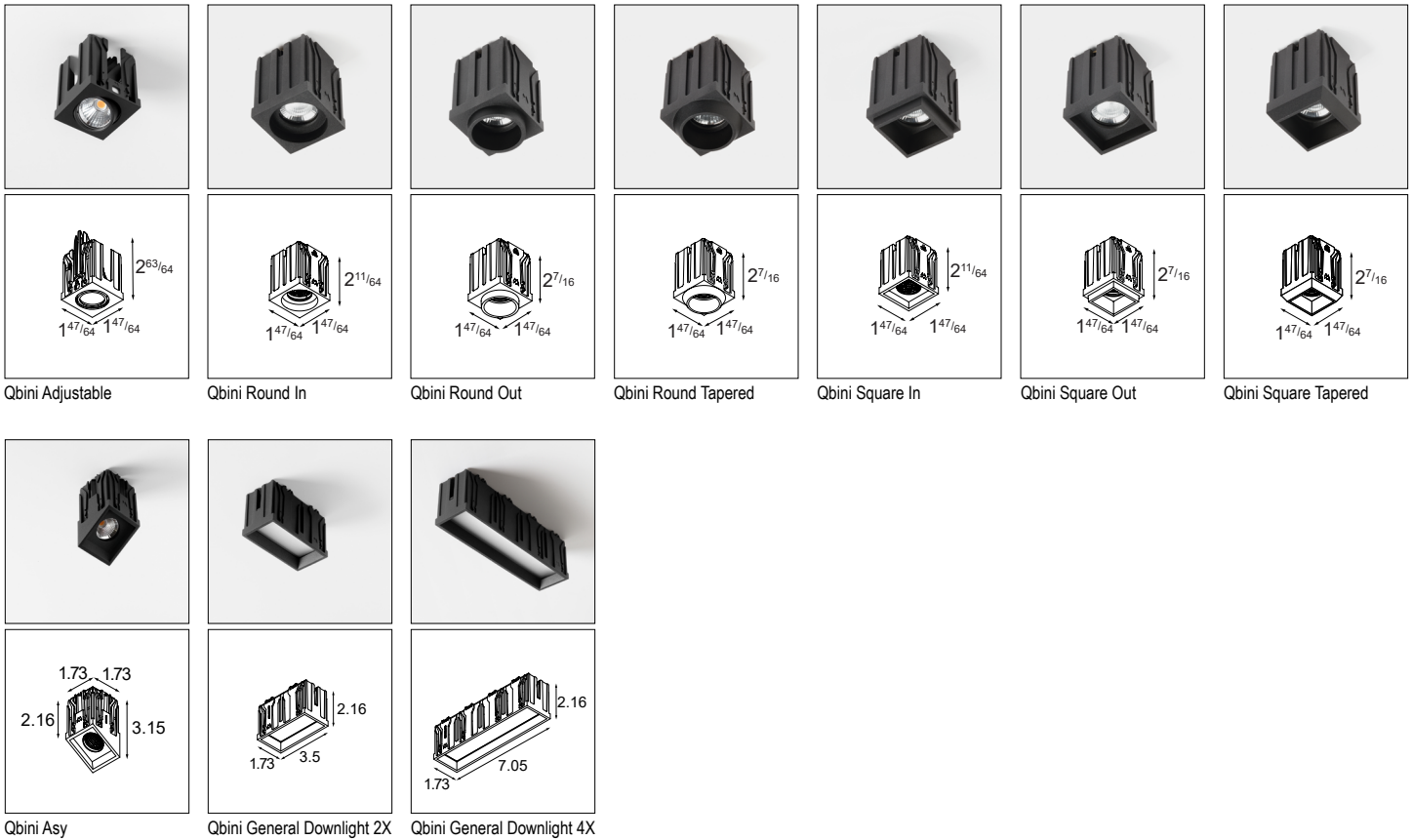
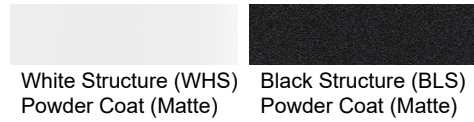
\* 250mA for Warm Dim only available for 1x and 2x configurations

## Qbini Frame Recessed Trimless Non-IC Remodel

### Lamp Specifications & Ordering Information

- Material: Cast Aluminum
- Finish: Powder Coat
- Adjustable: 350° x 30°

### Lamp Module Finish Options



## Qbini Frame Recessed Trimless Non-IC Remodel

### Lamp Specifications & Ordering Information

#### Ordering Information

<b>QBINI</b>	-	-	-	-	-	<b>DP</b>	-	<b>DE</b>	-
						<b>DP</b>	-	<b>DE</b>	-
						<b>DP</b>	-	<b>DE</b>	-
						<b>DP</b>	-	<b>DE</b>	-

Model	Beam Type	Material	Beam Angle	Temp	Beam Type	Temp	DP	DE	WHS
<b>AD-1X</b>	Adjustable	<b>blank</b> Clear Glass or frosted PMMA <sup>(2)</sup>	<b>27</b>	2700K	<b>blank</b>	not applicable	<b>DP</b> Damp Location	<b>DE</b> Driver Excluded	<b>WHS</b> White Structure
<b>RI-1X</b>	Round In	<b>FG</b> Frosted Glass <sup>(1)</sup>	<b>30</b>	3000K	<b>M</b>	Medium (26°)			<b>BLS</b> Black Structure
<b>RO-1X</b>	Round Out	<b>MG</b> Microprismatic Glass	<b>35</b>	3500K	<b>F</b>	Flood (41°)			
<b>RT-1X</b>	Round Tapered		<b>WD</b>	Warm Dim*** 3000K - 1800K	<b>WF</b>	Wide Flood (65°) <sup>(1)</sup>			
<b>SI-1X</b>	Square In								
<b>SO-1X</b>	Square Out								
<b>ST-1X</b>	Square Tapered								
<b>AY-1X</b>	Asy								
<b>GE-2X</b>	General Downlight (2X)*								
<b>GE-4X</b>	General Downlight (4X)**								

<sup>(1)</sup> Wide Flood beam angle only in combination with Frosted Glass

<sup>(2)</sup> Frosted PMMA only applies to General Downlight lamp modules

\* General 2X takes up 2 slots in the frame (cannot be combined with 1X or 4SQ frames)

\*\* General 4X takes up 4 slots in the frame (can only be combined with 4X frames)

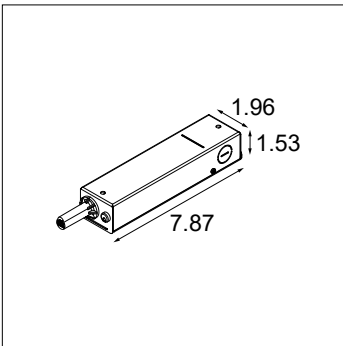
\*\*\* Warm Dim not available for General Downlight

! 1 LAMP MODULE IS NEEDED FOR EACH MODULE QUANTITY DEFINED BY THE TRIMLESS FRAME

## Qbini Frame Recessed Trimless Non-IC Remodel

### Remote Driver Specifications

- Luminaire and driver can be installed from below through the ceiling cutout
- Driver must be placed in the ceiling next to the luminaire (distance between Driver and Luminaire: min 10", max 20")
- Required height to tilt the driver through the ceiling cutout (for ceiling thickness 1/2"):
  - 6" for 1X frames
  - 4" for 2X frames
  - 3" for 3X/4X/4SQ frames
- Can only be used with frames on page 2
- For Non Insulation Contact applications only
- Material: Sheet metal (galvanized steel)
- Includes female connector for connection to frame
- See installation instructions for specific mounting requirements
- Built in electrical connection box with 3x 7/8" knockout



Non-IC Remote LED Driver

Remote Driver Information & Ordering → see next page

Example

ORDERING CODE	ART NR	DIMMING TYPE & TYPICAL DIMMING LEVEL**	DESCRIPTION	QBINI FRAME + LAMP MODULE(S)***												
				(TRIMLESS) FRAME 1x WD	(TRIMLESS) FRAME 2x WD	(TRIMLESS) FRAME 1x	(TRIMLESS) FRAME 2x	(TRIMLESS) FRAME 3x	(TRIMLESS) FRAME 4x	(TRIMLESS) FRAME 4x SQUARE						
				1x	2x	1x	2x	3x	1x	4x	2x	4x	AS/ADJUSTABLE/ ROUND/SQUARE WD			
NON-IC-RD-120-DP-010P-350-8	US_13670002	ELV/TRIAC/0-10V (ERP)	1.0%	Non-IC remote LED driver 120V 350mA 8W 0-10V/Tre 1% DI				1x	2x	3x	1x	4x		2x	4x	AS/ADJUSTABLE/ ROUND/SQUARE
									1x	1x	2x	1x				GENERAL 2L
											1x					GENERAL 4L



NON-IC-RD-120-DP-010P-350-8 is compatible with the following options:

**A** Any combination of 2 single lamp (ADJ, ASY, RI, RO, RT, SI, SO, ST) modules

OR

**B** A combination of a single lamp (ADJ, ASY, RI, RO, RT, SI, SO, ST) module plus a single General 2X lamp module

## Qbini Frame Recessed Trimless Non-IC Remodel

### Remote Driver Specifications - cntd.

#### Remote Driver Information & Ordering

ORDERING CODE	DIMMING TYPE & TYPICAL DIMMING LEVEL*	DESCRIPTION	QBINI FRAME + LAMP MODULE(S)**														
			(TRIMLESS) FRAME 1x WD	(TRIMLESS) FRAME 2x WD	(TRIMLESS) FRAME 1x	(TRIMLESS) FRAME 2x	(TRIMLESS) FRAME 3x	(TRIMLESS) FRAME 4x	(TRIMLESS) FRAME 4x SQUARE								
			1x	2x										ASY/ADJUSTABLE/ ROUND/SQUARE WD			
<b>Input: 120Vac</b>																	
<b>Output: 250mA</b>																	
	NON-IC-RD-120-DP-TE01-250-6	ELV/TRIAC	0.1%	Non-IC remote LED driver 120V 250mA 6W Tre 0.1% DI	✓												
	NON-IC-RD-120-DP-010P-250-10	ELV/TRIAC/0-10V	1.0%	Non-IC remote LED driver 120V 250mA 10W 0-10V/Tre 1% DI		✓											
<b>Output: 350mA</b>																	
	NON-IC-RD-120-DP-010P-350-8	ELV/TRIAC/0-10V	1.0%	Non-IC remote LED driver 120V 350mA 8W 0-10V/Tre 1% DI			✓		✓								
	NON-IC-RD-120-DP-010P-350-11	ELV/TRIAC/0-10V	1.0%	Non-IC remote LED driver 120V 350mA 11W 0-10V/Tre 1% DI				✓									
	NON-IC-RD-120-DP-010P-350-14	ELV/TRIAC/0-10V	1.0%	Non-IC remote LED driver 120V 350mA 14W 0-10V/Tre 1% DI					✓	✓	✓	✓	✓				
<b>Output: 500mA</b>																	
	NON-IC-RD-120-DP-010P-500-6	ELV/TRIAC/0-10V	1.0%	Non-IC remote LED driver 120V 500mA 6W 0-10V/Tre 1% DI			✓	✓									
	NON-IC-RD-120-DP-TE1-500-12	ELV/TRIAC	1.0%	Non-IC remote LED driver 120V 500mA 12W Tre 1% DI			✓		✓								
	NON-IC-RD-120-DP-010P-500-16	ELV/TRIAC/0-10V	1.0%	Non-IC remote LED driver 120V 500mA 16W 0-10V/Tre 1% DI				✓									
	NON-IC-RD-120-DP-010P-500-21	ELV/TRIAC/0-10V	1.0%	Non-IC remote LED driver 120V 500mA 21W 0-10V/Tre 1% DI						✓	✓	✓	✓	✓			
<b>Input: 277Vac</b>																	
<b>Output: 250mA</b>																	
	NON-IC-RD-277-DP-0101-250-10	0-10V	1.0%	Non-IC remote LED driver 277V 250mA 10W 0-10V 1% DI		✓											
<b>Output: 350mA</b>																	
	NON-IC-RD-277-DP-0101-350-8	0-10V	1.0%	Non-IC remote LED driver 277V 350mA 8W 0-10V 1% DI			✓		✓								
	NON-IC-RD-277-DP-0101-350-11	0-10V	1.0%	Non-IC remote LED driver 277V 350mA 11W 0-10V 1% DI				✓									
	NON-IC-RD-277-DP-0101-350-14	0-10V	1.0%	Non-IC remote LED driver 277V 350mA 14W 0-10V 1% DI						✓	✓	✓	✓	✓			
<b>Output: 500mA</b>																	
	NON-IC-RD-277-DP-0101-500-6	0-10V	1.0%	Non-IC remote LED driver 277V 500mA 6W 0-10V 1% DI			✓	✓									
	NON-IC-RD-277-DP-0101-500-16	0-10V	1.0%	Non-IC remote LED driver 277V 500mA 16W 0-10V 1% DI				✓									
	NON-IC-RD-277-DP-0101-500-21	0-10V	1.0%	Non-IC remote LED driver 277V 500mA 21W 0-10V 1% DI						✓	✓	✓	✓	✓			

\* Consult the factory for dimmer compatibility

\*\* Matrix shows combinations of modules that are compatible with various drivers. Compatibility is designated by a box denoted with an "✓"

## Qbini Frame Recessed Trimless Non-IC Remodel

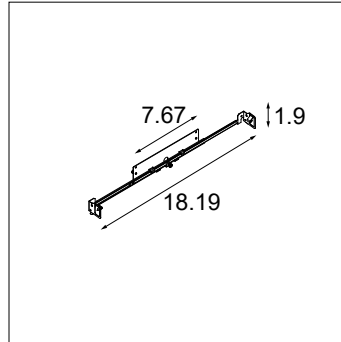
### Accessories Specifications

#### Bar Hanger for non-IC Remote Driver

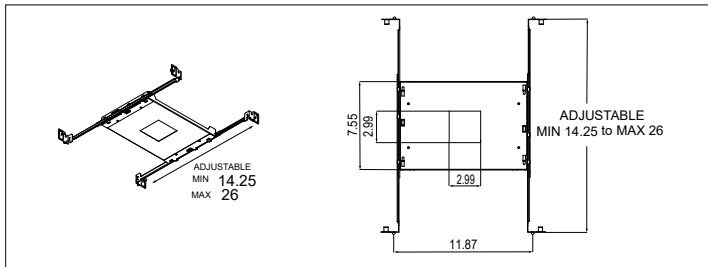
- Optional
- Attaches to the remote driver housing
- Used to span joists or attach to t-bar
- Access above ceiling is required, when the bar hanger is used

#### New Construction Frame

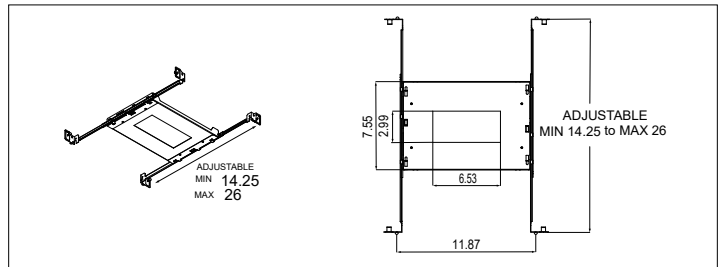
- Optional
- With cutout hole for the frame
- Used to span joists or attach to t-bar



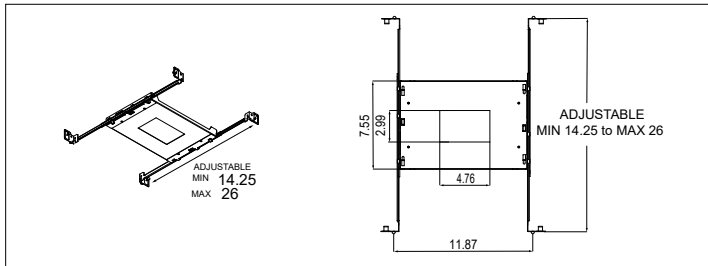
Bar Hanger for  
non-IC Remote LED Driver



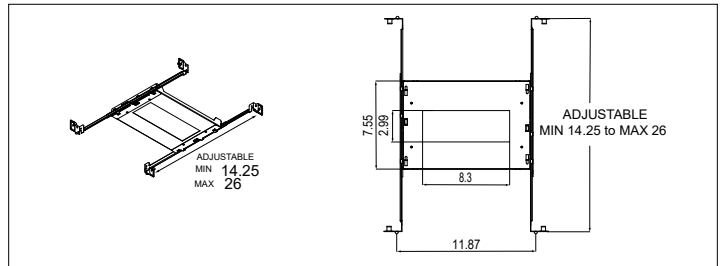
New construction frame 3.0x3.0 for Qbini frame recessed trimless 1x



New construction frame 3.0x6.5 for Qbini frame recessed trimless 3x



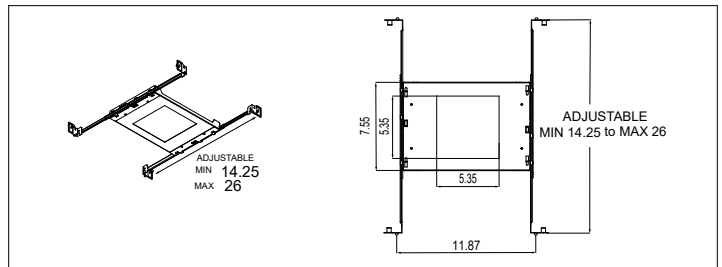
New construction frame 3.0x4.8 for Qbini frame recessed trimless 2x



New construction frame 3.0x8.3 for Qbini frame recessed trimless 4x

### Ordering Information

SELECTION	ORDERING CODE	ITEM
	BH-RD	Bar Hanger for Non-IC Remote LED Driver
	NCF-3.0x3.0	New construction frame 3.0x3.0
	NCF-3.0x4.8	New construction frame 3.0x4.8
	NCF-3.0x6.5	New construction frame 3.0x6.5
	NCF-3.0x8.3	New construction frame 3.0x8.3
	NCF-5.3x5.3	New construction frame 5.3x5.3

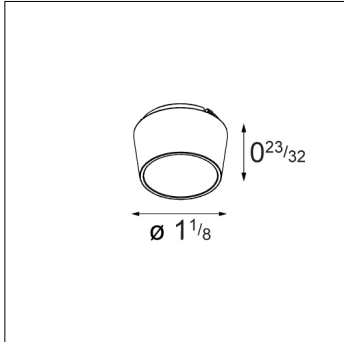


New construction frame 5.3x5.3 for Qbini frame recessed trimless 4SQ

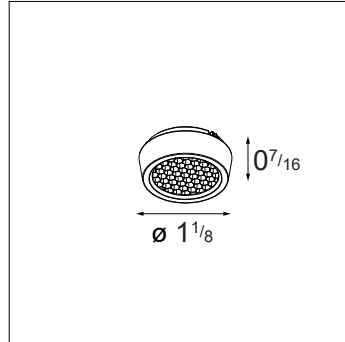
## Qbini Frame Recessed Trimless Non-IC Remodel

### Optical Accessories Specifications

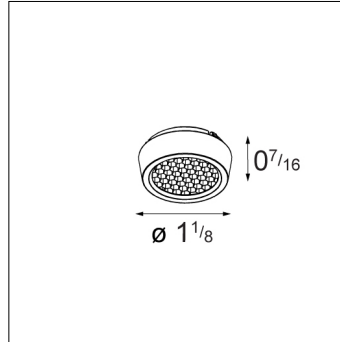
- Accessories are optional
- Accessories can installed / changed in the field
- Consult website for photometric performance
- Cannot be used with Qbini General



Snoot



Hex Louver



Crossblade Louver

### Ordering Information

<b>O</b>	-	-	<b>1.0</b>	-	<b>BL</b>
		-	<b>1.0</b>	-	<b>BL</b>

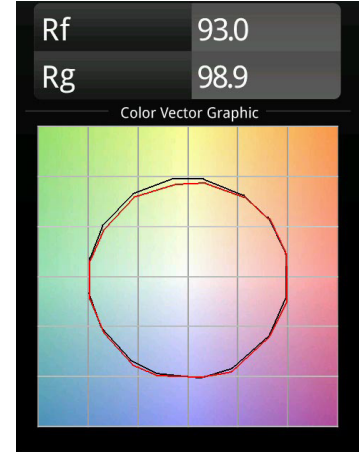
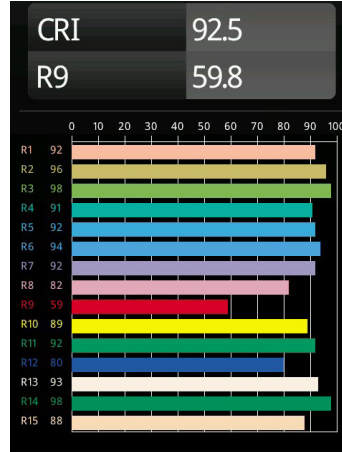
<b>O</b>	Optical	<b>CB</b>	Crossblade	<b>1.0</b>	1.0" Dia.	<b>BL</b>	Black
		<b>HC</b>	Honeycomb				
		<b>SN</b>	Snoot				



## Qbini Frame Recessed Trimless Non-IC Remodel

### Performance Specifications (per lamp module)

	Single Lamp Units	General 2X	General 4X				
Weight	0.53lbs	0.8lbs	1.45lbs				
Location	Damp						
CRI*	3000K: 92, R9: 58 Warm Dim: 96, R9: 94						
Lifetime	L80 B20 @ 50,000 hrs						
UGR	see website						
Electrical (typical)							
	Single Lamp Units			General Lamp Units (Fixed CCT)			
	Fixed CCT		Warm Dim	2X		4X	
	350mA	500mA	250mA	350mA	500mA	350mA	500mA
Vf	8.5V	8.8V	17V	12V	12V	24V	24V
Power	3W	4.4W	4.3W	4.2W	6W	8.4W	12W



\*CRI & TM-30 Value for single lamp unit in 3000K

For photometric files see website or contact factory

### Output Specifications

Reference: 3000K, 40deg (FL), 500mA, White  
Values below are typical  
( ) indicates multipliers

Shape	Reference Delivered Lumens	CCT	Optics	Current	Finish
Round In	433lm	2700K (0.96) 3000K (1.0) 3500K (1.1)	FG WF (0.76) MG F (0.97) F (1.0) MG M (0.94) M (0.94)	350mA (0.75) 500mA (1.0)	BLS (0.87) WHS (1.0)
Round Out	386lm	2700K (0.96) 3000K (1.0) 3500K (1.1)	FG WF (0.76) MG F (0.97) F (1.0) MG M (0.94) M (0.94)	350mA (0.75) 500mA (1.0)	BLS (0.87) WHS (1.0)
Round Tapered	386lm	2700K (0.96) 3000K (1.0) 3500K (1.1)	FG WF (0.76) MG F (0.97) F (1.0) MG M (0.94) M (0.94)	350mA (0.75) 500mA (1.0)	BLS (0.87) WHS (1.0)
Square In	422lm	2700K (0.96) 3000K (1.0) 3500K (1.1)	FG WF (0.76) MG F (0.97) F (1.0) MG M (0.94) M (0.94)	350mA (0.75) 500mA (1.0)	BLS (0.87) WHS (1.0)
Square Out	390lm	2700K (0.96) 3000K (1.0) 3500K (1.1)	FG WF (0.76) MG F (0.97) F (1.0) MG M (0.94) M (0.94)	350mA (0.75) 500mA (1.0)	BLS (0.87) WHS (1.0)
Square Tapered	390lm	2700K (0.96) 3000K (1.0) 3500K (1.1)	FG WF (0.76) MG F (0.97) F (1.0) MG M (0.94) M (0.94)	350mA (0.75) 500mA (1.0)	BLS (0.87) WHS (1.0)
Adjustable	430lm	2700K (0.96) 3000K (1.0) 3500K (1.1)	FG WF (0.76) MG F (0.97) F (1.0) MG M (0.94) M (0.94)	350mA (0.75) 500mA (1.0)	BLS (0.87) WHS (1.0)
ASY	428lm	2700K (1.0) 3000K (1.0) 3500K (1.0)	FG WF (0.83) MG F (1.0) F (1.0) MG M (0.97) M (0.96)	350mA (0.74) 500mA (1.0)	BLS (0.97) WHS (1.0)
General 2X	560lm	2700K (1.0) 3000K (1.0) 3500K (1.05)	N/A	350mA (0.72) 500mA (1.0)	BLS (0.84) WHS (1.0)
General 4X	1247lm	2700K (1.0) 3000K (1.0) 3500K (1.05)	N/A	350mA (0.72) 500mA (1.0)	BLS (0.87) WHS (1.0)

#### Example Calculation

To determine typical output for Round In, 2700K, Medium optic, 350mA in Black:  
 $433 \times 0.96 \times 0.94 \times 0.75 \times 0.87 = 254$  lumen

## Qbini Frame Recessed Trimless Non-IC Remodel

### Output Specifications - cntd.

( ) indicates multipliers

Shape	Reference Delivered Lumens	CCT	Optics	Current	Finish
Round In	330lm	3000K – 1800K (1.0)	FG WF (0.81) MG F (0.98) F (1.0)	250mA (1.0)	BLS (0.92) WHS (1.0)
Round Out	283lm	3000K – 1800K (1.0)	FG WF (0.76) MG F (0.98) F (1.0)	250mA (1.0)	BLS (0.81) WHS (1.0)
Round Tapered	283lm	3000K – 1800K (1.0)	FG WF (0.76) MG F (0.98) F (1.0)	250mA (1.0)	BLS (0.81) WHS (1.0)
Square In	332lm	3000K – 1800K (1.0)	FG WF (0.81) MG F (0.98) F (1.0)	250mA (1.0)	BLS (0.92) WHS (1.0)
Square Out	290lm	3000K – 1800K (1.0)	FG WF (0.77) MG F (0.97) F (1.0)	250mA (1.0)	BLS (0.85) WHS (1.0)
Square Tapered	290lm	3000K – 1800K (1.0)	FG WF (0.77) MG F (0.97) F (1.0)	250mA (1.0)	BLS (0.85) WHS (1.0)
Adjustable	330lm	3000K – 1800K (1.0)	FG WF (0.91) MG F (0.99) F (1.0)	250mA (1.0)	BLS (0.91) WHS (1.0)
ASY	251lm	3000K – 1800K (1.0)	FG WF (0.84) MG F (1.0) F (1.0)	250mA (1.0)	BLS (0.96) WHS (1.0)

### Listings and Certifications

- Damp location listed
- cUL & UL listed

### Warranty

Visit <https://www.supermodular.com/warranty>