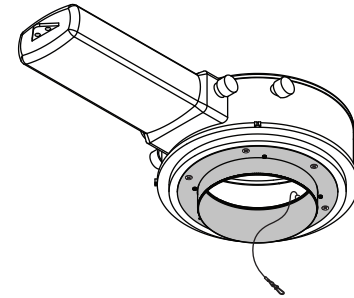
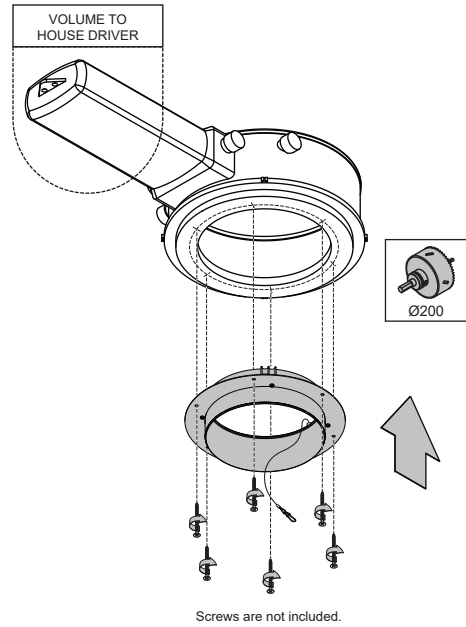
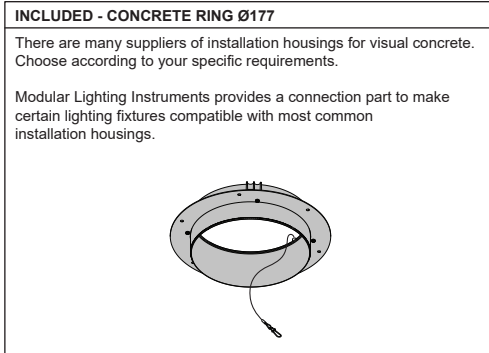
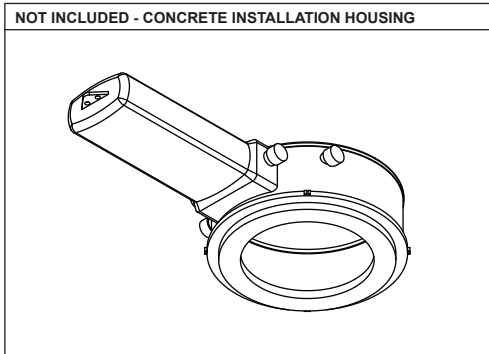


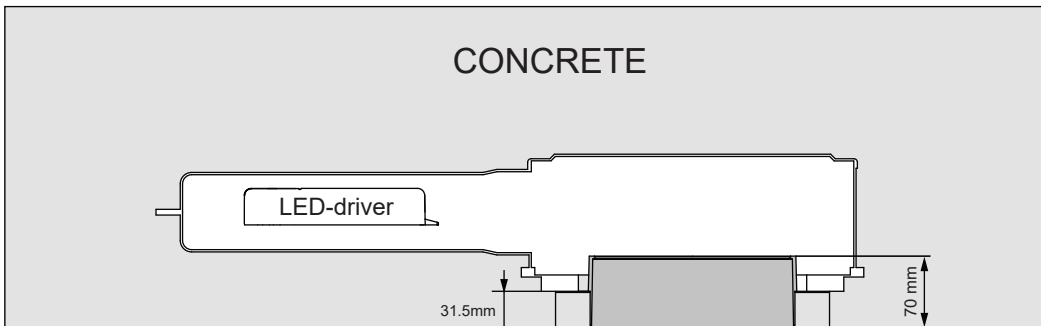
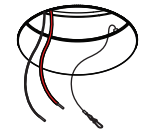
Concrete ring Ø177 for standard concrete boxes

12182330



PREVENTING INSTALLATION PROBLEMS

Visual concrete is specialist work. Respect installation instructions of your choice of manufacturer of visual concrete installation housings. Modular Lighting Instruments can not be held responsible for a bad installation.



When pouring concrete, the concrete ring should be flush and parallel with the formwork.

DRIVERS & ACCESSORIES

For latest version of driver matrix and available accessories check www.supermodular.com or connect with your sales contact.

