



MODULAR
LIGHTING
INSTRUMENTS
— by MLI NA Corporation

Project

Type

Contact

Minude Track 48V Suspended 1.8

Overview

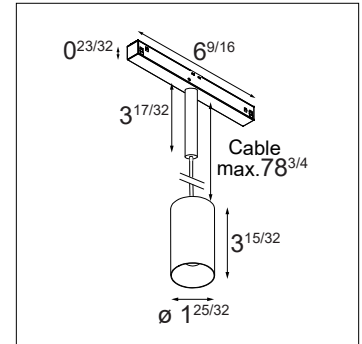
Our Pista track welcomes many of our designs to join it on its journey from room to room. The minimalistic tube of Minude Track 48V Suspended is an ideal match for Pista's slim look. So is its string of anodized colors. Click our suspended spot in the track and create lovely, intimate settings.



Minute Track 48V Suspended 1.8

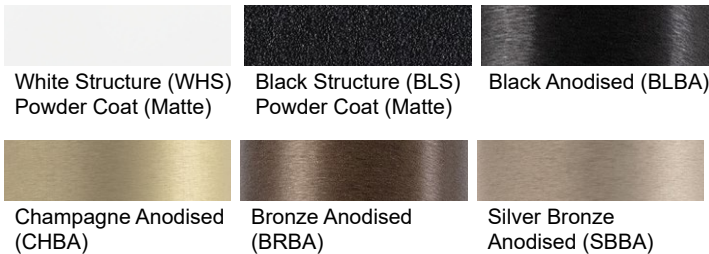
Luminaire Specifications & Ordering Information

- For use with Pista 48V track systems
- Aperture: 1.7"
- Body Material: Machined aluminum
- Finish: Powder coat or anodized
- Stem is always black when an anodized finish is used
- Cable diameter: 0.14"
- Cable color: black
- Cable length can be shortened during installation
- Fixtures attach magnetically to the track and can be moved by sliding.
- Force to remove from track: 13.5lbs



Minute Track 48V Suspended 1.8

Finish Information



Pista Track Compatibility

	SURFACE / SUSPENDED TRACK	SUSPENDED UP / DOWN TRACK		RECESSED FLANGED TRACK	RECESSED TRIMLESS TRACK
		UP PORTION	DOWN PORTION		
Minute 1.8 Susp	M		M	M	M

See separate track datasheets for track information and accessories

Ordering Information

MINUD-T48-SP-1.8-1X	M	DY	DI			
Minute Track 48V Suspended 1.8 1x	27 2700K 30 3000K 35 3500K	M Lens Medium (25°)	DY Dry Location	0101 0-10V D DALI	DI Driver Included	WHS White Structure BLS Black Structure BLBA Anodized Black BRBA Anodized Bronze CHBA Anodized Champagne SBBA Anodized Silver Bronze

Minute Track 48V Suspended 1.8

Performance Specifications (per luminaire)

Weight	0.7lbs
Location	Dry
CRI*	92, R9: 71
Lifetime	L80 B20 @ 50,000 hrs
UGR	see website

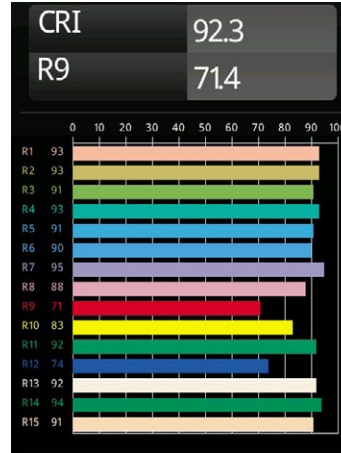
Electrical (typical)

	Dim Type	Input Voltage	Connected Load	Dimming Level***
1X	0-10V	48VDC	11W	1%
1X	DALI**	48VDC	11W	1%

* CRI & TM-30 Value for 3000K

** Compatible with Casambi Wireless Pista Module. See track datasheets for more details.

*** Consult the factory for dimmer compatibility



For photometric files see website or contact factory

Output Specifications

Performance per head
Reference is 3000K, medium beam, White
() indicates multipliers

Reference Delivered Lumens	CCT	Optics	Finish
610	2700K (0.98) 3000K (1.0) 3500K (1.06)	LM (1.0)	WHS (1.0) BLS (0.97) BLBA (0.98) BRBA (1.0) CHBA (1.01) SBBA (1.0)

Example Calculation

To determine typical output for 2700K, Medium in Black:

$$610 \times 0.98 \times 1.0 \times 0.97 = 580 \text{ lumen}$$

Listings and Certifications

- Dry location listed
- cUL & UL listed

Warranty

Visit <https://www.supermodular.com/warranty>