

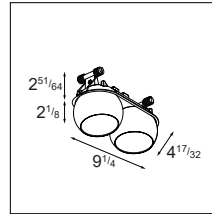
Overview



Marbul Recessed is a timeless, spherical accent luminaire. Its pure geometrical shape makes it easily fit in every interior. Partly hidden in the ceiling or wall, this somewhat flirty version presents a minimalistic, elegant and versatile design for those looking to experiment with organic lighting.

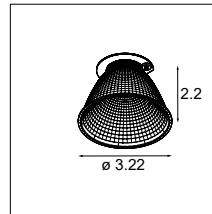
How to Specify (Example)

1. Select Lamp / Body → Page 2



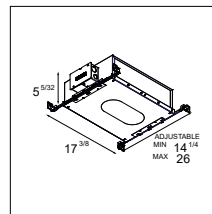
Example: **MARBU-R-A-4.5-2X-27-DP-DE-WHS**
(Marbul Recessed Adjustable 4.5 1x, 2700K, damp rated, driver excluded, white structure)

2. Select Optic → Page 3



Example: **O-MR-3.2-M-CHA**
(Magnetic reflector 3.2", medium beam, champagne)

3. Select Housing → Page 4



Example: **IC-UAT-MARBUL-2X-010P-500**
(IC rated, ultra airtight, 2 lamp, 0-10V, ELV/Triac dimming, 500mA)

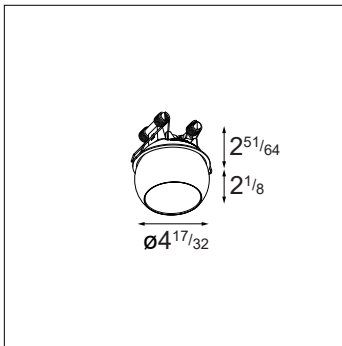
Example Order:

Qty.	Item
1	MARBU-R-A-4.5-2X-27-DP-DE-WHS
2	O-MR-3.2-M-CHA
1	IC-UAT-MARBUL-2X-010P-500

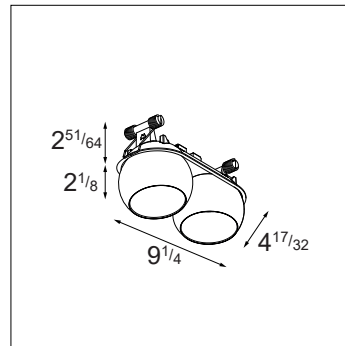
Lamp Specifications & Ordering Information

- Aperture: 3.1"
- Adjustability: 360° x 45°
- Body Material: Cast Aluminum
- Finish: Powder Coat
- Min ceiling thickness: 0.1"
- Max ceiling thickness: 1"
- Must be combined with housing

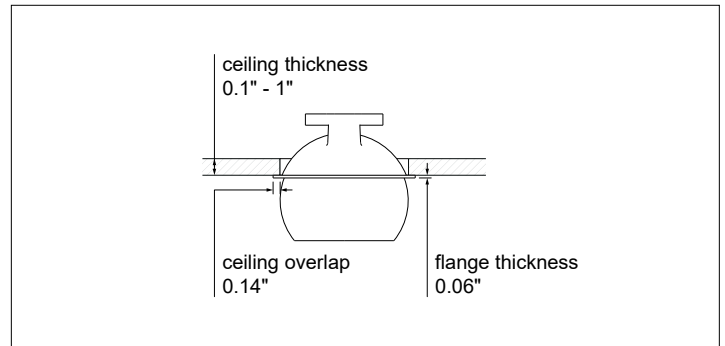
Finish Options



Marbul Recessed 1X



Marbul Recessed 2X

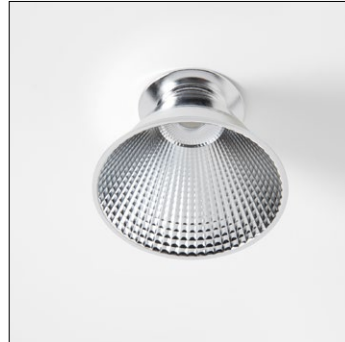
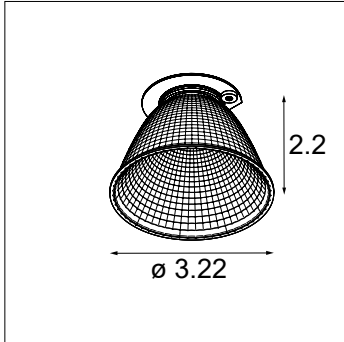


Ordering Information

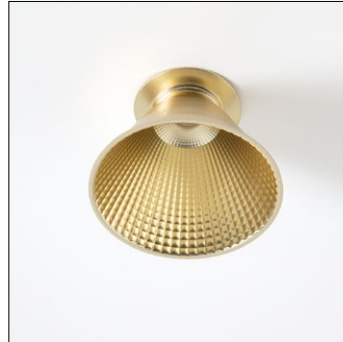
MARBU-R-A	-	4.5	-	-	-	DP	-	DE	-
Marbul Recessed Adjustable	4.5"	1X 1 Lamp	27	2700K	DP	Damp Location	DE	Driver Excluded	WHS White Structure
		2X 2 Lamp	30	3000K					BLS Black Structure
			35	3500K					DGS Donkey Gray Structure

Optics Specifications

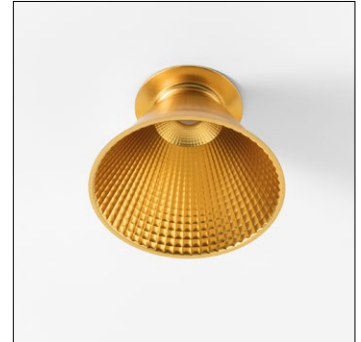
- Optic selection required for use with Marbul
- Optic needed for each lamp position (e.g. 2 reflectors needed for 2 lamp fixture)
- Optics attach magnetically and can be field installed
- Champagne and gold reflectors will warm the CCT. Contact the factory for more details.



Aluminum



Champagne



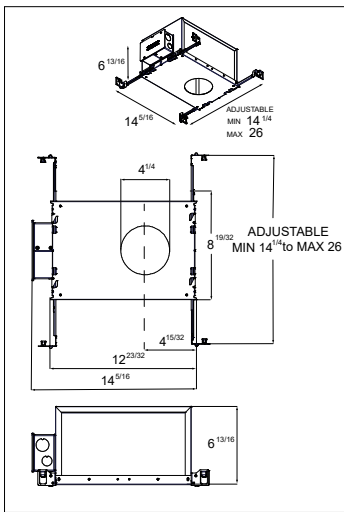
Gold

Optic Information & Ordering

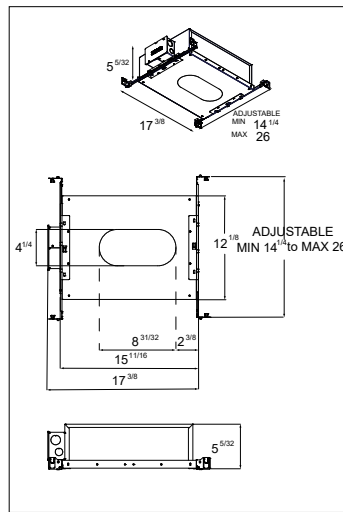
O-MR	-	3.2	-	
Optical Magnetic Reflector		3.2 3.2"		
		F Flood (40°)		ALA Aluminum
		M Medium (25°)		CHA Champagne
		SS Super Spot (10°)		GOA Gold

Housing & Driver Specifications

- Material: Sheet metal (galvanized steel)
- Driver: Included in Housing
- CCEA Chicago Plenum rated & Airtight per ASTM-E283-04 (when used with IC-UAT box)



IC-UAT 1X



IC-UAT 2X

Driver Specifications

DRIVER	OUTPUT CURRENT	INPUT VOLTAGE	DIMMING TYPE	TYPICAL DIMMING LEVEL**	CONNECTED LOAD (TYPICAL)	
					1L	2L
010P-350	350mA	120-277VAC, 120VAC*	0-10V, ELV & Triac	1%	8.5 W	17 W
010P-500	500mA	120-277VAC, 120VAC*	0-10V, ELV & Triac	1%	10.3 W	21.3 W

* Dimming via ELV and Triac only compatible at 120VAC

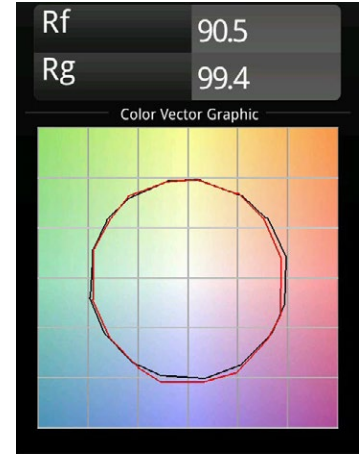
** Consult the factory for dimmer compatibility

Ordering Information

IC-UAT	-	MARBUL	-		
IC-UAT	Insulation Contact Rated, ultra air-tight		1X	Single Luminaire	010P-350 0-10V/ELV/Triac 350mA
			2X	Double Luminaire	010P-500 0-10V/ELV/Triac 500mA

Performance Specifications (per lamp module)

Weight	1X - 1.9lbs 2X - 3.6lbs			
Location	Damp			
CRI*	92, R9: 58			
Lifetime	L80 B20 @ 50.000 hrs			
UGR	see website			
Electrical (typical)				
	1X		2X	
	350mA	500mA	350mA	500mA
Vf	17.3V	17.8V	34.6V	35.6V
Power**	6W	8.9W	12W	17.8W



* CRI & TM-30 Value for 3000K, Aluminum Reflector
** LED Power. See driver/ housing section for connected load

For photometric files see website or contact factory

Output Specifications

Multiply by 2 for 2X output
Reference: 3000K, 40deg (F), Aluminum Finish, 500mA
() indicates multipliers

Reference Delivered Lumens	CCT	Optics	Current	Finish
720lm	2700K (0.88) 3000K (1.0) 3500K (1.02)	F (1.0) M (1.0) S (1.0)	350mA (0.74) 500mA (1.0)	ALA (1.0) CHA (0.85) GOA (0.74)

Example Calculation
To determine typical output for 2700K, Medium, 350mA, Champagne:
 $720 \times 0.88 \times 1.0 \times 0.74 \times 0.85 = 399 \text{ lumen}$

Listings and Certifications

- Damp location listed
- cUL & UL listed
- Title 24 JA8 certified

Warranty

Visit <https://www.supermodular.com/warranty>