

Medard Track 48V Adjustable 1.7

Overview



Thanks to its great flexibility (H360° V360°), Médard Track 48V can easily be adjusted to the needs of a space. The only spot that can be used as an uplight on our Pista magnetic track rails loves company. Combine it with Médard Track 48V downlights, or Marbulito Track 48V, or LED linear light.

Medard Track 48V Adjustable 1.7

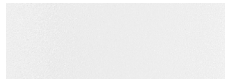
Luminaire Specifications

- For use with Pista 48V track systems
- Aperture: 1.2"
- Body material: cast aluminum
- Body finish: powder coat
- Inner glare control ring: always matte black
- Upon insertion, fixtures attach magnetically to the track
- Fixtures can be moved in the track by sliding
- Force to remove from track: 13.5lbs

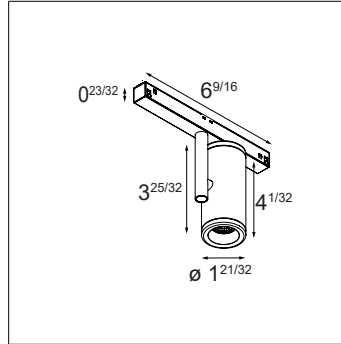
Finish Information



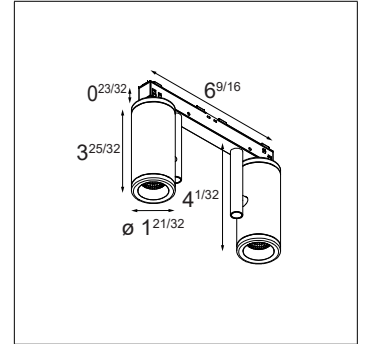
Black Structure (BLS)
Powder Coat (Matte)



White Structure (WHS)
Powder Coat (Matte)



Medard Track 48V Adjustable 1.7 1x



Medard Track 48V Adjustable 1.7 2x

Pista Track Compatibility

	Surface Track Suspended Track	Suspended Up / Down Track		Recessed Flanged Track	Recessed Trimless Track
		Up Portion	Down Portion		
Medard Track 48V Adjustable 1.7 1x	Ⓜ	Ⓜ	Ⓜ	Ⓜ	Ⓜ
Medard Track 48V Adjustable 1.7 2x	Ⓜ	Ⓜ	Ⓜ	Ⓜ	Ⓜ

See separate track datasheets for track information and accessories

Ordering Information

MEDAR-T48-A-1.7				DY		
Medard Track 48V Adjustable 1.7	1X 1 Lamp	27 2700K	F Flood (36°) ⁽²⁾	DY Dry Location	0101 0-10V	BLS Black Structure
	2X 2 Lamp	30 3000K	M Medium (25°)		D DALI	WHS White Structure
		35 3500K				
		WD Warm Dim 3000K - 1800K ⁽¹⁾				

⁽¹⁾ Warm Dim can only be combined with a Flood beam angle

⁽²⁾ Warm Dim version: 39°

Medard Track 48V Adjustable 1.7

Performance Specifications (per luminaire)

	Fixed CCT	Warm Dim
Weight (1x version)	0.4lbs	0.4lbs
Weight (2x version)	0.8lbs	0.8lbs
Adjustability	360° x 360°	360° x 360°
Location	dry	dry
CRI*	92, R9: 71	95, R9: 88
Lifetime	L80 B20 @ 50,000 hrs	L80 B20 @ 50,000 hrs
UGR	see website	see website

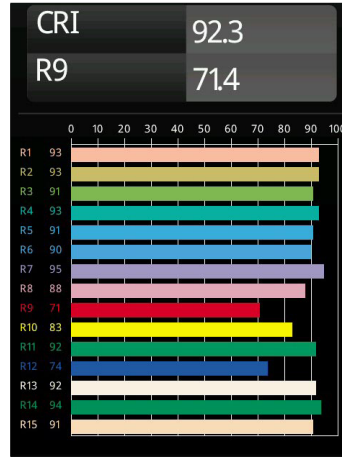
Electrical (typical)

Lamp Units	Dim Type	Input Voltage	Connected Load	Dim Level***
1x Fixed CCT	0-10V	48VDC	10.5W	1%
1x Fixed CCT	DALI**	48VDC	10.5W	1%
1x Warm Dim	0-10V	48VDC	8W	1%
1x Warm Dim	DALI**	48VDC	8W	1%
2x Fixed CCT	0-10V	48VDC	19W	1%
2x Fixed CCT	DALI**	48VDC	19W	1%
2x Warm Dim	0-10V	48VDC	14W	1%
2x Warm Dim	DALI**	48VDC	14W	1%

* CRI & TM-30 Value for 3000K

** Compatible with Casambi Wireless Pista Module. See track datasheets for more details

*** Consult the factory for dimmer compatibility



For photometric files see website or contact factory.

Output Specifications (per head)

Reference Delivered Lumens	CCT	Finish	Finish
695 (ref. 3000K, F, WHS)	2700K (0.96) 3000K (1.00) 3500K (1.02)	F (1.00) M (0.97)	BLS (1.00) WHS (1.00)
364 (ref. 3000K-1800K, F, WHS)	3000K - 1800K (1.00)	F (1.00)	BLS (1.00) WHS (1.00)

Multipliers are indicated between brackets: ()

Example calculation, to determine typical output for 2700K, Medium, Black Structure: 695 x (0.96) x (0.97) x (1.00) = 647 lumens

Listings and Certifications

- Classified: cULus
- Dry locations



Warranty

- Visit <https://www.supermodular.com/en-us/warranty>