



MODULAR
LIGHTING
INSTRUMENTS
— by MLI NA Corporation

Project

Type

Contact

Marbulito Track 48V Suspended

Overview

On our Pista track system, Marbul Track 48V Suspended adds power. With its bigger volume, it enhances the presence of our slender 48V track system. The softness of its curves adds sensuality to a space and in this pendant version, adds the flexibility of creating intimate spaces.

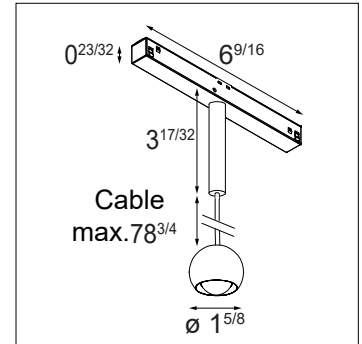


Marbulito Track 48V Suspended

Luminaire Specifications & Ordering Information

- For use with Pista 48V track systems
- Body Material: Cast Aluminum
- Finish: Powder coat
- Inner glare control ring: always matte black
- Cable diameter: 0.1"
- Cable color: black
- Cable length can be shortened during installation
- Fixtures attach magnetically to the track and can be moved by sliding.
- Force to remove from track: 13.5lbs

Finish Information



Marbulito Track 48V Suspended

Pista Track Compatibility

	SURFACE / SUSPENDED TRACK	SUSPENDED UP / DOWN TRACK		RECESSED FLANGED TRACK	RECESSED TRIMLESS TRACK
		UP PORTION	DOWN PORTION		
Marbulito Suspended	M		M	M	M

See separate track datasheets for track information and accessories

Ordering Information

MARLIT-T48-SP-1.6-1X	-	M	-	DY	-	DI	-		
Marbulito Track 48V Suspended 1.6 1x	27 2700K 30 3000K 35 3500K	M Lens Medium (25°)		DY Dry Location		0101 0-10V D DALI		DI Driver Included	WHS White Structure BLS Black Structure

Marbulito Track 48V Suspended

Performance Specifications (per luminaire)

Weight	0.4lbs
Location	Dry
CRI*	92, R9: 59
Lifetime	L80 B20 @ 50.000 hrs
UGR	see website

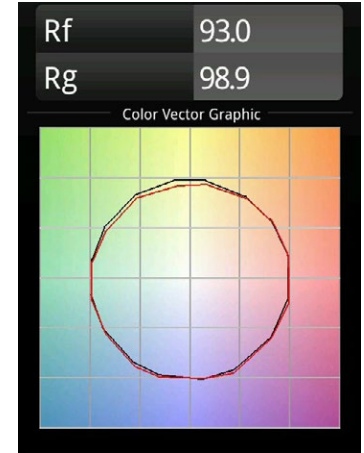
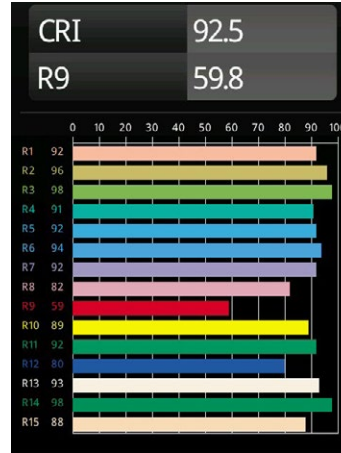
Electrical (typical)

	Dim Type	Input Voltage	Connected Load	Dimming Level***
1X	0-10V	48VDC	6.5W	1%
1X	DALI**	48VDC	6.5W	1%

* CRI & TM-30 Value for 3000K

** Compatible with Casambi Wireless Pista Module. See track datasheets for more details.

*** Consult the factory for dimmer compatibility



For photometric files see website or contact factory

Output Specifications

Performance per head
Reference is 3000K, medium beam, White
() indicates multipliers

Reference Delivered Lumens	CCT	Optics	Finish
322	2700K (1.0) 3000K (1.0) 3500K (1.0)	LM (1.0)	WHS (1.0) BLS (1.0)

Example Calculation

To determine typical output for 2700K, Medium in Black:

$$322 \times 1.0 \times 1.0 \times 1.0 = 322 \text{ lumen}$$

Listings and Certifications

- Dry location listed
- cUL & UL listed

Warranty

Visit <https://www.supermodular.com/warranty>