



| |
|---------|
| Project |
| Type |
| Contact |

Smart Lotis Recessed 1.9

Overview



Like the flower that opens up and welcomes you in, Smart Lotis Recessed brings charm to your space with a simple and elegant design. One of the three Smart designs, Smart Lotis Recessed is a popular spot for a minimalistic expression. In black and white structure and gold finish.

With an outer diameter of 1.9" and an aperture of 1.5 inches, the Smart Lotis 1.9 is compact yet powerful. From concrete ceilings to millwork, Smart 1.9 has many mounting options to fit your application.



QUICK LINKS

Page 2 - [Lamp Specification](#)

Page 3 - [Driver Integrated Housings](#)

Page 4 - [IC-UAT Housings for Remote Driver](#)

Page 4 - [Connection Box for Remote Driver](#)

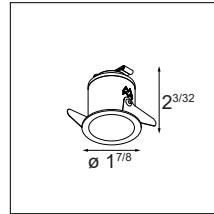
Page 5 - [Remote Driver Options for IC-UAT Housing or Connection Box](#)

Page 6 - [Accessories](#)

Page 7 - [Performance Data](#)

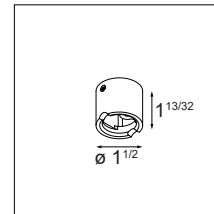
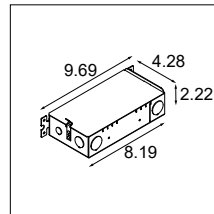
How to Specify (Example)

1. Select Lamp Module → Page 2



Example: **SMART-L-R-1.9-1X-30M-DP-DE-BLS**
(Smart Lotis Recessed 1.9, 3000K, medium, damp rated, black structure)

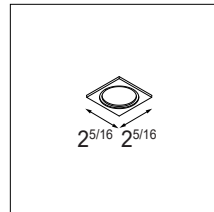
2. Select Installation Method (Remote Driver or Housing) → Page 3-4-5



Example: **NON-IC-RD-DP-010P-500-6**
(Non IC remote driver, damp rated, 0-10V/ELV/Triac, 500mA, 6W)

CB-RD-SMART-1.9-DP-500
(Connection box for remote driver, Smart 1.9, rated for 500mA)

3. Select Optional Accessories → Page 6



Example: **SMART-M-1.9-1X-BLS**
(Smart Mask 1.9, 1 lamp, black structure)

Example Order:

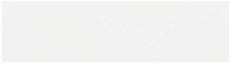


| Qty. | Item |
|------|--------------------------------|
| 1 | SMART-L-R-1.9-1X-30M-DP-DE-BLS |
| 1 | NON-IC-RD-DP-010P-500-6 |
| 1 | CB-RD-SMART-1.9-DP-500 |
| 1 | SMART-M-1.9-1X-BLS |

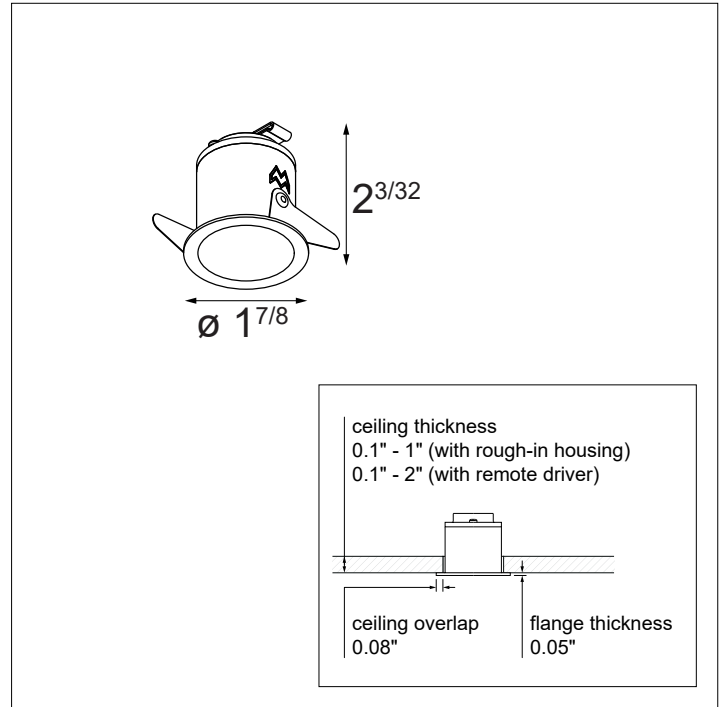
Lamp Specifications & Ordering Information

- Aperture: 1.5"
- Cutout size: Ø1.75 and Ø 1-13/16" for wood
- Trim Material: Cast Aluminum
- Trim Finish: Powder Coat or Wet Paint*
- Must be combined with Housing or connection box + remote driver

* Wet Paint is only used for the gold finish

Lamp Module Finish Options

| | | |
|--|---|---|
|  |  |  |
| White Structure (WHS) Powder Coat (Matte) | Black Structure (BLS) Powder Coat (Matte) | Gold (GOMT) Wet Paint (Matte) |



Ordering Information

| | | | | | | | |
|-----------------------------|--|----------------------------------|---|-------------------------|---------------------------|----------------------------|---|
| SMART-L-R-1.9-1X | - | - | - | - | - | DE | - |
| Smart Lotis Recessed 1.9 1x | [blank] Clear Glass ⁽¹⁾ | 27 2700K | M Medium 28 ^{(1)/(2)} | DP Damp Location | DE Driver Excluded | WHS White Structure | |
| | MPG Microprismatic Glass ⁽²⁾ | 30 3000K | | WT Wet Location | | BLS Black Structure | |
| | | 35 3500K | Warm Dim | | | GOMT Gold Matt | |
| | | WD Warm Dim 3000K - 1800K | F Flood 43 ⁽¹⁾ /44 ⁽²⁾ | | | | |

Example Ordering Code

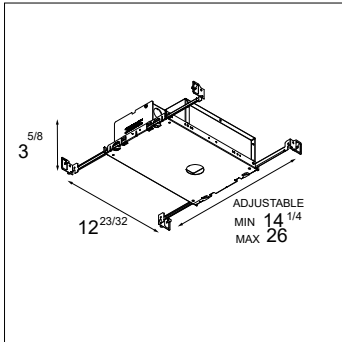
| | | | | | | | | | | |
|-------------------------|---|--|---|------------|---|-----------|---|-----------|---|------------|
| SMART-L-R-1.9-1X | - | | - | 30M | - | DP | - | DE | - | BLS |
|-------------------------|---|--|---|------------|---|-----------|---|-----------|---|------------|

Smart Lotis Recessed 1.9 1x, 3000K, medium, damp rated, driver excluded, black structure)

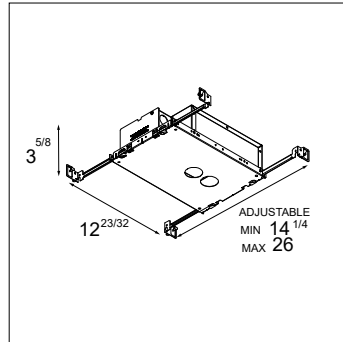
Housing & Driver Specifications

Driver Integrated Housing Options

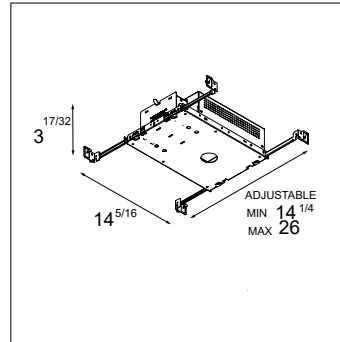
- Material: Sheet metal (galvanized steel)
- Driver: Included in Housing
- CCEA Chicago Plenum rated & Airtight per ASTM-E283-04 (when used with IC-UAT box)



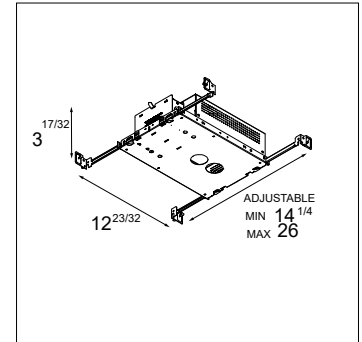
IC-UAT 1X



IC-UAT 2X



Non-IC 1X



Non-IC 2X

Driver Specifications

| DRIVER | LAMP MODULE COMPATIBILITY | OUTPUT CURRENT | INPUT VOLTAGE | DIMMING TYPE | TYPICAL DIMMING LEVEL** | CONNECTED LOAD (TYPICAL) | |
|-------------|---------------------------------|----------------|---------------------|--------------------|-------------------------|--------------------------|--------|
| | | | | | | 1X | 2X |
| 010P-350 | Fixed CCT (2700K, 3000K, 3500K) | 350mA | 120-277VAC, 120VAC* | 0-10V, ELV & Triac | 1% | | 7.5 W |
| 010P-500 | Fixed CCT (2700K, 3000K, 3500K) | 500mA | 120-277VAC, 120VAC* | 0-10V, ELV & Triac | 1% | 6 W | 10.1 W |
| 0101-EL-350 | Fixed CCT (2700K, 3000K, 3500K) | 350mA | 120-277VAC | 0-10V | 1% | 4.8 W | 8 W |
| 0101-EL-500 | Fixed CCT (2700K, 3000K, 3500K) | 500mA | 120-277VAC | 0-10V | 1% | 6.4 W | 11.3 W |
| ECO-LU-350 | Fixed CCT (2700K, 3000K, 3500K) | 350mA | 120-277VAC | Lutron Ecosystem | 0.1% | | 7.7 W |
| ECO-LU-500 | Fixed CCT (2700K, 3000K, 3500K) | 500mA | 120-277VAC | Lutron Ecosystem | 1% | | 12.6 W |
| 2W-LU-500 | Fixed CCT (2700K, 3000K, 3500K) | 500mA | 120VAC | 2-Wire (Triac) | 1% | | 13.7 W |

* Dimming via ELV and Triac only compatible at 120VAC

** Consult the factory for dimmer compatibility

Housing Ordering Information*

- **SMART-1.9** -

NON-IC Non-IC/
New Construction

IC-UAT Insulation Contact
Rated, ultra air-tight

1X Single
Luminaire

2X Double
Luminaire

010P-350 0-10V/ELV/Triac 350mA**

010P-500 0-10V/ELV/Triac 500mA

0101-EL-350 0-10V 350mA

0101-EL-500 0-10V 500mA

ECO-LU-350 Lutron Ecosystem 350mA**

ECO-LU-500 Lutron Ecosystem 500mA**

2W-LU-500 2-Wire (Triac) 500mA**

* Housings not available for Warm Dim option

** Not available for 1X version

Housing & Driver Specifications - cntd.

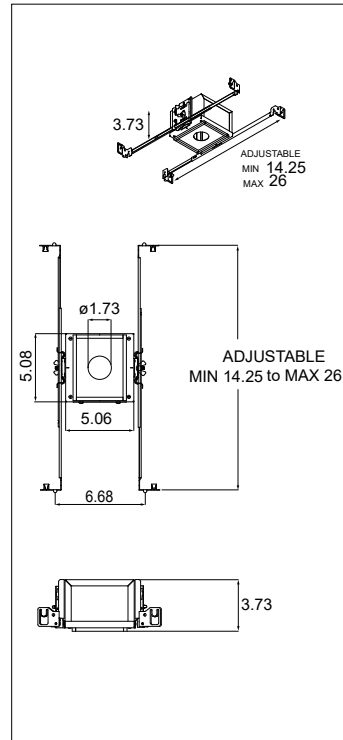
IC-UAT Housing Options for Remote Driver

- Material: Sheet metal (galvanized steel)
- Driver: Remote. Specify on page 5-6
 - Material: Sheet metal (galvanized steel)
 - Remote driver box can be bottom, side or t-bar mounted
- CCEA Chicago Plenum rated & Airtight per ASTM-E283-04
- Built in electrical connection box with 2x 7/8" knockout
- Bar hangers adjustable by 1.5" to accommodate different mounting heights or ceiling thicknesses

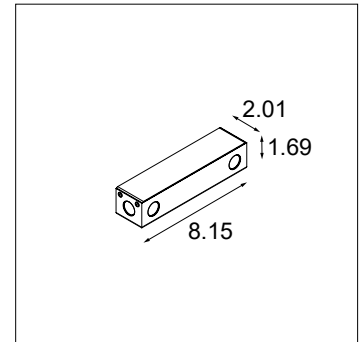
Housing Ordering Information

| SELECTION ↓ | ORDERING CODE | LAMP TYPE | COMPATIBLE DRIVE CURRENT* |
|----------------|----------------------|-----------|---------------------------|
| | ICB-SMART-1.9-RD-250 | Warm Dim | 250mA |
| | ICB-SMART-1.9-RD-500 | Fixed CCT | 350mA & 500mA |

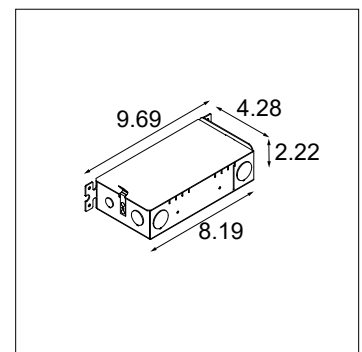
* Drive current of IC Box must match remote driver current selection on Page 5



IC-BOX Smart 1.9 1X for remote driver



Remote Driver Box 'A'



Remote Driver Box 'B'

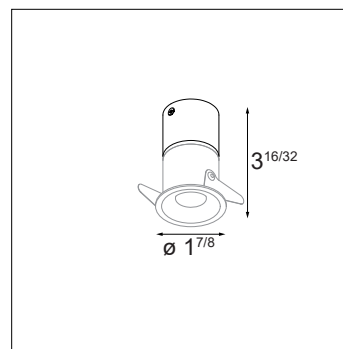
Connection Box for Remote Driver

- Connection box required for remote driver installations
- Connection box material: Aluminum
- Connection box weight: 0.12lbs
- Remote driver housing material: Sheet metal (galvanized steel)
- 500mA not for use in dwellings
- Remote driver housing can be bottom mounted, side mounted or mounted to t-bar grid.

Connection Box Ordering Information

CB-RD-SMART-1.9-DP -

- 250** For use with 250mA (warm dim) remote driver
- 350** For use with 350mA remote driver
- 500** For use with 500mA remote driver



Smart Cake 1.9 with Connection Box

Remote Driver Information & Ordering → see page 5

Remote Driver Specifications

Remote Driver Options for IC-UAT Housing or Connection Box

Remote Driver Information 'A'

| SELECTION | ORDERING CODE | DIMMING TYPE | LAMP MODULE COMPATIBILITY | OUTPUT CURRENT | INPUT VOLTAGE | TYPICAL DIMMING LEVEL | FIXTURE QUANTITY (SERIAL CONNECTION) | | | | |
|-----------|----------------|------------------------|---------------------------|----------------|---------------|-----------------------|--------------------------------------|----|----|----|----|
| | | | | | | | 1x | 2x | 3x | 4x | 5x |
| | RD-DP-TE01-250 | Trailing Edge Dimmable | Warm Dim 3000K-1800K | 250mA | 120-277VAC | 0.1% | ✓ | - | - | - | - |

Remote Driver Information 'B'

| SELECTION | ORDERING CODE | DIMMING TYPE | LAMP MODULE COMPATIBILITY | OUTPUT CURRENT | INPUT VOLTAGE | TYPICAL DIMMING LEVEL** | UL LOCATION | | | | | FIXTURE QUANTITY (SERIAL CONNECTION) | | | | |
|-----------|--------------------------|-----------------------|---------------------------------|----------------|---------------------|-------------------------|------------------|----------------------|---------|---------|---------------|--------------------------------------|----|----|----|----|
| | | | | | | | RECESSED TYPE IC | RECESSED TYPE NON-IC | SURFACE | CABINET | UNDER CABINET | 1X | 2X | 3X | 4X | 5X |
| | NON-IC-RD-DP-010P-350-8 | 0-10V, ELV & Triac | Fixed CCT (2700K, 3000K, 3500K) | 350mA | 120-277VAC, 120VAC* | 1% | - | X | X | X | X | - | ✓ | - | - | - |
| | NON-IC-RD-DP-010P-350-11 | 0-10V, ELV & Triac | Fixed CCT (2700K, 3000K, 3500K) | 350mA | 120-277VAC, 120VAC* | 1% | - | X | X | X | X | - | - | ✓ | - | - |
| | NON-IC-RD-DP-010P-350-14 | 0-10V, ELV & Triac | Fixed CCT (2700K, 3000K, 3500K) | 350mA | 120-277VAC, 120VAC* | 1% | - | X | X | X | X | - | - | - | ✓ | - |
| | NON-IC-RD-DP-010P-500-6 | 0-10V, ELV & Triac | Fixed CCT (2700K, 3000K, 3500K) | 500mA | 120-277VAC, 120VAC* | 1% | - | X | X | X | X | ✓ | - | - | - | - |
| | NON-IC-RD-DP-010P-500-16 | 0-10V, ELV & Triac | Fixed CCT (2700K, 3000K, 3500K) | 500mA | 120-277VAC, 120VAC* | 1% | - | X | X | X | X | - | - | ✓ | - | - |
| | NON-IC-RD-DP-010P-500-21 | 0-10V, ELV & Triac | Fixed CCT (2700K, 3000K, 3500K) | 500mA | 120-277VAC, 120VAC* | 1% | - | X | X | X | X | - | - | - | ✓ | - |
| | IC-RD-DP-TE1-500-12 | ELV & Triac | Fixed CCT (2700K, 3000K, 3500K) | 500mA | 120VAC | 1% | X | - | X | X | X | - | ✓ | - | - | - |
| | IC-RD-DP-TE1-500-20 | ELV & Triac | Fixed CCT (2700K, 3000K, 3500K) | 500mA | 120VAC | 1% | X | - | X | X | X | - | - | - | ✓ | - |
| | IC-RD-DP-0101-EL-350-30 | 0-10V | Fixed CCT (2700K, 3000K, 3500K) | 350mA | 120-277VAC | 1% | X | - | X | X | X | ✓ | ✓ | ✓ | ✓ | ✓ |
| | IC-RD-DP-0101-EL-500-30 | 0-10V | Fixed CCT (2700K, 3000K, 3500K) | 500mA | 120-277VAC | 1% | X | - | X | X | X | ✓ | ✓ | ✓ | ✓ | ✓ |
| | NON-IC-RD-DP-2W-LU-250 | Lutron 2-Wire (Triac) | Warm Dim 3000K-1800K | 250mA | 120VAC | 1% | - | X | X | X | X | ✓ | ✓ | - | - | - |

* Dimming via ELV and Triac only compatible at 120VAC

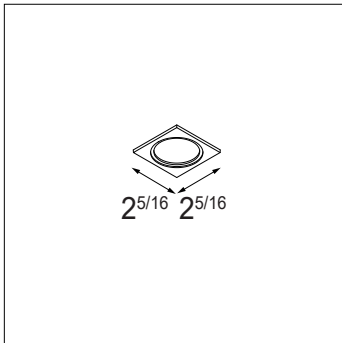
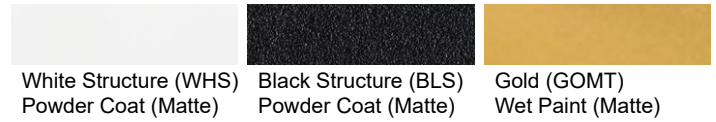
** Consult the factory for dimmer compatibility

Accessories Specifications

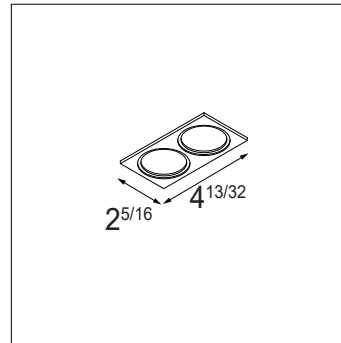
- Accessories are optional
- Mask Material: Cast Aluminum
- Mask Finish: Powder Coat or Wet Paint*
- Mask Thickness: 0.2"

* Wet Paint is only used for the gold finish

Mask Finish Options



Single Mask



Double Mask



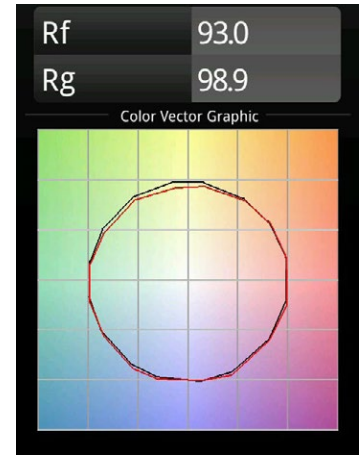
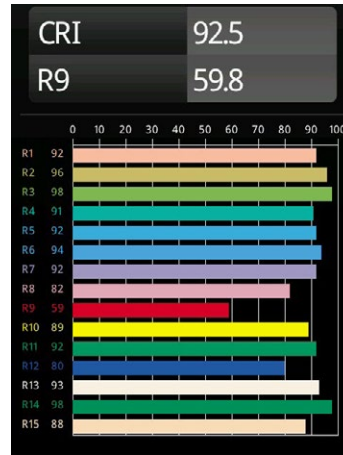
Accessories Ordering Information

SMART-M-1.9 -

| | |
|---|--|
| <p>1X Single Luminaire</p> <p>2X Double Luminaire</p> | <p>WHS White Structure</p> <p>BLS Black Structure</p> <p>GOMT Gold Matt</p> |
|---|--|

Performance Specifications (per luminaire)

| | Fixed CCT | Warm Dim |
|----------------------|----------------------|-----------|
| Weight | 0.25 lbs | |
| Cut-Out Size | 1 3/4" | |
| Location | Damp & Wet | |
| CRI* | 92, R9: 60 | 97, R: 95 |
| Lifetime | L80 B20 @ 50,000 hrs | |
| UGR | see website | |
| Electrical (typical) | | |
| | Fixed CCT | Warm Dim |
| | 350mA | 500mA |
| Vf | 8.6V | 8.6V |
| Power | 3W | 4.3W |



*CRI & TM-30 Value for 3000K

For photometric files see website or contact factory

Output Specifications

() indicates multipliers

| Reference Delivered Lumens | CCT | Optics | Current | Finish |
|------------------------------------|---|-------------------------|-----------------------------|--|
| 303 (3000K, ME, 500mA, WHS) | 2700K (0.87) 3000K (1.0) 3500K (0.91) | MPG M (1.01) M (1.0) | 350mA (0.74) 500mA (1.0) | WHS (1.0) GOMT (0.98) BLS (0.96) |
| 180 (3000K -1800K, ME, 250mA, WHS) | 3000K – 1800K (1.0) | MPG F (0.95) F (1.0) | 250mA (1.0) | WHS (1.0) GOMT (0.97) BLS (0.92) |

Example Calculation
To determine typical output for 2700K, microprismatic glass, optic medium, 350mA in gold.
 $303 \times 0.87 \times 1.01 \times 0.74 \times 0.98 = 193$ lumen

Listings and Certifications

- Damp & Wet location listed
- cUL & UL listed
- CCEA Chicago Plenum rated & Airtight per ASTM-E283-04 (when used with IC-UAT box)

Warranty

Visit <https://www.supermodular.com/warranty>