



Smart Kup Recessed 1.9

Overview



A sharp, slightly protruding rim lines the edge of Smart Kup Recessed. This versatile spot finds its place anywhere and works very well on low ceilings. One of the three Smart designs, Smart Kup Recessed is a popular spot for a minimalist expression. In black and white structure and gold finish.

With an outer diameter of 1.9" and an aperture of 1.8 inches, the Smart Kup 1.9 is compact yet powerful. From concrete ceilings to millwork, Smart 1.9 has many mounting options to fit your application.



QUICK LINKS

Page 2 - [Lamp Specification](#)

Page 3 - [Driver Integrated Housings](#)

Page 4 - [IC-UAT Housings for Remote Driver](#)

Page 4 - [Connection Box for Remote Driver](#)

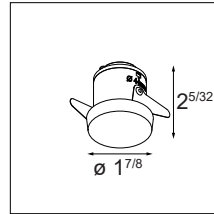
Page 5 - [Remote Driver Options for IC-UAT Housing or Connection Box](#)

Page 6 - [Accessories](#)

Page 7 - [Performance Data](#)

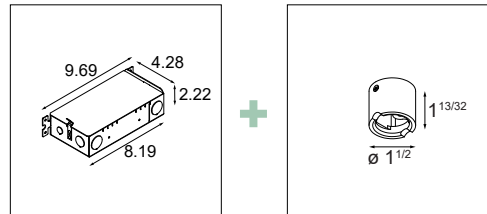
How to Specify (Example)

1. Select Lamp Module → Page 2



Example: **SMART-K-R-1.9-1X-30M-DP-DE-BLS**
(Smart Kup Recessed 1.9, 3000K, medium, damp rated, black structure)

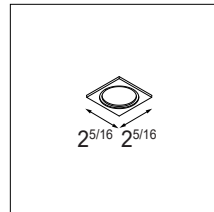
2. Select Installation Method (Remote Driver or Housing) → Page 3-4-5



Example: **NON-IC-RD-DP-010P-500-6**
(Non IC remote driver, damp rated, 0-10V/ELV/Triac, 500mA, 6W)

CB-RD-SMART-1.9-DP-500
(Connection box for remote driver, Smart 1.9, rated for 500mA)

3. Select Optional Accessories → Page 6



Example: **SMART-M-1.9-1X-BLS**
(Smart Mask 1.9, 1 lamp, black structure)

Example Order:

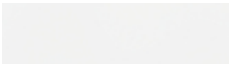


Qty.	Item
1	SMART-K-R-1.9-1X-30M-DP-DE-BLS
1	NON-IC-RD-DP-010P-500-6
1	CB-RD-SMART-1.9-DP-500
1	SMART-M-1.9-1X-BLS

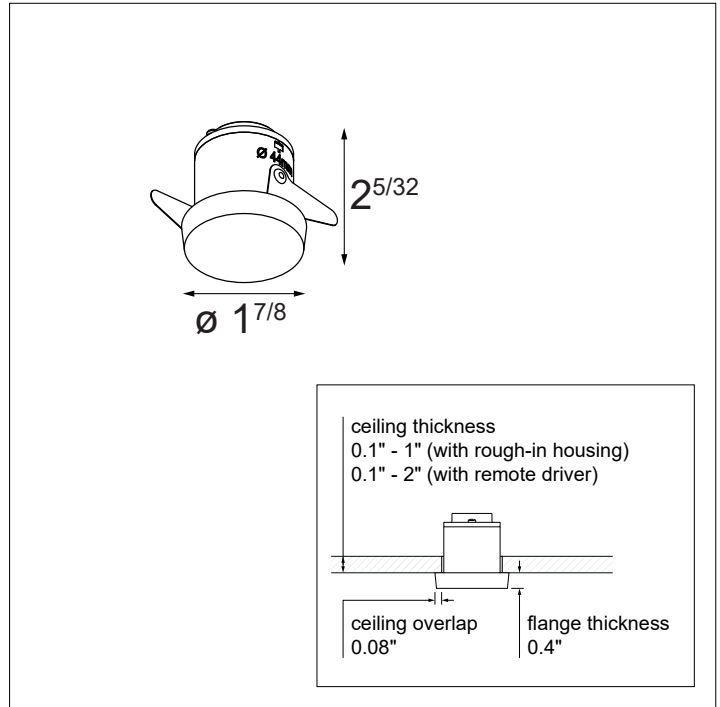
Lamp Specifications & Ordering Information

- Aperture: 1.8"
- Cutout size: Ø1.75 and Ø 1-13/16" for wood
- Trim Material: Cast Aluminum
- Trim Finish: Powder Coat or Wet Paint*
- Must be combined with Housing or connection box + remote driver

* Wet Paint is only used for the gold finish

Lamp Module Finish Options

		
White Structure (WHS) Powder Coat (Matte)	Black Structure (BLS) Powder Coat (Matte)	Gold (GOMT) Wet Paint (Matte)



Ordering Information

SMART-K-R-1.9-1X								DE	
Smart Kup Recessed 1.9 1x	[blank] Clear Glass ⁽¹⁾	27	2700K	M Medium 28 ⁽¹⁾⁽²⁾	DP Damp Location	DE Driver Excluded	WHS White Structure		
	MPG Microprismatic Glass ⁽²⁾	30	3000K		WT Wet Location		BLS Black Structure		
		35	3500K	Warm Dim			GOMT Gold Matt		
		WD	Warm Dim 3000K - 1800K	F Flood 43 ⁽¹⁾ /44 ⁽²⁾					

Example Ordering Code

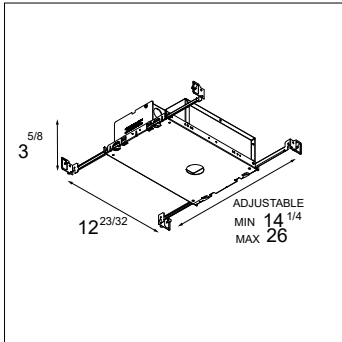
SMART-K-R-1.9-1X	-		-	30M	-	DP	-	DE	-	BLS
-------------------------	---	--	---	------------	---	-----------	---	-----------	---	------------

Smart Kup Recessed 1.9 1x, 3000K, medium, damp rated, driver excluded, black structure)

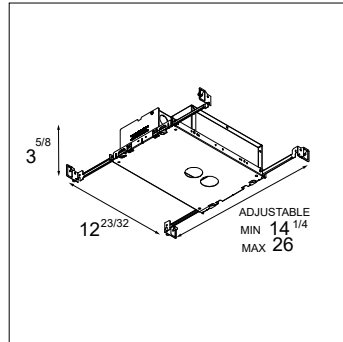
Housing & Driver Specifications

Driver Integrated Housing Options

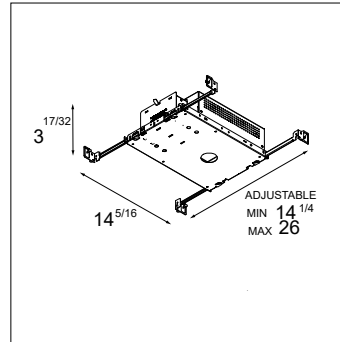
- Material: Sheet metal (galvanized steel)
- Driver: Included in Housing
- CCEA Chicago Plenum rated & Airtight per ASTM-E283-04 (when used with IC-UAT box)



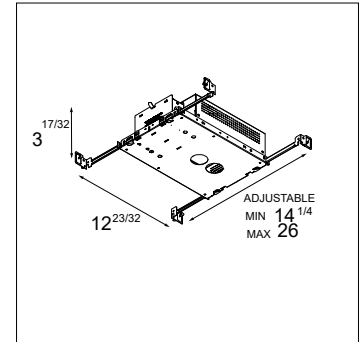
IC-UAT 1X



IC-UAT 2X



Non-IC 1X



Non-IC 2X

Driver Specifications

DRIVER	LAMP MODULE COMPATIBILITY	OUTPUT CURRENT	INPUT VOLTAGE	DIMMING TYPE	TYPICAL DIMMING LEVEL**	CONNECTED LOAD (TYPICAL)	
						1X	2X
010P-350	Fixed CCT (2700K, 3000K, 3500K)	350mA	120-277VAC, 120VAC*	0-10V, ELV & Triac	1%		7.5 W
010P-500	Fixed CCT (2700K, 3000K, 3500K)	500mA	120-277VAC, 120VAC*	0-10V, ELV & Triac	1%	6 W	10.1 W
0101-EL-350	Fixed CCT (2700K, 3000K, 3500K)	350mA	120-277VAC	0-10V	1%	4.8 W	8 W
0101-EL-500	Fixed CCT (2700K, 3000K, 3500K)	500mA	120-277VAC	0-10V	1%	6.4 W	11.3 W
ECO-LU-350	Fixed CCT (2700K, 3000K, 3500K)	350mA	120-277VAC	Lutron Ecosystem	0.1%		7.7 W
ECO-LU-500	Fixed CCT (2700K, 3000K, 3500K)	500mA	120-277VAC	Lutron Ecosystem	1%		12.6 W
2W-LU-500	Fixed CCT (2700K, 3000K, 3500K)	500mA	120VAC	2-Wire (Triac)	1%		13.7 W

* Dimming via ELV and Triac only compatible at 120VAC

** Consult the factory for dimmer compatibility

Housing Ordering Information*

- **SMART-1.9** -

NON-IC Non-IC/
New Construction

IC-UAT Insulation Contact
Rated, ultra air-tight

1X Single
Luminaire

2X Double
Luminaire

010P-350 0-10V/ELV/Triac 350mA**

010P-500 0-10V/ELV/Triac 500mA

0101-EL-350 0-10V 350mA

0101-EL-500 0-10V 500mA

ECO-LU-350 Lutron Ecosystem 350mA**

ECO-LU-500 Lutron Ecosystem 500mA**

2W-LU-500 2-Wire (Triac) 500mA**

* Housings not available for Warm Dim option

** Not available for 1X version

Housing & Driver Specifications - contd.

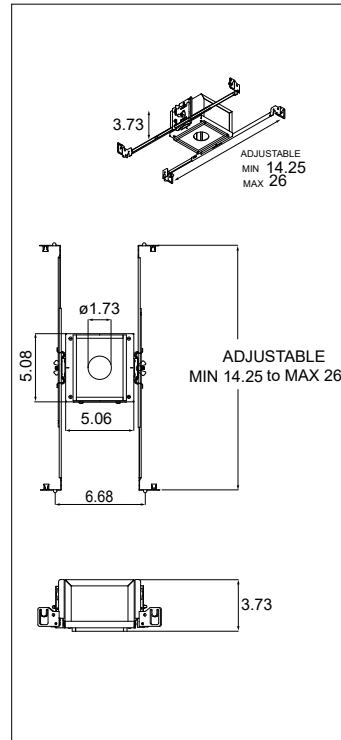
IC-UAT Housing Options for Remote Driver

- Material: Sheet metal (galvanized steel)
- Driver: Remote. Specify on page 5-6
 - Material: Sheet metal (galvanized steel)
 - Remote driver box can be bottom, side or t-bar mounted
- CCEA Chicago Plenum rated & Airtight per ASTM-E283-04
- Built in electrical connection box with 2x 7/8" knockout
- Bar hangers adjustable by 1.5" to accommodate different mounting heights or ceiling thicknesses

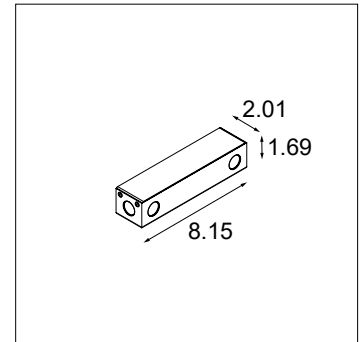
Housing Ordering Information

SELECTION ↓	ORDERING CODE	LAMP TYPE	COMPATIBLE DRIVE CURRENT*
	ICB-SMART-1.9-RD-250	Warm Dim	250mA
	ICB-SMART-1.9-RD-500	Fixed CCT	350mA & 500mA

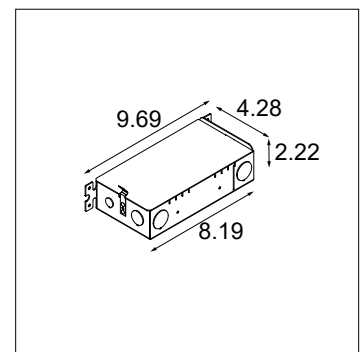
* Drive current of IC Box must match remote driver current selection on Page 5



IC-BOX Smart 1.9 1X for remote driver



Remote Driver Box 'A'



Remote Driver Box 'B'

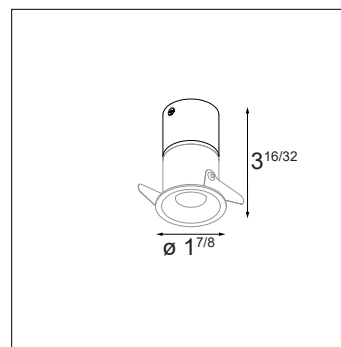
Connection Box for Remote Driver

- Connection box required for remote driver installations
- Connection box material: Aluminum
- Connection box weight: 0.12lbs
- Remote driver housing material: Sheet metal (galvanized steel)
- 500mA not for use in dwellings
- Remote driver housing can be bottom mounted, side mounted or mounted to t-bar grid.

Connection Box Ordering Information

CB-RD-SMART-1.9-DP -

- 250** For use with 250mA (warm dim) remote driver
- 350** For use with 350mA remote driver
- 500** For use with 500mA remote driver



Smart Cake 1.9 with Connection Box

Remote Driver Information & Ordering → see page 5

Remote Driver Specifications

Remote Driver Options for IC-UAT Housing or Connection Box

Remote Driver Information 'A'

SELECTION	ORDERING CODE	DIMMING TYPE	LAMP MODULE COMPATIBILITY	OUTPUT CURRENT	INPUT VOLTAGE	TYPICAL DIMMING LEVEL	FIXTURE QUANTITY (SERIAL CONNECTION)				
							1x	2x	3x	4x	5x
	RD-DP-TE01-250	Trailing Edge Dimmable	Warm Dim 3000K-1800K	250mA	120-277VAC	0.1%	✓	-	-	-	-

Remote Driver Information 'B'

SELECTION	ORDERING CODE	DIMMING TYPE	LAMP MODULE COMPATIBILITY	OUTPUT CURRENT	INPUT VOLTAGE	TYPICAL DIMMING LEVEL**	UL LOCATION					FIXTURE QUANTITY (SERIAL CONNECTION)				
							RECESSED TYPE IC	RECESSED TYPE NON-IC	SURFACE	CABINET	UNDER CABINET	1X	2X	3X	4X	5X
	NON-IC-RD-DP-010P-350-8	0-10V, ELV & Triac	Fixed CCT (2700K, 3000K, 3500K)	350mA	120-277VAC, 120VAC*	1%	-	X	X	X	X	-	✓	-	-	-
	NON-IC-RD-DP-010P-350-11	0-10V, ELV & Triac	Fixed CCT (2700K, 3000K, 3500K)	350mA	120-277VAC, 120VAC*	1%	-	X	X	X	X	-	-	✓	-	-
	NON-IC-RD-DP-010P-350-14	0-10V, ELV & Triac	Fixed CCT (2700K, 3000K, 3500K)	350mA	120-277VAC, 120VAC*	1%	-	X	X	X	X	-	-	-	✓	-
	NON-IC-RD-DP-010P-500-6	0-10V, ELV & Triac	Fixed CCT (2700K, 3000K, 3500K)	500mA	120-277VAC, 120VAC*	1%	-	X	X	X	X	✓	-	-	-	-
	NON-IC-RD-DP-010P-500-16	0-10V, ELV & Triac	Fixed CCT (2700K, 3000K, 3500K)	500mA	120-277VAC, 120VAC*	1%	-	X	X	X	X	-	-	✓	-	-
	NON-IC-RD-DP-010P-500-21	0-10V, ELV & Triac	Fixed CCT (2700K, 3000K, 3500K)	500mA	120-277VAC, 120VAC*	1%	-	X	X	X	X	-	-	-	✓	-
	IC-RD-DP-TE1-500-12	ELV & Triac	Fixed CCT (2700K, 3000K, 3500K)	500mA	120VAC	1%	X	-	X	X	X	-	✓	-	-	-
	IC-RD-DP-TE1-500-20	ELV & Triac	Fixed CCT (2700K, 3000K, 3500K)	500mA	120VAC	1%	X	-	X	X	X	-	-	-	✓	-
	IC-RD-DP-0101-EL-350-30	0-10V	Fixed CCT (2700K, 3000K, 3500K)	350mA	120-277VAC	1%	X	-	X	X	X	✓	✓	✓	✓	✓
	IC-RD-DP-0101-EL-500-30	0-10V	Fixed CCT (2700K, 3000K, 3500K)	500mA	120-277VAC	1%	X	-	X	X	X	✓	✓	✓	✓	✓
	NON-IC-RD-DP-2W-LU-250	Lutron 2-Wire (Triac)	Warm Dim 3000K-1800K	250mA	120VAC	1%	-	X	X	X	X	✓	✓	-	-	-

* Dimming via ELV and Triac only compatible at 120VAC

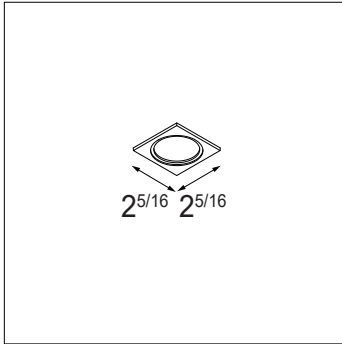
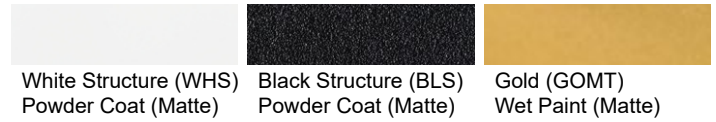
** Consult the factory for dimmer compatibility

Accessories Specifications

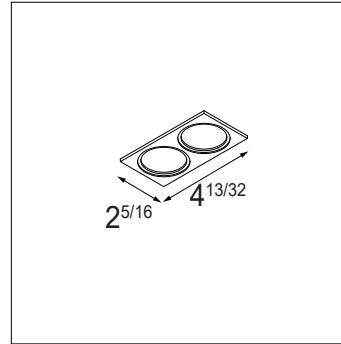
- Accessories are optional
- Mask Material: Cast Aluminum
- Mask Finish: Powder Coat or Wet Paint*
- Mask Thickness: 0.2"

* Wet Paint is only used for the gold finish

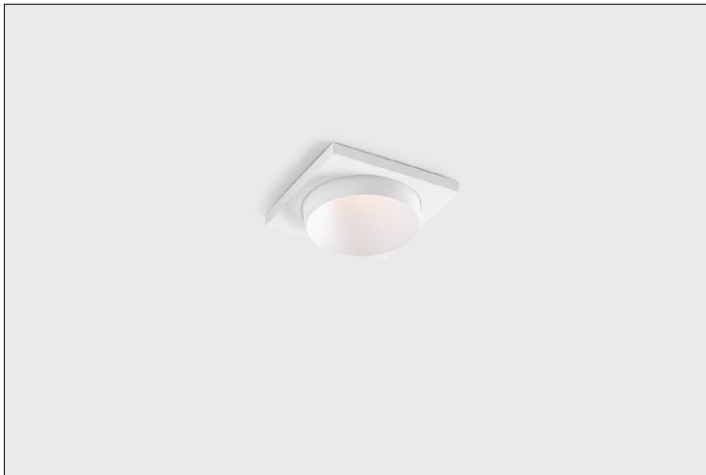
Mask Finish Options



Single Mask



Double Mask

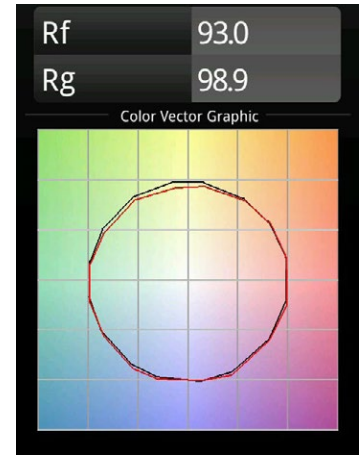
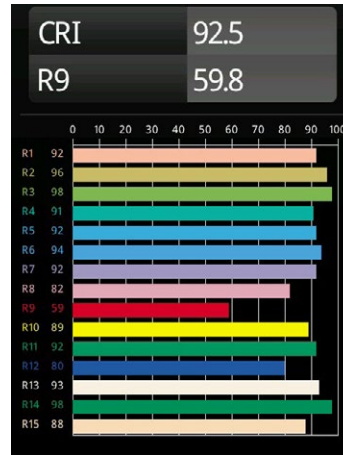


Accessories Ordering Information

SMART-M-1.9	-	-
1X	Single Luminaire	WHS White Structure
2X	Double Luminaire	BLS Black Structure
		GOMT Gold Matt

Performance Specifications (per luminaire)

	Fixed CCT	Warm Dim
Weight	0.25 lbs	
Cut-Out Size	1 3/4"	
Location	Damp & Wet	
CRI*	92, R9: 60	97, R: 95
Lifetime	L80 B20 @ 50,000 hrs	
UGR	see website	
Electrical (typical)		
	Fixed CCT	Warm Dim
	350mA	500mA
Vf	8.6V	8.6V
Power	3W	4.3W



*CRI & TM-30 Value for 3000K

For photometric files see website or contact factory

Output Specifications

() indicates multipliers

Reference Delivered Lumens	CCT	Optics	Current	Finish
311 (3000K, ME, 500mA, WHS)	2700K (0.87) 3000K (1.0) 3500K (0.91)	MPG M (1.05) M (1.0)	350mA (0.74) 500mA (1.0)	WHS (1.0) GOMT (0.97) BLS (0.90)
184 (3000K -1800K, ME, 250mA, WHS)	3000K – 1800K (1.0)	MPG F (0.83) F (1.0)	250mA (1.0)	WHS (1.0) GOMT (0.99) BLS (0.93)

Example Calculation
To determine typical output for 2700K, microprismatic glass, optic medium, 350mA in gold.
 $311 \times 0.87 \times 1.05 \times 0.74 \times 0.97 = 204$ lumen

Listings and Certifications

- Damp & Wet location listed
- cUL & UL listed
- CCEA Chicago Plenum rated & Airtight per ASTM-E283-04 (when used with IC-UAT box)

Warranty

Visit <https://www.supermodular.com/warranty>