



Smart Cake Recessed 3.2

Overview

Smooth, seductive lines curving inward, inviting you to look deeper inside Smart Cake Recessed bring you to a beautiful light source. One of the three Smart designs, Smart Cake Recessed is a popular spot for making an organic expression. In black and white structure and gold finish.

With an outer flange diameter of 3.2" and an aperture of 3.2 inches, the Smart Cake 3.2 is compact yet powerful. Made from die cast aluminum alloy and offered in a variety of finishes.



QUICK LINKS

Page 2 - [Lamp Specification](#)

Page 3 - [Driver Integrated Housings](#)

Page 4 - [Housings for Remote Driver](#)

Page 5 - [Remodel Options](#)

Page 6 - [Accessories](#)

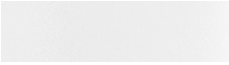


Page 7 - [Performance Data](#)

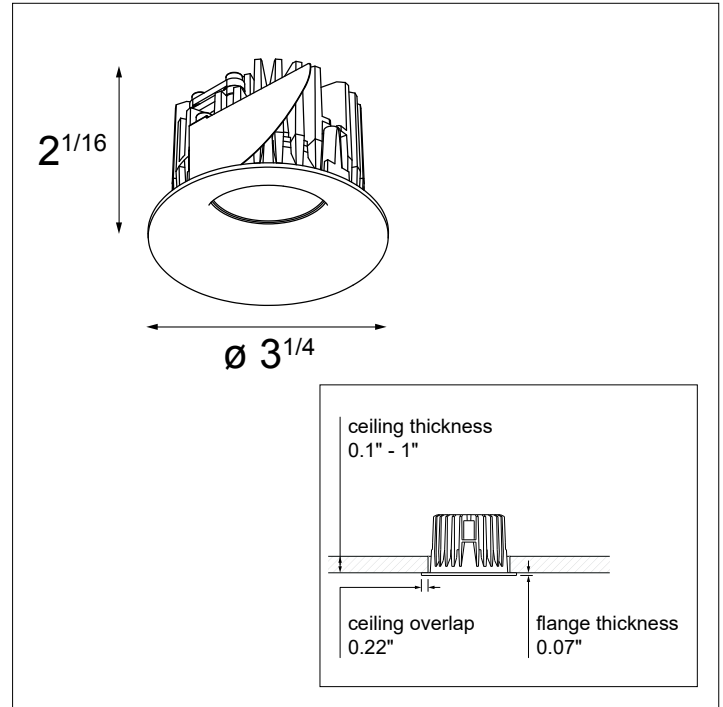
Lamp Specifications & Ordering Information

- Aperture: 3.2"
- Trim Material: Cast Aluminum
- Trim Finish: Powder Coat or Wet Paint*
- Must be combined with Housing or NON-IC Remodel Driver

* Wet Paint is only used for the gold finish

Lamp Module Finish Options

		
White Structure (WHS) Powder Coat (Matte)	Black Structure (BLS) Powder Coat (Matte)	Gold (GOMT) Wet Paint (Matte)



Ordering Information

SMART-C-R-3.2-1X				DE			
Smart Cake Recessed 3.2 1x	[blank] Clear ⁽¹⁾	27 2700K	S Spot 17° ⁽¹⁾	DP Damp Location	DE Driver Excluded	WHS White Structure	
	MPG Microprismatic Glass ⁽²⁾	30 3000K	M Medium 22° ⁽¹⁾⁽²⁾	WT Wet Location		BLS Black Structure	
	FRG Frosted Glass ⁽³⁾	35 3500K	F Flood 40° ⁽¹⁾ /38° ⁽²⁾⁽³⁾			GOMT Gold Matt	
		WD Warm Dim 3000K - 1800K	Warm Dim				
			M Medium 24° ⁽¹⁾ /32° ⁽²⁾				
			F Flood 40° ⁽¹⁾ /42° ⁽²⁾ /45° ⁽³⁾				

Example Ordering Code

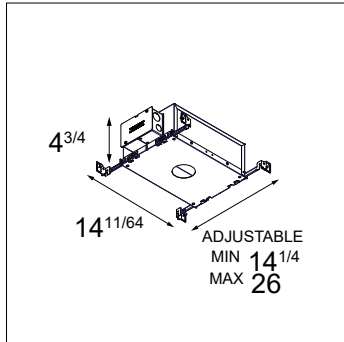
SMART-C-R-3.2-1X		30M	DP	DE	BLS
-------------------------	--	------------	-----------	-----------	------------

Smart Cake Recessed 3.2 1x, 3000K, medium, damp rated, driver excluded, black structure

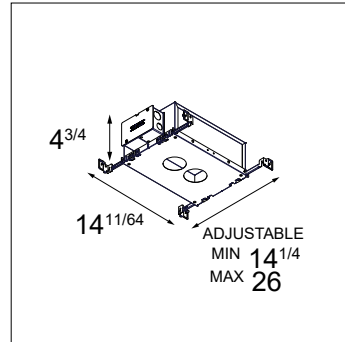
Housing & Driver Specifications

Driver Integrated Housing Options

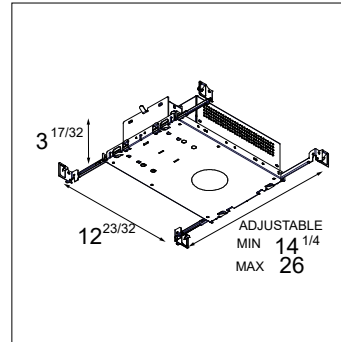
- Material: Sheet metal (galvanized steel)
- Driver: Included in Housing
- CCEA Chicago Plenum rated & Airtight per ASTM-E283-04 (when used with IC-UAT box)



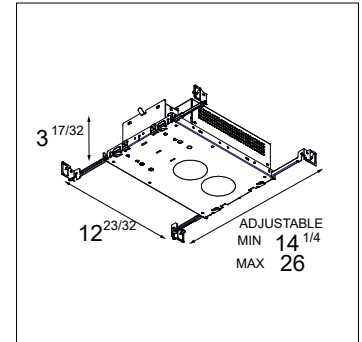
IC-UAT 1X



IC-UAT 2X



Non-IC 1X



Non-IC 2X

Driver Specifications

DRIVER	OUTPUT CURRENT	INPUT VOLTAGE	DIMMING TYPE	TYPICAL DIMMING LEVEL**	LAMP TYPE	CONNECTED LOAD (TYPICAL)	
						1X	2X
010P-500	500mA	120-277VAC, 120VAC*	0-10V, ELV & Triac	1%	Fixed CCT	10.5 W	21.5 W
0101-EL-500	500mA	120-277VAC	0-10V	1%	Fixed CCT	11.6 W	

* Dimming via ELV and Triac only compatible at 120VAC

** Consult the factory for dimmer compatibility

Housing Ordering Information

- **SMART-3.2** -

NON-IC Non-IC/
New Construction*

IC-UAT Insulation Contact
Rated, ultra air-tight

1X Single
Luminaire

2X Double
Luminaire**

010P-500 0-10V/ELV/Triac 500mA

0101-EL-500 0-10V 500mA

! not applicable for Warm Dim

* not applicable for Wet Location lamps

** only available with 010P-500 driver option

Housing & Driver Specifications - contd.

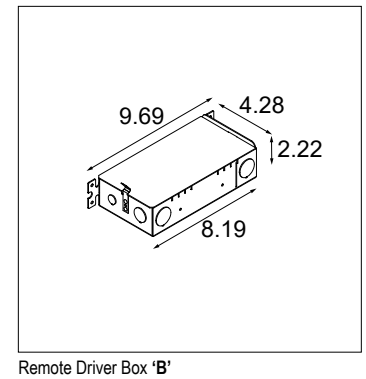
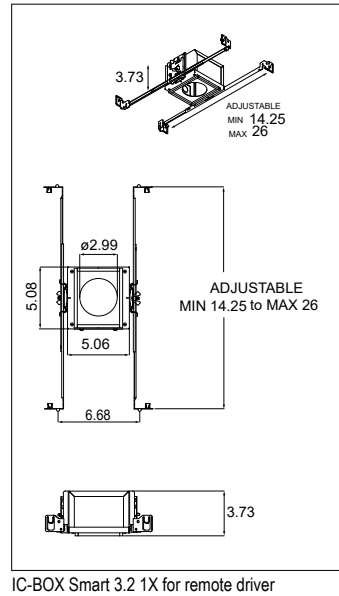
IC-UAT Housing Options for Remote Driver

- Material: Sheet metal (galvanized steel)
- Driver: Remote. Specify below
 - Material: Sheet metal (galvanized steel)
 - Remote driver box can be bottom, side or t-bar mounted
- CCEA Chicago Plenum rated & Airtight per ASTM-E283-04
- Built in electrical connection box with 2x 7/8" knockout
- Bar hangers adjustable by 1.5" to accommodate different mounting heights or ceiling thicknesses

Housing Ordering Information

SELECTION	ORDERING CODE	LAMP TYPE	COMPATIBLE DRIVE CURRENT*
↓	ICB-SMART-3.2-RD-350	Warm Dim	350mA
	ICB-SMART-3.2-RD-500	Fixed CCT	350mA & 500mA

* Drive current of IC Box must match remote driver current selection



Remote Driver Options for IC-UAT Housing

Remote Driver Information & Ordering

SELECTION	ORDERING CODE	BOX TYPE	DIMMING TYPE	TYPICAL DIMMING LEVEL**	OUTPUT CURRENT	INPUT VOLTAGE	UL LOCATION					SMART LAMP MODULE				
							RECESSED TYPE IC	RECESSED TYPE NONIC	SURFACE	CABINET UNDER CABINET	CABINET	SMART 3.2 WD		SMART 3.2		
												1X	2X	1X	2X	3X
↓	NON-IC-RD-DP-010P-350-8	B	0-10V, ELV & Triac	1%	350mA	120-277VAC, 120VAC*	-	X	X	X	X	✓	-	✓	-	-
	NON-IC-RD-DP-010P-350-11	B	0-10V, ELV & Triac	1%	350mA	120-277VAC, 120VAC*	-	X	X	X	X	-	-	-	✓	-
	NON-IC-RD-DP-010P-350-14	B	0-10V, ELV & Triac	1%	350mA	120-277VAC, 120VAC*	-	X	X	X	X	-	✓	-	✓	-
	NON-IC-RD-DP-010P-500-16	B	0-10V, ELV & Triac	1%	500mA	120-277VAC, 120VAC*	-	X	X	X	X	-	-	-	✓	-
	NON-IC-RD-DP-010P-500-21	B	0-10V, ELV & Triac	1%	500mA	120-277VAC, 120VAC*	-	X	X	X	X	-	-	-	✓	-
	IC-RD-DP-TE1-500-12	B	ELV & Triac	1%	500mA	120VAC	X	-	X	X	X	-	-	✓	-	-
	IC-RD-DP-TE1-500-20	B	ELV & Triac	1%	500mA	120VAC	X	-	X	X	X	-	-	-	✓	-
	IC-RD-DP-0101-EL-350-30	B	0-10V	1%	350mA	120-277VAC	X	-	X	X	X	✓	✓	✓	✓	✓
	IC-RD-DP-0101-EL-500-30	B	0-10V	1%	500mA	120-277VAC	X	-	X	X	X	-	-	✓	✓	✓

* Dimming via ELV and Triac only compatible at 120VAC

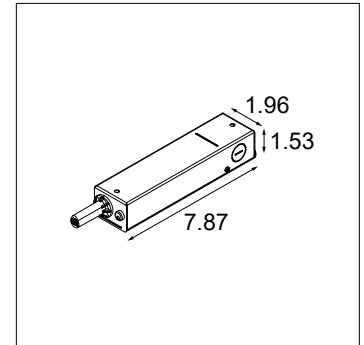
** Consult the factory for dimmer compatibility

*** Matrix shows combinations of modules that are compatible with various drivers. Compatibility is designated by a box denoted with an "✓"

Housing & Driver Specifications - cntd.

NON-IC Remodel Options

- Lamp Module and driver can be installed from below through the ceiling cutout
- Driver must be placed in the ceiling next to the Lamp Module (distance between Driver and Lamp Module: min 10", max 20")
- Required height to tilt the driver through the ceiling cutout: 6" (for ceiling thickness 1/2")
- For Non Insulation Contact applications only
- Only 1 Lamp Module per driver
- Driver: Remote. Specify below
 - Material: Sheet metal (galvanized steel)
 - Includes female connector for connection to fixture
 - See installation instructions for specific mounting requirements
- Built in electrical connection box with 3x 7/8" knockout
- Must be used with MC-RD connector (ordered separately)



Non-IC Remote LED Driver

Remote Driver Information & Ordering

SELECTION ↓	ORDERING CODE	DIMMING TYPE	TYPICAL DIMMING LEVEL**	OUTPUT CURRENT	INPUT VOLTAGE	CONNECTED LOAD		SMART LAMP MODULE	
						SMART 3.2 WD	SMART 3.2	SMART 3.2 WD 1X	SMART 3.2 1X
	NON-IC-RD-120-DP-010P-350-8	ELV/TRIAC/0-10V	1%	350mA	120VAC	9.7W	8.7W	✓	✓
	NON-IC-RD-120-DP-010P-500-9	ELV/TRIAC/0-10V	1%	500mA	120VAC	-	10.9W	-	✓
	NON-IC-RD-120-DP-010P-700-16	ELV/TRIAC/0-10V	1%	700mA	120VAC	-	15.1W	-	✓
	NON-IC-RD-277-DP-0101-350-8	0-10V	1%	350mA	277VAC	9.7W	8.7W	✓	✓
	NON-IC-RD-277-DP-0101-500-9	0-10V	1%	500mA	277VAC	-	10.9W	-	✓
	NON-IC-RD-277-DP-0101-700-16	0-10V	1%	700mA	277VAC	-	15.1W	-	✓

ACCESSORIES

Male Connector for non-IC Remote Driver

- Required
- To be connected to the Lamp Module by a contractor

Bar Hanger for non-IC Remote Driver

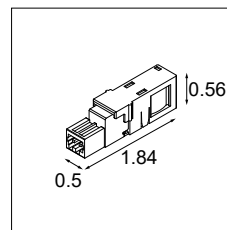
- Optional
- Attaches to the remote driver housing
- Used to span joists or attach to t-bar
- Access above ceiling is required, when the bar hanger is used

New Construction Frame

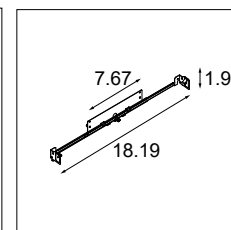
- Optional
- With cutout hole for the Lamp Module
- Used to span joists or attach to t-bar

Recessed Ring

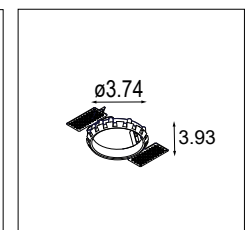
- Optional, for trim installation flush with ceiling
- Can only be used in combination with the NON-IC Remote Driver
- Can not be used in combination with the New Construction Frame



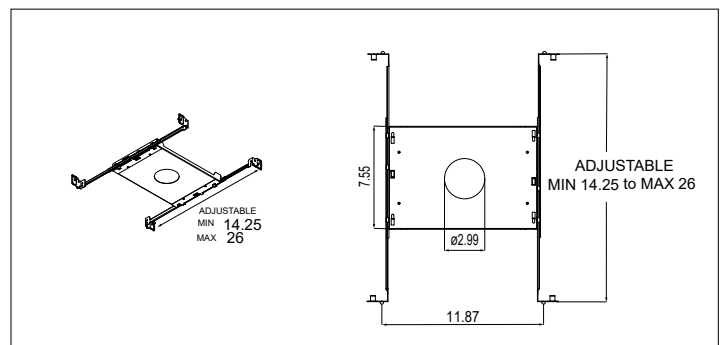
Male Connector for Non-IC Remote LED Driver



Bar Hanger for Non-IC Remote LED Driver



Recessed Ring



New Construction Frame 3.0

Ordering Information

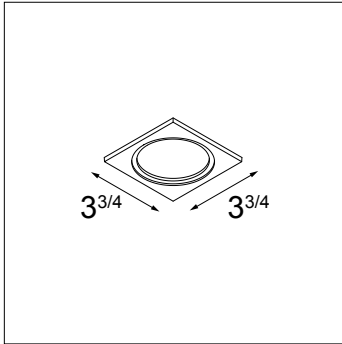
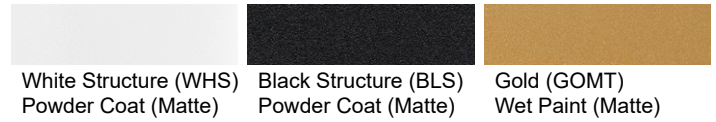
SELECTION ↓	ORDERING CODE	ITEM
	MC-RD	Male Connector for Non-IC Remote LED Driver
	BH-RD	Bar Hanger for Non-IC Remote LED Driver
	NCF-3.0	New Construction Frame 3.0
	RING-R-3.2	Recessed Ring Ø3.2

Accessories Specifications

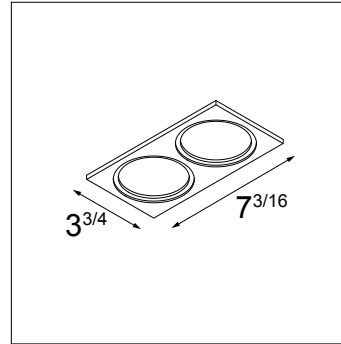
- Accessories are optional
- Mask Material: Cast Aluminum
- Mask Finish: Powder Coat or Wet Paint*
- Mask Thickness: 0.2"

* Wet Paint is only used for the gold finish

Mask Finish Options



Single Mask



Double Mask



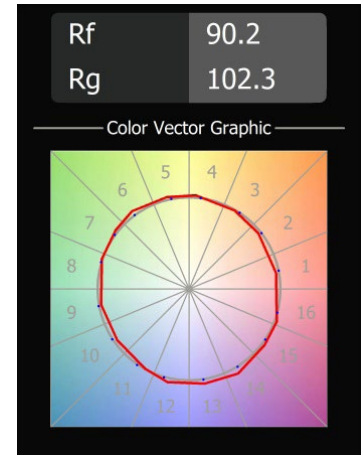
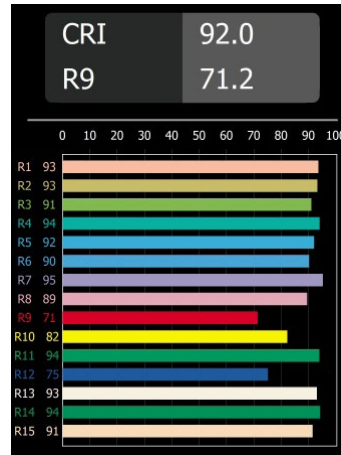
Accessories Ordering Information

SMART-M-3.2 -

<p>1X Single Luminaire</p> <p>2X Double Luminaire</p>	<p>WHS White Structure</p> <p>BLS Black Structure</p> <p>GOMT Gold</p>
---	---

Performance Specifications (per lamp)

	Fixed CCT	Warm Dim
Weight		0.5lbs
Cut-Out Size		Ø2.75"
Location		Damp & Wet
CRI*	92, R9: 71	95, R9: 88
Lifetime	L80 B20 @ 50,000 hrs	
UGR	see website	
Electrical (typical)		
	Fixed CCT	Warm Dim
	350mA 500mA 700mA	350mA
Vf	14.2V 14.4V 15.1V	17V
Power	5W 7.2W 10.6W	6W



*CRI & TM-30 Value for 3000K

For photometric files see website or contact factory

Output Specifications

Reference: 3000K, 40deg (FL), 500mA, White
Values below are typical
() indicates multipliers

Reference Delivered Lumens	CCT	Optics	Current	Finish
784	2700K (0.96) 3000K ((1.0) 3500K (1.04)	S (1.03) M (1.02) F (1.0) MPG M (0.95) MPG F (0.89) FRG F (0.81)	350mA (0.74) 500mA (1.0) 700mA (1.29)	WHS (1.0) GOMT (0.93) BLS (0.86)
429	3000K – 1800K (1.0)	M (1.01) F (1.0) MPG M (0.92) MPG F (0.91) FRG F (0.80)	350mA (1.0)	WHS (1.0) GOMT (0.95) BLS (0.88)

Example Calculation

To determine typical output for 2700K, Medium optic, 700mA in Gold:

$784 \times 0.96 \times 1.02 \times 1.29 \times 0.93 = 921$ lumen

Listings and Certifications

- cUL & UL listed
- CCEA Chicago Plenum rated & Airtight per ASTM-E283-04 (when used with IC-UAT box)

Warranty

Visit <https://www.supermodular.com/warranty>