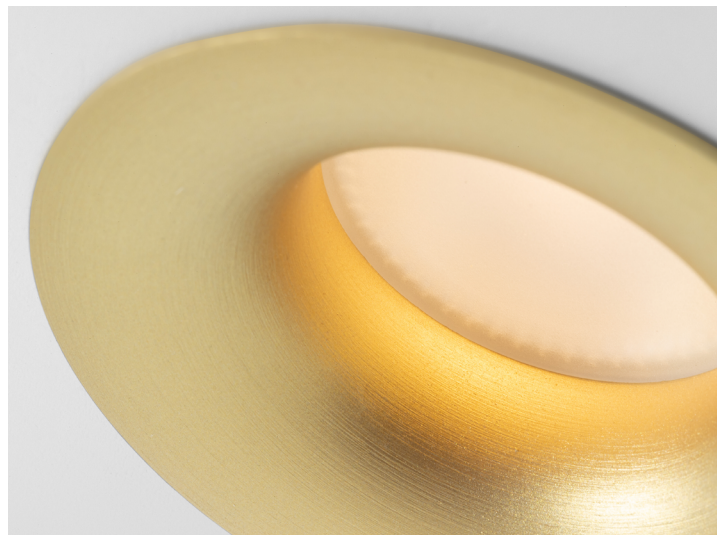


## Smart Cake Recessed 3.2

### Overview

Smooth, seductive lines curving inward, inviting you to look deeper inside Smart Cake Recessed bring you to a beautiful light source. One of the three Smart designs, Smart Cake Recessed is a popular spot for making an organic expression. In black and white structure, gold and several brushed finishes.

With an outer flange diameter of 3.2" and an aperture of 3.2 inches, the Smart Cake 3.2 is compact yet powerful. Made from die cast aluminum alloy and offered in a variety of finishes.



### QUICK LINKS

Page 2 [Lamp Specifications](#)

Page 3 [Driver Included Housings Options](#)

Page 4 [Housing Options for Remote Driver](#)

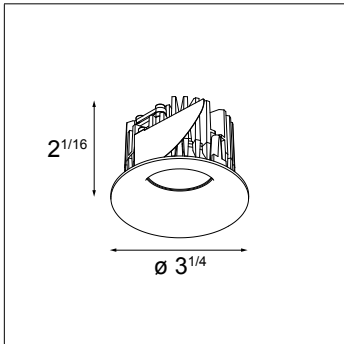
Page 5 [Remodel Options](#)

Page 6 [Accessories](#)

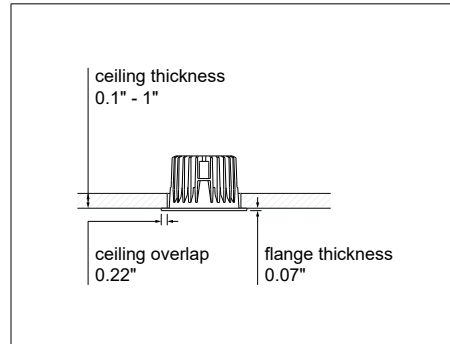
Page 7 [Performance Data](#)

### Lamp Specifications

- Aperture: 3.2"
- Trim material: cast aluminum
- Trim finish: powder coat or wet paint
- Must be combined with Housing for new construction or NON-IC Remote Driver for remodel work
- Can optionally be combined with Mask



Smart Cake 3.2

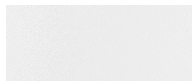


Flange Information

### Finish Information



**Black Structure (BLS)**  
Powder Coat (Matte)



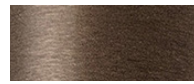
**White Structure (WHS)**  
Powder Coat (Matte)



**Gold (GOMT)**  
Wet Paint (Matte)



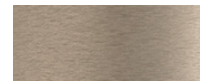
**Black (BLBR)**  
Wet Paint (Brushed)



**Bronze (BRBR)**  
Wet Paint (Brushed)



**Champagne (CHBR)**  
Wet Paint (Brushed)



**Silver Bronze (SBBR)**  
Wet Paint (Brushed)

### Ordering Information

<b>SMART-C-R-3.2-1X</b>		-		-		-	<b>DE</b>	-			
<b>SMART-C-R-3.2-1X</b>	Smart Cake Recessed 3.2	<b>MG</b>	Microprismatic Glass	<b>27</b>	2700K	<b>F</b>	Flood (39°) <sup>(2)</sup>	<b>DP</b>	Damp Location	<b>BLS</b>	Black Structure
		<b>FG</b>	Frosted Glass <sup>(1)</sup>	<b>30</b>	3000K	<b>M</b>	Medium (22°)	<b>WT</b>	Wet Location	<b>WHS</b>	White Structure
				<b>35</b>	3500K	<b>S</b>	Spot (17°)			<b>GOMT</b>	Gold Matte
		<b>WD</b>	Warm Dim 3000K - 1800K			<b>WD versions</b>				<b>BLBR</b>	Black Brushed
						<b>F</b>	Flood (40°) <sup>(3)</sup>			<b>BRBR</b>	Bronze Brushed
						<b>M</b>	Medium (28°)			<b>CHBR</b>	Champagne Brushed
										<b>SBBR</b>	Silver Bronze Brushed

<sup>(1)</sup> Frosted Glass can only be combined with a Flood beam angle

<sup>(2)</sup> Frosted Glass version: 35°

<sup>(3)</sup> Frosted Glass version: 46°

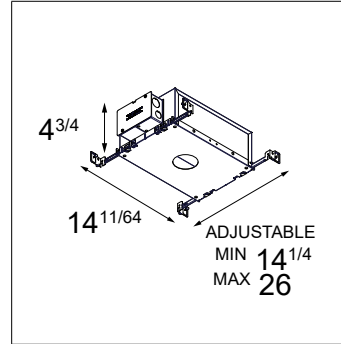
### Driver Included Housing Options

#### IC-UAT Housing

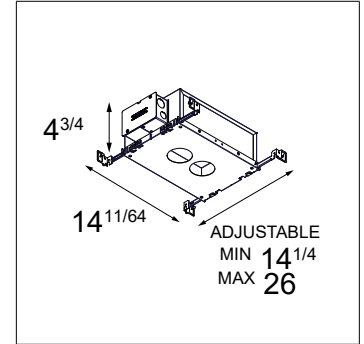
- Material: sheet metal (galvanized steel)
- Driver: included in the housing
- Suitable for 1 lamp unit (1X versions) or 2 lamp units (2X versions)
- IC (insulation contact) rated
- CCEA Chicago Plenum rated & Airtight per ASTM-E283-04
- Not compatible with warm dim lamp units (WD versions)

#### Non-IC Housing

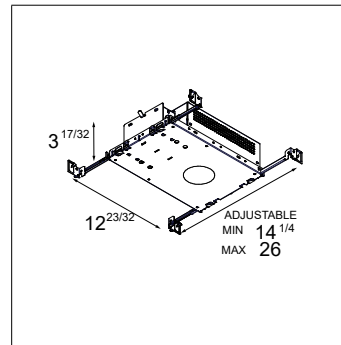
- Material: sheet metal (galvanized steel)
- Driver: included in the housing
- Suitable for 1 lamp unit (1X versions) or 2 lamp units (2X versions)
- For Non-IC (non insulation contact) applications only
- Not compatible with warm dim lamp units (WD versions)
- Not compatible with wet location rated lamp units (WT versions)



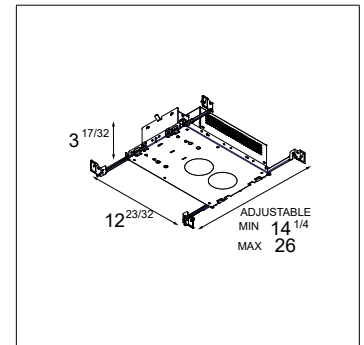
IC-UAT Housing 1X



IC-UAT Housing 2X



Non-IC Housing 1X



Non-IC Housing 2X

### Driver Included Housing Specifications & Ordering Information

Ordering Code	Version	Input	Output	Dim <sup>(6)</sup>	Lamp Type	Connected Load
IC-UAT-SMART-3.2-1X-010P-500	IC-UAT Housing 1X	120-277VAC <sup>(5)</sup>	500mA DC	0-10V, ELV & Triac - 1%	Fixed CCT	10.5W
IC-UAT-SMART-3.2-1X-0101-EL-500	IC-UAT Housing 1X	120-277VAC	500mA DC	0-10V - 1%	Fixed CCT	11.6W
IC-UAT-SMART-3.2-2X-010P-500	IC-UAT Housing 2X	120-277VAC <sup>(5)</sup>	500mA DC	0-10V, ELV & Triac - 1%	Fixed CCT	21.5W
NON-IC-SMART-3.2-1X-010P-500	Non-IC Housing 1X <sup>(4)</sup>	120-277VAC <sup>(5)</sup>	500mA DC	0-10V, ELV & Triac - 1%	Fixed CCT	10.5W
NON-IC-SMART-3.2-1X-0101-EL-500	Non-IC Housing 1X <sup>(4)</sup>	120-277VAC	500mA DC	0-10V - 1%	Fixed CCT	11.6W
NON-IC-SMART-3.2-2X-010P-500	Non-IC Housing 2X <sup>(4)</sup>	120-277VAC <sup>(5)</sup>	500mA DC	0-10V, ELV & Triac - 1%	Fixed CCT	21.5W

<sup>(4)</sup> Not compatible with wet location rated lamp units (WT versions)

<sup>(5)</sup> Dimming via ELV & Triac only compatible at 120VAC input

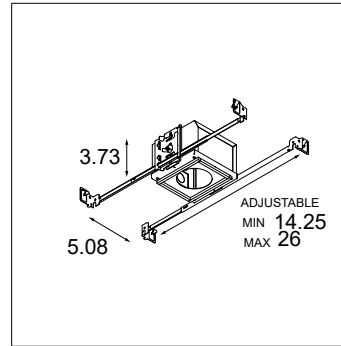
<sup>(6)</sup> Consult the factory for dimmer compatibility

[quick links](#)

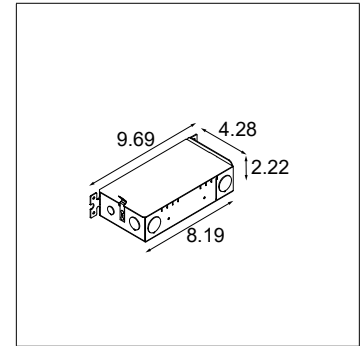
### Housing Options for Remote Driver

#### IC-UAT Housing for Remote Driver

- Material: sheet metal (galvanized steel)
- Driver: not included in the housing
- Each lamp unit needs its own housing
- IC (insulation contact) rated
- CCEA Chicago Plenum rated & Airtight per ASTM-E283-04
- 2 knockout holes for low-voltage conduit or cable connection
- Bar hangers adjustable in height by 1.5" for different mounting heights
- Must be combined with Remote Driver (specify at the bottom of the page)



IC-UAT Housing For Remote Driver



Remote Driver "A"

#### Remote Driver

- Material: sheet metal (galvanized steel)
- Class 2 constant current power supply
- Multiple lamp units can be connected in series to a single driver
- Box can be bottom, side or t-bar mounted
- 4 knockout holes for line voltage conduit or cable connection
- 4 knockout holes for low-voltage conduit or cable connection
- May be placed up to 50ft away using 16AWG wire
- Suitable for damp locations

### Housing Specifications & Ordering Information

Ordering Code	Version	Compatible Drive Current <sup>(7)</sup>	Compatible Lamp Type
ICB-SMART-3.2-RD-500	IC-UAT Housing for Remote Driver	350mA DC & 500mA DC	Fixed CCT
ICB-SMART-3.2-RD-350	IC-UAT Housing for Remote Driver	350mA DC	Warm Dim

<sup>(7)</sup> Housing compatible drive current must match Remote Driver output

### Remote Driver Specifications & Ordering Information

Ordering Code	Version	Input	Output	Dim <sup>(6)</sup>	Driver Location				Lamp Units <sup>(8)</sup>	
					Recessed IC	Recessed Non-IC	Surface Cabinet	Under Cabinet	Fixed CCT	Warm Dim
IC-RD-DP-0101-EL-350-30	Remote Driver "A"	120-277VAC	350mA DC	0-10V - 1%	☹	☹	☹	☹	1 - 3	1 - 2
NON-IC-RD-DP-010P-350-8	Remote Driver "A"	120-277VAC <sup>(5)</sup>	350mA DC	0-10V, ELV & Triac - 1%	☹	☹	☹	☹	1	1
NON-IC-RD-DP-010P-350-11	Remote Driver "A"	120-277VAC <sup>(5)</sup>	350mA DC	0-10V, ELV & Triac - 1%	☹	☹	☹	☹	2	
NON-IC-RD-DP-010P-350-14	Remote Driver "A"	120-277VAC <sup>(5)</sup>	350mA DC	0-10V, ELV & Triac - 1%	☹	☹	☹	☹	2	2
IC-RD-DP-0101-EL-500-30	Remote Driver "A"	120-277VAC	500mA DC	0-10V - 1%	☹	☹	☹	☹	1 - 3	
IC-RD-DP-TE1-500-12	Remote Driver "A"	120VAC	500mA DC	ELV & Triac - 1%	☹	☹	☹	☹	1	
IC-RD-DP-TE1-500-20	Remote Driver "A"	120VAC	500mA DC	ELV & Triac - 1%	☹	☹	☹	☹	2	
NON-IC-RD-DP-010P-500-16	Remote Driver "A"	120-277VAC <sup>(5)</sup>	500mA DC	0-10V, ELV & Triac - 1%	☹	☹	☹	☹	2	
NON-IC-RD-DP-010P-500-21	Remote Driver "A"	120-277VAC <sup>(5)</sup>	500mA DC	0-10V, ELV & Triac - 1%	☹	☹	☹	☹	2	

<sup>(5)</sup> Dimming via ELV & Triac only compatible at 120VAC input

<sup>(6)</sup> Consult the factory for dimmer compatibility

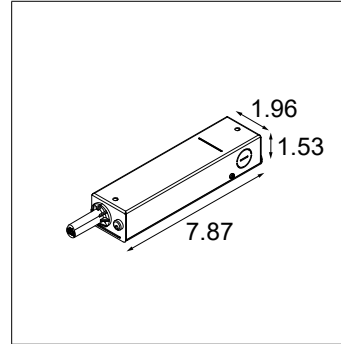
<sup>(8)</sup> Minimum & maximum amount of compatible lamp units, multiple lamp units must be connected in series to a single driver

[quick links](#)

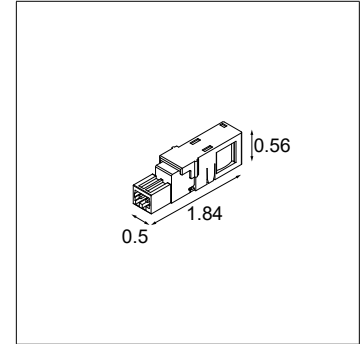
### Remodel Options

#### Non-IC Remote Driver

- Material: sheet metal (galvanized steel)
- Each lamp unit needs its own driver
- Lamp unit and driver can be installed from below through the ceiling cutout
- Driver must be placed in the ceiling, min 10" & max 20" from the lamp unit
- Required height to tilt the driver through the cutout: 6" (for ceiling thickness 1/2")
- For Non-IC (non insulation contact) applications only
- 3 knockout holes for line voltage conduit or cable connection
- Includes female connector for connection to lamp unit
- Must be combined with Male Connector (ordered separately)



Non-IC Remote Driver



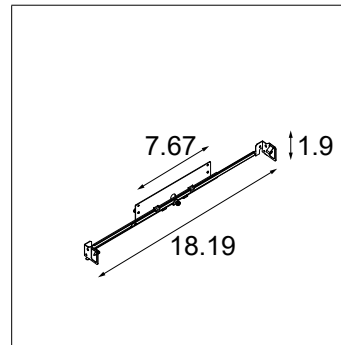
Male Connector

#### Male Connector

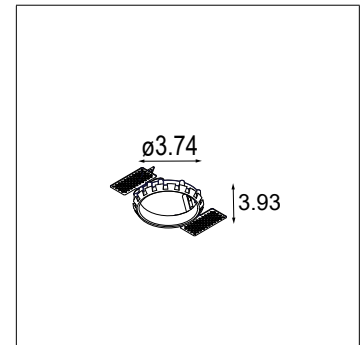
- Required, to connect the lamp unit to the driver
- To be connected to the lamp unit by a contractor

#### Bar Hanger for Non-IC Remote Driver

- Optional, attaches to the Non-IC Remote Driver
- Used to span joists or attach to t-bar
- Access above ceiling is required, when the bar hanger is used



Bar Hanger for Non-IC Remote Driver



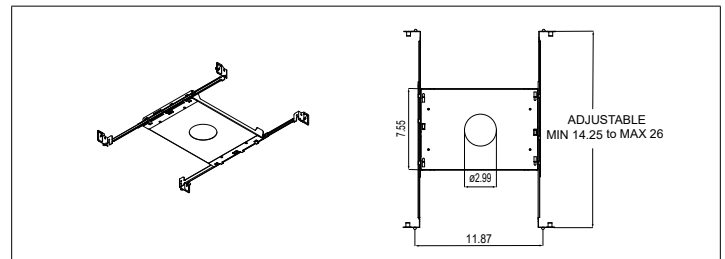
Recessed Ring

#### New Construction Frame

- Optional, with cutout hole for the lamp unit
- Used to span joists or attach to t-bar

#### Recessed Ring

- Optional, for trim installation flush with the ceiling
- Can only be used in combination with the Non-IC Remote Driver
- Can not be used in combination with the New Construction Frame



New Construction Frame

### Remodel Accessories Ordering Information

Ordering Code	Version
MC-RD	Male Connector
BH-RD	Bar Hanger for Non-IC Remote Driver
NCF-3.0	New Construction Frame
RING-R-3.2	Recessed Ring

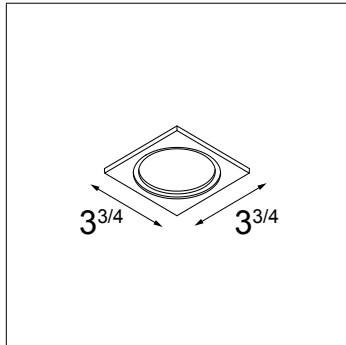
### Remodel Non-IC Remote Driver Specifications & Ordering Information

Ordering Code	Version	Input	Output	Dim <sup>(6)</sup>	Lamp Type		Connected Load	
					Fixed CCT	Warm Dim	Fixed CCT	Warm Dim
NON-IC-RD-120-DP-010P-350-8	Non-IC Remote Driver	120VAC	350mA DC	0-10V, ELV & Triac - 1%	☺	☺	8.7W	9.7W
NON-IC-RD-120-DP-010P-500-9	Non-IC Remote Driver	120VAC	500mA DC	0-10V, ELV & Triac - 1%	☺		10.9W	
NON-IC-RD-120-DP-010P-700-16	Non-IC Remote Driver	120VAC	700mA DC	0-10V, ELV & Triac - 1%	☺		15.1W	
NON-IC-RD-277-DP-0101-350-8	Non-IC Remote Driver	277VAC	350mA DC	0-10V - 1%	☺	☺	8.7W	9.7W
NON-IC-RD-277-DP-0101-500-9	Non-IC Remote Driver	277VAC	500mA DC	0-10V - 1%	☺		10.9W	
NON-IC-RD-277-DP-0101-700-16	Non-IC Remote Driver	277VAC	700mA DC	0-10V - 1%	☺		15.1W	

<sup>(6)</sup> Consult the factory for dimmer compatibility

**Accessories Specifications**

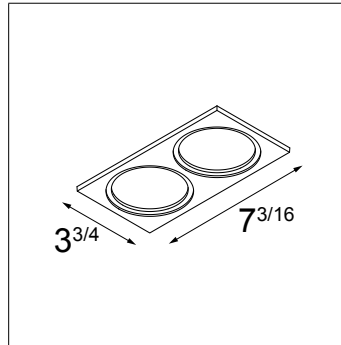
- Accessories are optional
- Available for 1 lamp unit (1X versions) or 2 lamp units (2X versions)
- Mask material: cast aluminum
- Mask finish: powder coat or wet paint
- Mask thickness: 0.2"
- Weight: 0.2lbs (1X version), 0.3lbs (2X version)



Mask 3.2 1X



Mask 3.2 1X



Mask 3.2 2X

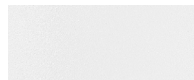


Mask 3.2 2X

**Finish Information**



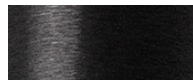
Black Structure (BLS)  
Powder Coat (Matte)



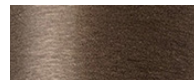
White Structure (WHS)  
Powder Coat (Matte)



Gold (GOMT)  
Wet Paint (Matte)



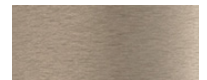
Black (BLBR)  
Wet Paint (Brushed)



Bronze (BRBR)  
Wet Paint (Brushed)



Champagne (CHBR)  
Wet Paint (Brushed)



Silver Bronze (SBBR)  
Wet Paint (Brushed)

**Ordering Information**

**SMART-M-3.2** -  -

<b>SMART-M-3.2</b>	Mask 3.2	<b>1X</b>	For 1 lamp unit	<b>BLS</b>	Black Structure
		<b>2X</b>	For 2 lamp units	<b>WHS</b>	White Structure
				<b>GOMT</b>	Gold Matte
				<b>BLBR</b>	Black Brushed
				<b>BRBR</b>	Bronze Brushed
				<b>CHBR</b>	Champagne Brushed
				<b>SBBR</b>	Silver Bronze Brushed

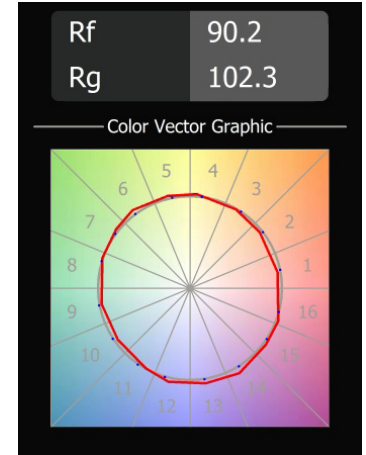
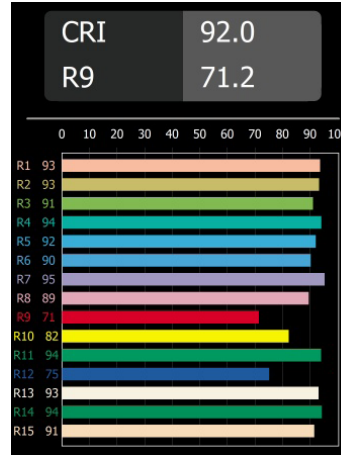
[quick links](#)

### Performance Specifications (per lamp unit)

Lamp Unit	Fixed CCT	Warm Dim
Weight	0.5lbs	0.5lbs
Cut-Out Size	Ø2.75"	Ø2.75"
Location	damp or wet	damp or wet
CRI*	92, R9: 71	95, R9: 88
Lifetime	L80 B20 @ 50,000 hrs	L80 B20 @ 50,000 hrs
UGR	see website	see website

Electrical (typical)	Fixed CCT	Warm Dim
Drive Current (mA DC)	350 500 700	350
Forward Voltage (V)	14.2 14.4 15.1	17.0
LED Power (W)	5.0 7.2 10.6	6.0

\* CRI & TM-30 Value for 3000K



For photometric files see website or contact factory.

### Output Specifications (per lamp unit)

Reference Delivered Lumens	CCT	Optics	Drive Current	Finish
695 (ref. 3000K, MG F, 500mA WHS)	2700K (0.96) 3000K (1.00) 3500K (1.03)	MG F (1.00) MG M (1.05) MG S (1.05) FG F (0.89)	350mA (0.74) 500mA (1.00) 700mA (1.30)	BLS (0.85) WHS (1.00) GOMT (0.93) BLBR (0.81) BRBR (0.82) CHBR (0.92) SBBR (0.93)
389 (ref. 3000K-1800K, MG F, WHS)	3000K - 1800K (1.00)	MG F (1.00) MG M (0.96) FG F (0.81)	350mA (1.00)	BLS (0.85) WHS (1.00) GOMT (0.93) BLBR (0.89) BRBR (0.89) CHBR (1.00) SBBR (1.00)

Multipliers are indicated between brackets: ( )

Example calculation, to determine typical output for 2700K, Microprismatic Glass, Medium, 700mA Black Structure: 695 x (0.96) x (1.05) x (1.30) x (0.85) = 774 lumens

### Listings and Certifications

- Listed: cULus
- Damp or wet locations
- CCEA Chicago Plenum (when used with IC-UAT Housing)
- Airtight per ASTM-E283-04 (when used with IC-UAT Housing)



### Warranty

- Visit <https://www.supermodular.com/en-us/warranty/>

quick links