



**MODULAR**  
LIGHTING  
INSTRUMENTS  
— by MLI NA Corporation

Project

Type

Contact

## Smart Lotis 4.5 Adj Recessed

### Overview

Smart Lotis is the best known fixture within the Smart family. The deeply recessed cone which holds the light source inspired the designers to create a very versatile spot to be combined with multiple accessories. The Smart family's styling is based on our most popular designs. Since its introduction, Smart has become an extensive portfolio with a broad range of accessories. The new recessed lights can be combined with the optional Smart mask to form the perfect solution for any interior.

With an outer flange diameter of 4.5" and an aperture of 3.1 inches, the Smart Lotis 4.5 is compact yet powerful. Made from die cast aluminum alloy and offered in a variety of finishes.



#### QUICK LINKS

Page 2 - [Lamp Specification](#)

Page 3 - [Driver Integrated Housings](#)

Page 4 - [Housings for Remote Driver](#)

Page 5 - [Remodel Options](#)

Page 6 - [Accessories](#)

Page 7 - [Performance Data](#)

## Smart Lotis 4.5 Adj Recessed

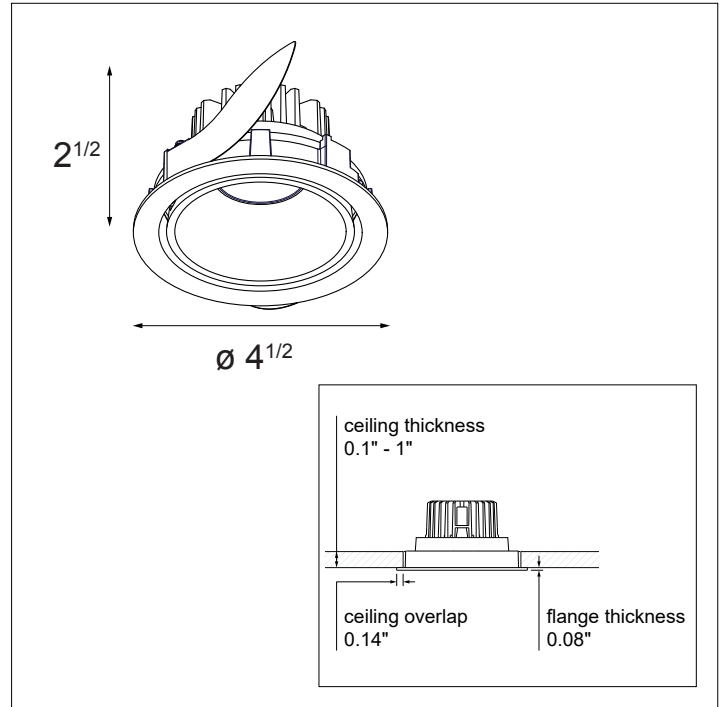
### Lamp Specifications & Ordering Information

- Aperture: 3.1"
- Adjustability: 0-25°
- Trim Material: Cast Aluminum
- Trim Finish: Powder Coat or Wet Paint\*
- Must be combined with Housing or NON-IC Remodel Driver

\* Wet Paint is only used for the gold finish

### Lamp Module Finish Options

White Structure (WHS) Powder Coat (Matte)	Black Structure (BLS) Powder Coat (Matte)	Gold (GOMT) Wet Paint (Matte)



### Ordering Information

<b>SMART-L-R-A-4.5-1X</b>				<b>DP</b>	<b>DE</b>		
Smart Lotis Recessed Adjustable 4.5 1x	<b>27</b> 2700K	<b>S</b> Spot 13°	<b>DP</b> Damp Location	<b>DE</b> Driver Excluded	<b>WHS</b> White Structure		
	<b>30</b> 3000K	<b>M</b> Medium 25°			<b>BLS</b> Black Structure		
	<b>35</b> 3500K	<b>F</b> Flood 39°			<b>GOMT</b> Gold Matt		
	<b>WD</b> Warm Dim 3000K - 1800K	<b>Warm Dim</b>					
		<b>M</b> Medium 24°					
		<b>F</b> Flood 40°					

Example Ordering Code

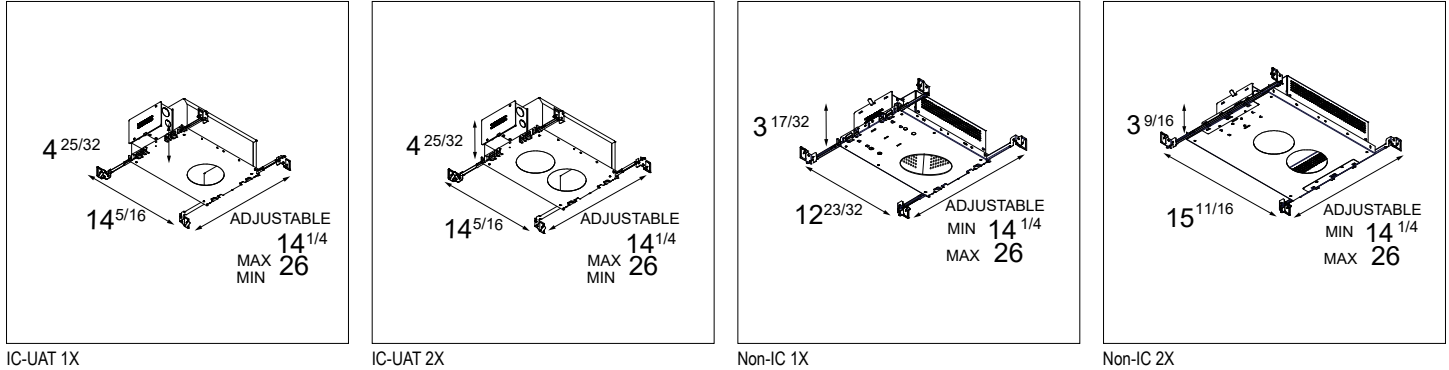
<b>SMART-L-R-A-4.5-1X</b>	<b>30M</b>	<b>DP</b>	<b>DE</b>	<b>BLS</b>
---------------------------	------------	-----------	-----------	------------

Smart Lotis Recessed Adjustable 4.5 1x, 3000K, medium, damp rated, driver excluded, black structure)

### Housing & Driver Specifications

#### Driver Integrated Housing Options

- Material: Sheet metal (galvanized steel)
- Driver: Included in Housing
- CCEA Chicago Plenum rated & Airtight per ASTM-E283-04 (when used with IC-UAT box)



#### Driver Specifications

DRIVER	OUTPUT CURRENT	INPUT VOLTAGE	DIMMING TYPE	TYPICAL DIMMING LEVEL**	CONNECTED LOAD (TYPICAL)	
					1X	2X
010P-500	500mA	120-277VAC, 120VAC*	0-10V, ELV & Triac	1%	10.5 W	21.5 W
0101-EL-500	500mA	120-277VAC	0-10V	1%	11.6 W	

\* Dimming via ELV and Triac only compatible at 120VAC

\*\* Consult the factory for dimmer compatibility

#### Housing Ordering Information

- SMART-4.5-ADJ -		- 010P-500	
<b>NON-IC</b> Non-IC/ New Construction		<b>1X</b> Single Luminaire	<b>010P-500</b> 0-10V/ELV/Triac 500mA
<b>IC-UAT</b> Insulation Contact Rated, ultra air-tight		<b>2X</b> Double Luminaire	
<i>I not applicable for Warm Dim</i>			
- SMART-4.5		- 1X	- 0101-EL-500
<b>NON-IC</b> Non-IC/ New Construction		<b>1X</b> Single Luminaire	<b>0101-EL-500</b> 0-10V 500mA
<b>IC-UAT</b> Insulation Contact Rated, ultra air-tight			
<i>I not applicable for Warm Dim</i>			

### Housing & Driver Specifications - contd.

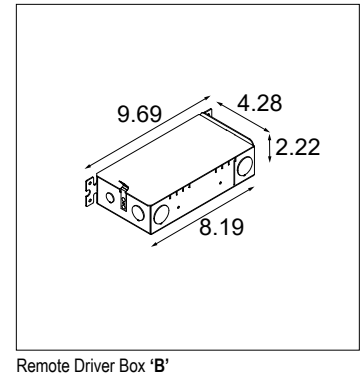
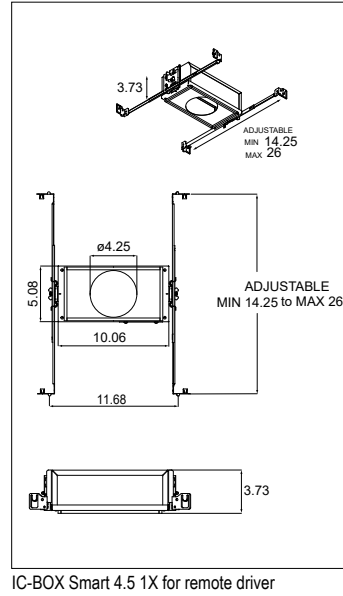
#### Remote Driver Options for IC-UAT Housing

- Material: Sheet metal (galvanized steel)
- Driver: Remote. Specify below
  - Material: Sheet metal (galvanized steel)
  - Remote driver box can be bottom, side or t-bar mounted
- CCEA Chicago Plenum rated & Airtight per ASTM-E283-04
- Built in electrical connection box with 2x 7/8" knockout
- Bar hangers adjustable by 1.5" to accommodate different mounting heights or ceiling thicknesses

#### Housing Ordering Information

SELECTION	ORDERING CODE	LAMP TYPE	COMPATIBLE DRIVE CURRENT*
	ICB-SMART-4.5-RD-350	Warm Dim	350mA
	ICB-SMART-4.5-RD-700	Fixed CCT	350mA, 500mA & 700mA

\* Drive current of IC Box must match remote driver current selection



#### IC-UAT Housing Options for Remote Driver

#### Remote Driver Information & Ordering

SELECTION	ORDERING CODE	BOX TYPE	DIMMING TYPE	TYPICAL DIMMING LEVEL**	OUTPUT CURRENT	INPUT VOLTAGE	UL LOCATION					SMART LAMP MODULE			
							RECESSED TYPE IC	RECESSED TYPE NON-IC	SURFACE	CABINET UNDER CABINET	CABINET	SMART 4.5 ADJ WD		SMART 4.5 ADJ	
												1X	1X	2X	3X
	NON-IC-RD-DP-010P-350-8	B	0-10V, ELV & Triac	1%	350mA	120-277VAC, 120VAC*	-	X	X	X	X	-	✓	-	-
	NON-IC-RD-DP-010P-350-11	B	0-10V, ELV & Triac	1%	350mA	120-277VAC, 120VAC*	-	X	X	X	X	-	-	✓	-
	NON-IC-RD-DP-010P-350-14	B	0-10V, ELV & Triac	1%	350mA	120-277VAC, 120VAC*	-	X	X	X	X	✓	-	✓	-
	NON-IC-RD-DP-010P-500-16	B	0-10V, ELV & Triac	1%	500mA	120-277VAC, 120VAC*	-	X	X	X	X	-	-	✓	-
	NON-IC-RD-DP-010P-500-21	B	0-10V, ELV & Triac	1%	500mA	120-277VAC, 120VAC*	-	X	X	X	X	-	-	✓	-
	IC-RD-DP-TE1-500-12	B	ELV & Triac	1%	500mA	120VAC	X	-	X	X	X	-	✓	-	-
	IC-RD-DP-TE1-500-20	B	ELV & Triac	1%	500mA	120VAC	X	-	X	X	X	-	-	✓	-
	IC-RD-DP-0101-EL-350-30	B	0-10V	1%	350mA	120-277VAC	X	-	X	X	X	✓	✓	✓	✓
	IC-RD-DP-0101-EL-500-30	B	0-10V	1%	500mA	120-277VAC	X	-	X	X	X	-	✓	✓	✓
	IC-RD-DP-0101-EL-700-30	B	0-10V	1%	700mA	120-277VAC	X	-	X	X	X	-	✓	✓	-

\* Dimming via ELV and Triac only compatible at 120VAC

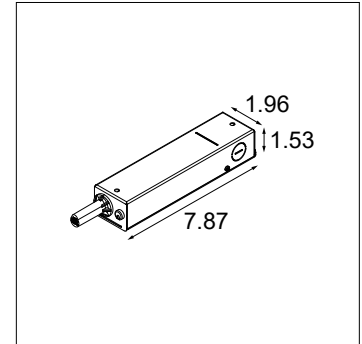
\*\* Consult the factory for dimmer compatibility

\*\*\* Matrix shows combinations of modules that are compatible with various drivers. Compatibility is designated by a box denoted with an "✓"

### Housing & Driver Specifications - cntd.

#### NON-IC Remodel Options

- Lamp Module and driver can be installed from below through the ceiling cutout
- Driver must be placed in the ceiling next to the Lamp Module (distance between Driver and Lamp Module: min 10", max 20")
- Required height to tilt the driver through the ceiling cutout: 4" (for ceiling thickness 1/2")
- For Non Insulation Contact applications only
- Only 1 Lamp Module per driver
- Driver: Remote. Specify below
  - Material: Sheet metal (galvanized steel)
  - Includes female connector for connection to fixture
  - See installation instructions for specific mounting requirements
- Built in electrical connection box with 3x 7/8" knockout
- Must be used with MC-RD connector (ordered separately)



Non-IC Remote LED Driver

#### Remote Driver Information & Ordering

SELECTION	ORDERING CODE	DIMMING TYPE	TYPICAL DIMMING LEVEL**	OUTPUT CURRENT	INPUT VOLTAGE	CONNECTED LOAD		SMART LAMP MODULE	
						SMART 4.5 ADJ WD	SMART 4.5 ADJ	SMART 4.5 ADJ WD 1X	SMART 4.5 ADJ 1X
	NON-IC-RD-120-DP-010P-350-8	ELV/TRIAC/0-10V	1%	350mA	120VAC	-	8.7W	-	✓
	NON-IC-RD-120-DP-010P-350-14	ELV/TRIAC/0-10V	1%	350mA	120VAC	16.0W	-	✓	-
	NON-IC-RD-120-DP-010P-500-9	ELV/TRIAC/0-10V	1%	500mA	120VAC	-	10.9W	-	✓
	NON-IC-RD-120-DP-010P-700-16	ELV/TRIAC/0-10V	1%	700mA	120VAC	-	15.1W	-	✓
	NON-IC-RD-277-DP-0101-350-8	0-10V	1%	350mA	277VAC	-	8.7W	-	✓
	NON-IC-RD-277-DP-0101-350-14	0-10V	1%	350mA	277VAC	16.0W	-	✓	-
	NON-IC-RD-277-DP-0101-500-9	0-10V	1%	500mA	277VAC	-	10.9W	-	✓
	NON-IC-RD-277-DP-0101-700-16	0-10V	1%	700mA	277VAC	-	15.1W	-	✓

#### ACCESSORIES

##### Male Connector for non-IC Remote Driver

- Required
- To be connected to the Lamp Module by a contractor

##### Bar Hanger for non-IC Remote Driver

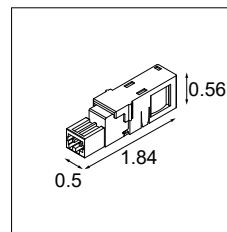
- Optional
- Attaches to the remote driver housing
- Used to span joists or attach to t-bar
- Access above ceiling is required, when the bar hanger is used

##### New Construction Frame

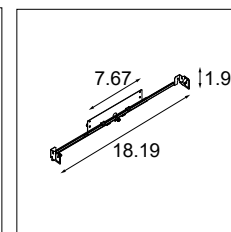
- Optional
- With cutout hole for the Lamp Module
- Used to span joists or attach to t-bar

##### Recessed Ring

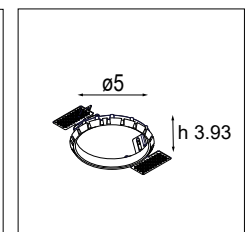
- Optional, for trim installation flush with ceiling
- Can only be used in combination with the NON-IC Remote Driver
- Can not be used in combination with the New Construction Frame



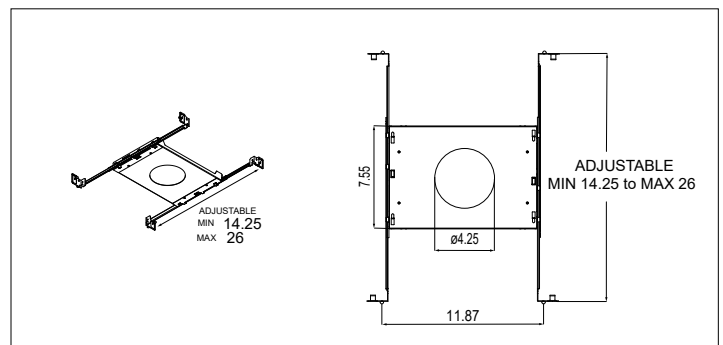
Male Connector for Non-IC Remote LED Driver



Bar Hanger for Non-IC Remote LED Driver



Recessed Ring



New Construction Frame 4.3

#### Ordering Information

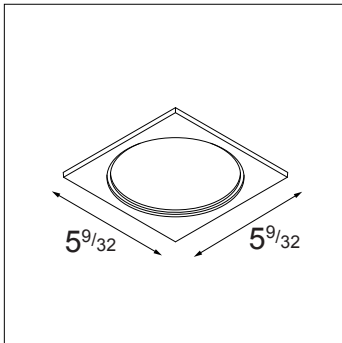
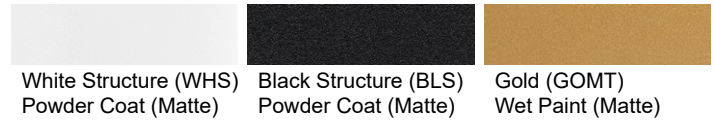
SELECTION	ORDERING CODE	ITEM
	MC-RD	Male Connector for Non-IC Remote LED Driver
	BH-RD	Bar Hanger for Non-IC Remote LED Driver
	NCF-4.3	New Construction Frame 4.3
	RING-R-4.5	Recessed Ring Ø4.5

**Accessories Specifications**

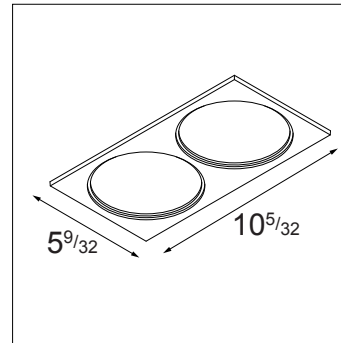
- Accessories are optional
- Mask Material: Cast Aluminum
- Mask Finish: Powder Coat or Wet Paint\*
- Mask Thickness: 0.2"

\* Wet Paint is only used for the gold finish

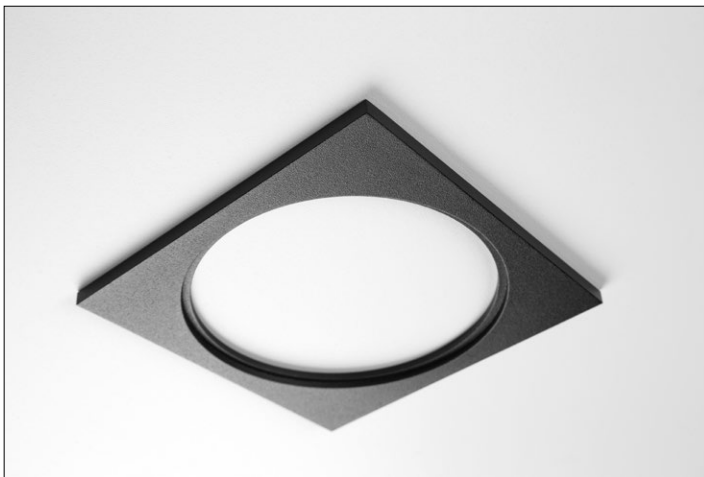
**Mask Finish Options**



Single Mask



Double Mask



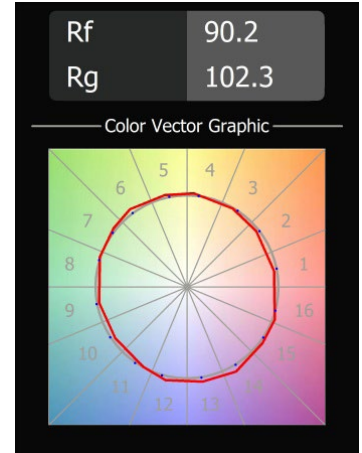
**Accessories Ordering Information**

**SMART-M-4.5** -

<p><b>1X</b> Single Luminaire</p> <p><b>2X</b> Double Luminaire</p>	<p><b>WHS</b> White Structure</p> <p><b>BLS</b> Black Structure</p> <p><b>GOMT</b> Gold</p>
---	---

## Performance Specifications (per lamp)

	Fixed CCT	Warm Dim
Weight		1.0lbs
Cut-Out Size		Ø4.25"
Adjustability		0-25°
Location		Damp
CRI*	92, R9: 71	95, R9: 86
Lifetime	L80 B20 @ 50,000 hrs	
UGR	see website	
Electrical (typical)		
	Fixed CCT	Warm Dim
	350mA	500mA
	500mA	700mA
	700mA	350mA
Vf	14.2V	14.4V
	14.4V	15.1V
	15.1V	33.8V
Power	5W	7.2W
	7.2W	10.6W
	10.6W	11.8W



\*CRI & TM-30 Value for 3000K

For photometric files see website or contact factory

## Output Specifications

Reference: 3000K, 40deg (FL), 500mA, White  
Values below are typical  
( ) indicates multipliers

Reference Delivered Lumens	CCT	Optics	Current	Finish
749	2700K (0.96) 3000K (1.0) 3500K (1.04)	S (1.02) M (1.03) F (1.0)	350mA (0.74) 500mA (1.0) 700mA (1.28)	WHS (1.0) GOMT (0.94) BLS (0.90)
881	3000K – 1800K (1.0)	M (1.02) F (1.0)	350mA (1.0)	WHS (1.0) GOMT (0.93) BLS (0.91)

Example Calculation

To determine typical output for 2700K, Medium optic, 700mA in Gold:  
749 x 0.96 x 1.03 x 1.28 x 0.94 = 891lumen

## Listings and Certifications

- cUL & UL listed
- CCEA Chicago Plenum rated & Airtight per ASTM-E283-04 (when used with IC-UAT box)

## Warranty

Visit <https://www.supermodular.com/warranty>