

Smart Lotis 1.9 Tube Suspended

Overview

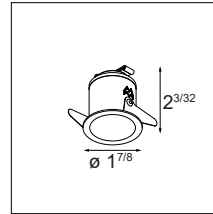


Try all three Smart designs, Kup, Lotis and Cake with the lovely shape of Smart Tube Suspended. Combine a white or black structure cylinder, with designs in black and white structure, or gold finish.

With an outer diameter of 1.9" and an aperture of 1.5 inches, the Smart Lotis 1.9 is compact yet powerful. Forming a cUL class II luminaire when combined with the suspended tube, the installation options are endless.

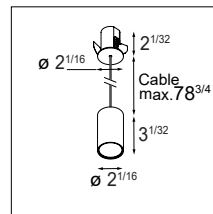
How to Specify (Example)

1. Select Lamp Module → Page 2



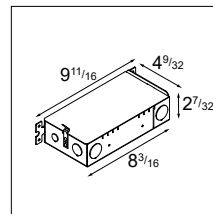
Example: **SMART-L-R-1.9-1X-30M-DP-DE-GOMT**
(Smart Lotis Recessed 1.9, 3000K, medium, damp rated, gold matte)

2. Select Tube → Page 3



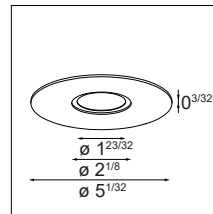
Example: **SMARU-SP-1.9-1X-DP-DE-WHS**
(Smart Tube Suspended 1.9, 1 lamp, damp rated, driver excluded, white structure)

3. Select Remote Driver → Page 4



Example: **NON-IC-RD-DP-010P-500-6**
(Non IC remote driver, damp rated, 0-10V/ELV/Triac, 500mA, 6W)

4. Select Optional Accessories → Page 5



Example: **BP-C-44-SMART-TSS-1.9-MINUDE-WHS**
(Backplate for 4x4 junction box, Smart 1.9, white structure)

Example Order:

Qty.	Item
1	SMART-L-R-1.9-1X-30M-DP-DE-GOMT
1	SMARU-SP-1.9-1X-DP-DE-WHS
1	NON-IC-RD-DP-010P-500-6
1	BP-C-44-SMART-TSS-1.9-MINUDE-WHS

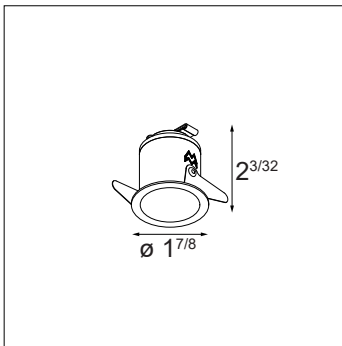
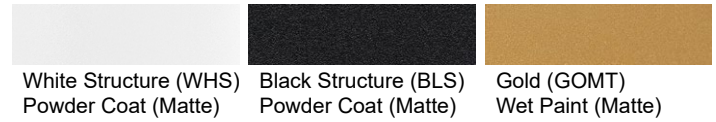
Smart Lotis 1.9 Tube Suspended

Lamp Specifications & Ordering Information

- Aperture: 1.5"
- Trim Material: Cast Aluminum
- Trim Finish: Powder Coat or Wet Paint*
- Must be combined with suspended tube

* Wet Paint is only used for the gold finish

Lamp Module Finish Options



Ordering Information

SMART-L-R-1.9-1X	-	-	-	-	-	DE	-
Smart Lotis Recessed 1.9 1x	[blank] Clear Glass ⁽¹⁾	27 2700K	M Medium 28° ⁽¹⁾ /44° ⁽²⁾	DP Damp Location	DE Driver Excluded	WHS White Structure	
	MPG Microprismatic Glass ⁽²⁾	30 3000K				BLS Black Structure	
		35 3500K	Warm Dim			GOMT Gold Matt	
		WD Warm Dim 3000K - 1800K	F Flood 43° ⁽¹⁾ /44° ⁽²⁾				

Example Ordering Code

SMART-L-R-1.9-1X	-		-	30M	-	DP	-	DE	-	GOMT
-------------------------	---	--	---	------------	---	-----------	---	-----------	---	-------------

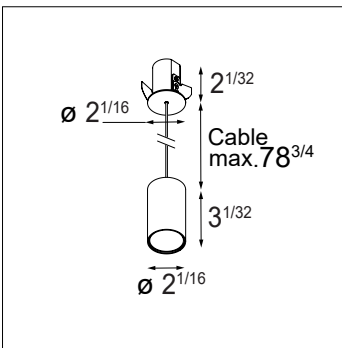
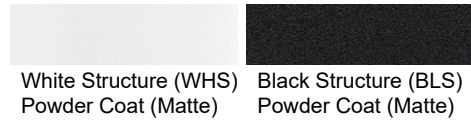
Smart Lotis Recessed 1.9 1x, 3000K, medium, damp rated, driver excluded, gold matte)

Smart Lotis 1.9 Tube Suspended

Suspended Tube Specifications

- Recessed connection box forms cUL class II connection box
- Tube Material: Cast Aluminum
- Tube Finish: Powder Coat
- Canopy finish: matches tube finish
- Cable color: black
- Cable Diameter: 0.14"
- Cable is field adjustable
- Included with tube: Plaster finish plate for 4x4 octagonal junction box
- Weight: 0.6lbs

Suspended Tube Finish Options



Tube Suspended

Tube Ordering Information

SMARU-SP-1.9-1X - **DP** - **DE** -

Smart Tube
Suspended 1.9 1x

DP Damp
Location

DE Driver Excluded
(requires remote driver)

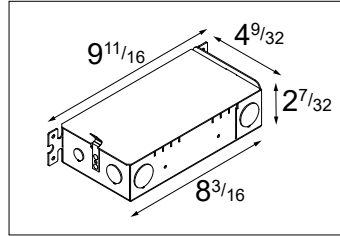
WHS White Structure

BLS Black Structure

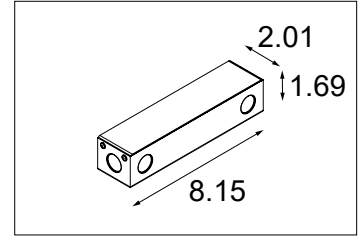
Smart Lotis 1.9 Tube Suspended

Remote Driver Specifications

- Remote driver housing material: Sheet metal (galvanized steel)
- Remote driver housing can be bottom mounted, side mounted or mounted to t-bar grid



Remote Driver Box 'B'



Remote Driver Box 'A'

Remote Driver Information

SELECTION ↓	ORDERING CODE	BOX TYPE	DIMMING TYPE	LAMP MODULE COMPATIBILITY	OUTPUT CURRENT	INPUT VOLTAGE	TYPICAL DIMMING LEVEL**	UL LOCATION					FIXTURE QUANTITY (SERIAL CONNECTION)				
								RECESSED TYPE IC	RECESSED TYPE NON-IC	SURFACE	CABINET	UNDER CABINET	1X	2X	3X	4X	5X
	NON-IC-RD-DP-010P-350-8	B	0-10V, ELV & Triac	Fixed CCT (2700K, 3000K, 3500K)	350mA	120-277VAC, 120VAC*	1%	-	X	X	X	X	-	X	-	-	-
	NON-IC-RD-DP-010P-350-11	B	0-10V, ELV & Triac	Fixed CCT (2700K, 3000K, 3500K)	350mA	120-277VAC, 120VAC*	1%	-	X	X	X	X	-	-	X	-	-
	NON-IC-RD-DP-010P-350-14	B	0-10V, ELV & Triac	Fixed CCT (2700K, 3000K, 3500K)	350mA	120-277VAC, 120VAC*	1%	-	X	X	X	X	-	-	-	X	-
	NON-IC-RD-DP-010P-500-6	B	0-10V, ELV & Triac	Fixed CCT (2700K, 3000K, 3500K)	500mA	120-277VAC, 120VAC*	1%	-	X	X	X	X	X	-	-	-	-
	NON-IC-RD-DP-010P-500-16	B	0-10V, ELV & Triac	Fixed CCT (2700K, 3000K, 3500K)	500mA	120-277VAC, 120VAC*	1%	-	X	X	X	X	-	-	X	-	-
	NON-IC-RD-DP-010P-500-21	B	0-10V, ELV & Triac	Fixed CCT (2700K, 3000K, 3500K)	500mA	120-277VAC, 120VAC*	1%	-	X	X	X	X	-	-	-	X	-
	IC-RD-DP-TE1-500-12	B	ELV & Triac	Fixed CCT (2700K, 3000K, 3500K)	500mA	120VAC	1%	X	-	X	X	X	-	X	-	-	-
	IC-RD-DP-TE1-500-20	B	ELV & Triac	Fixed CCT (2700K, 3000K, 3500K)	500mA	120VAC	1%	X	-	X	X	X	-	-	-	X	-
	IC-RD-DP-0101-EL-350-30	B	0-10V	Fixed CCT (2700K, 3000K, 3500K)	350mA	120-277VAC	1%	X	-	X	X	X	X	X	X	X	X
	IC-RD-DP-0101-EL-500-30	B	0-10V	Fixed CCT (2700K, 3000K, 3500K)	500mA	120-277VAC	1%	X	-	X	X	X	X	X	X	X	X
	IC-RD-DP-0101-EL-250	B	0-10V	Warm Dim 3000K-1800K	250mA	120-277VAC	1%	X	-	X	X	X	X	X	-	-	-
	RD-DP-TE01-250	A	Trailing Edge Dimmable	Warm Dim 3000K-1800K	250mA	120-277VAC	0.1%	contact factory					X	-	-	-	-

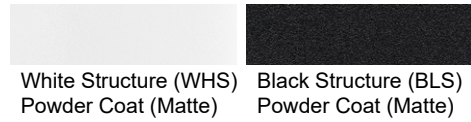
* Dimming via ELV and Triac only compatible at 120VAC

** Consult the factory for dimmer compatibility

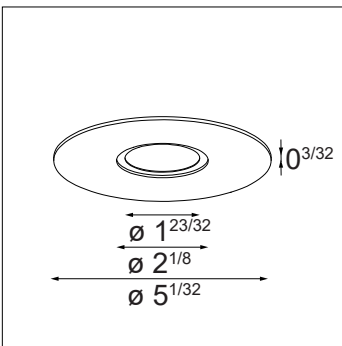
Accessories Specifications

- Accessories are optional (plaster plate comes standard*)
- Backplate / Cover Plate provides a cUL listed option for covering a 4x4 octagonal electrical box
- Cover Plate Material: Stainless steel
- Cover Plate Finish: Powder Coat
- Plate Thickness: 0.08"
- Weight: 0.7lbs

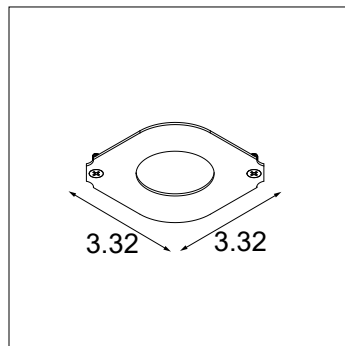
Plate Finish Options



* An additional plaster plate can be ordered to be delivered in advance



Smart 1.9 Suspended Tube Cover Plate



Plaster Finish Plate for 4x4 octagonal junction box

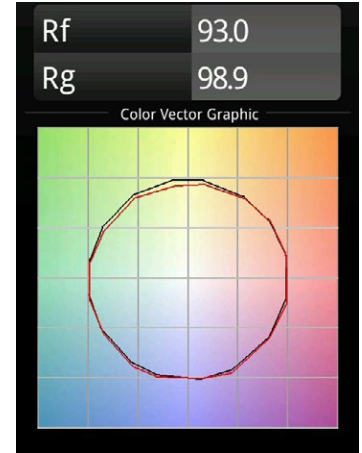
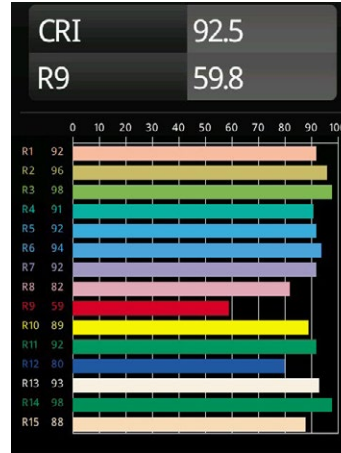
Accessory Ordering Information

BP-C	-	44	-	SMART-TSS-1.9-MINUDE	-	
Backplate Cover		44 4"x4" Junction Box		Smart Tube Suspended 1.9" / Minude		WHS White Structure BLS Black Structure
PP	-	44	-	SMART-TSS-1.9-MINUDE-SS		
Plaster Finish Plate for 4x4 octagonal junction box				Smart Tube Suspended 1.9" / Minude Suspended		

Smart Lotis 1.9 Tube Suspended

Performance Specifications (per luminaire)

	Fixed CCT	Warm Dim	
Weight	0.25 lbs		
Location	Damp		
CRI*	92, R9: 60	97, R: 95	
Lifetime	L80 B20 @ 50.000 hrs		
UGR	see website		
Electrical (typical)			
	Fixed CCT	Warm Dim	
	350mA	500mA	250mA
Vf	8.6V	8.6V	17V
Power	3W	4.3W	4.3W



*CRI & TM-30 Value for 3000K

For photometric files see website or contact factory

Output Specifications

() indicates multipliers

Reference Delivered Lumens	CCT	Optics	Current	Finish
303 (3000K, ME, 500mA, WHS)	2700K (0.87) 3000K (1.0) 3500K (0.91)	MPG M (1.01) M (1.0)	350mA (0.74) 500mA (1.0)	WHS (1.0) GOMT (0.98) BLS (0.96)
180 (3000K -1800K, ME, 250mA, WHS)	3000K – 1800K (1.0)	MPG F (0.95) F (1.0)	250mA (1.0)	WHS (1.0) GOMT (0.97) BLS (0.92)

Example Calculation

To determine typical output for 2700K, microprismatic glass, optic medium, 350mA in gold.

$$303 \times 0.87 \times 1.01 \times 0.74 \times 0.98 = 193 \text{ lumen}$$

Listings and Certifications

- Damp location listed
- cUL & UL listed

Warranty

Visit <https://www.supermodular.com/warranty>