

Pista Track 48V Recessed

Overview



Pista is the ultimate in modern aesthetics, introducing thinner, slimmer magnetic track rails, even smaller light fixtures and ultra-thin cables. But Pista isn't just about miniaturization, it's also about personalization. Designers can create unique configurations and play with different modules on single or multiple track rails in different lengths, light effects and colors.

General Information

General

- Profile finish: powder coat
- Profile is secured to the ceiling with jackscrews & mounting brackets (included, see Track Profile section)
- Dry locations only
- Spot and linear fixtures available, see separate datasheets for detailed information
- Upon insertion, fixtures attach magnetically to the Track Profile or lock into the Track Profile
- Fixtures can be moved in the Track Profile by sliding

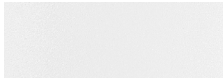
Electrical

- UL Class 2 only
- 48V DC (see Power Supply section)
- Circuits: 1 circuit + data bus
- Maximum 100W per track circuit
- Dimming: 0-10V or DALI (specified separately in the fixture)

Finish Information



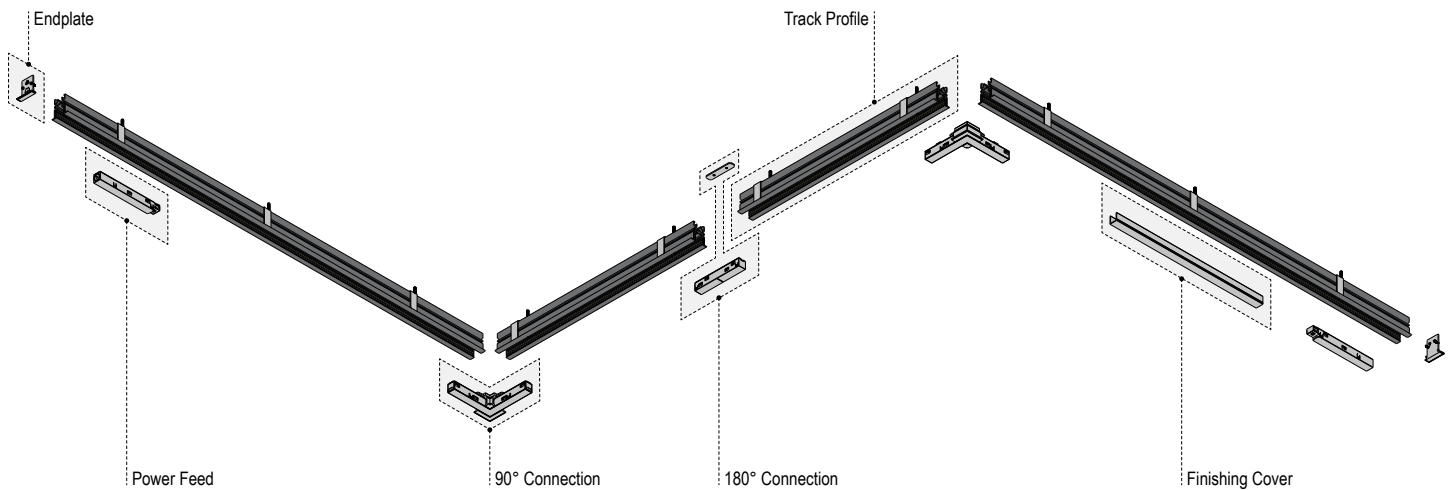
Black Structure (BLS)
Powder Coat (Matte)



White Structure (WHS)
Powder Coat (Matte)

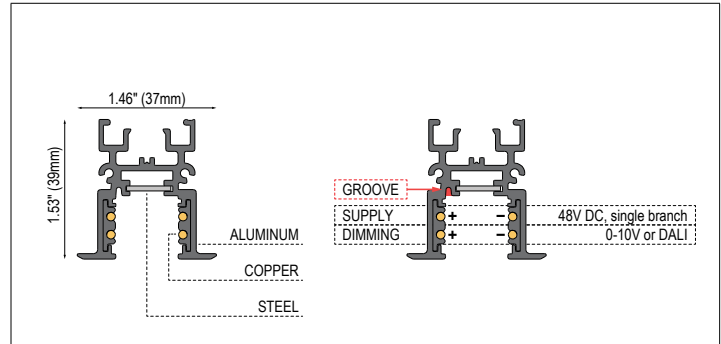
Components & Configuration

- See following pages for detailed component and ordering information

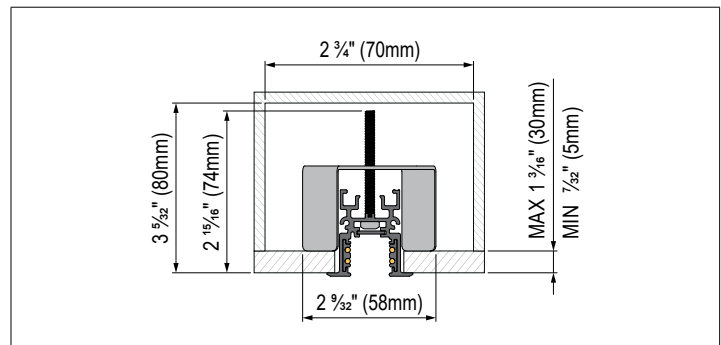


Track Profile Specifications

- For recessed ceiling or wall installation
- Profile finish: powder coat
- Available lengths: 39.4", 78.7" & 118.1" (can be field cut)
- Jackscrews & mounting brackets are included with the Track Profile
- Power supplies and accessories are ordered separately
- Maximum load = 22lb (10kg) for profile length ≤ 39" (1m)
- Add 11lb (5kg) to the maximum load for each additional profile length of 39" (1m)
- When connecting multiple profiles, the "groove" should always be on the same side
- Weight: 0.7lbs/ft



Materials / Dimensions / Electrical



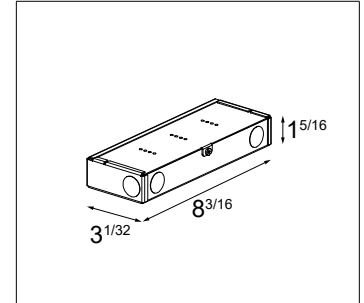
Mechanical Fixation

Ordering Information

Ordering Code	Version	Length	Finish	Quantity (pcs)
PISTA-T48V-PROF-RFL-39.4-DY-BLS	Track Profile	39.4"	Black Structure	
PISTA-T48V-PROF-RFL-39.4-DY-WHS	Track Profile	39.4"	White Structure	
PISTA-T48V-PROF-RFL-78.7-DY-BLS	Track Profile	78.7"	Black Structure	
PISTA-T48V-PROF-RFL-78.7-DY-WHS	Track Profile	78.7"	White Structure	
PISTA-T48V-PROF-RFL-118.1-DY-BLS	Track Profile	118.1"	Black Structure	
PISTA-T48V-PROF-RFL-118.1-DY-WHS	Track Profile	118.1"	White Structure	

Power Supply Specifications - Remote Drivers

- Class 2 constant voltage power supply
- Must be combined with Power Feed (specify at the bottom of the page)
- For cabinet and surface mount use only
- 4 mounting holes for surface mounting
- 4 knockout holes for line voltage wiring (input)
- 4 knockout holes for low voltage wiring (output)
- May be placed up to 50ft away from track using 16AWG wire
- Maximum load: 90% of rated power
- Power factor: > 0.9
- Dry locations only
- Weight: 1.4lbs



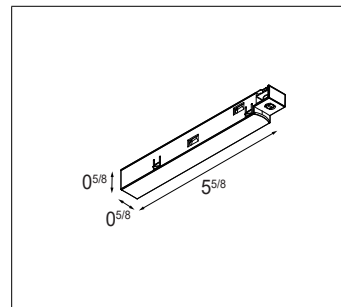
Remote Power Supply

Electrical Specifications & Ordering Information

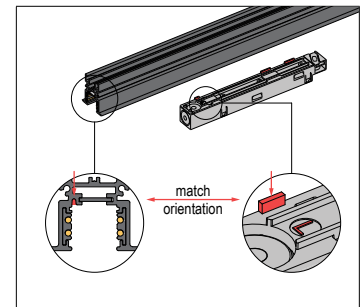
Ordering Code	Input	Output	Finish	Quantity (pcs)
PISTA-T48V-LEDPWRSUPPLY-60W-DY	120-277VAC - 50/60Hz	48VDC - 60W	n/a	
PISTA-T48V-LEDPWRSUPPLY-96W-DY	120-277VAC - 50/60Hz	48VDC - 96W	n/a	

Track Accessories Specifications - Power Feed Connectors

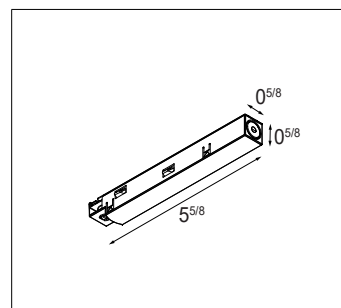
- Used to supply power to the track
- "Groove" side is the difference between Power Feed Left & Right
- Left or Right does not matter if in the middle of the track
- For use with 16-18AWG wire
- Weight: 0.1lbs



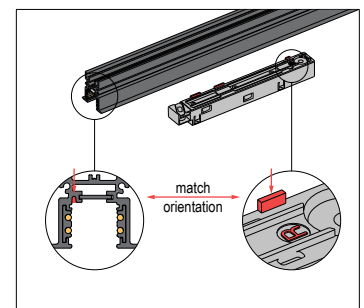
Power Feed Left



Power Feed Left - Groove Orientation



Power Feed Right



Power Feed Right - Groove Orientation

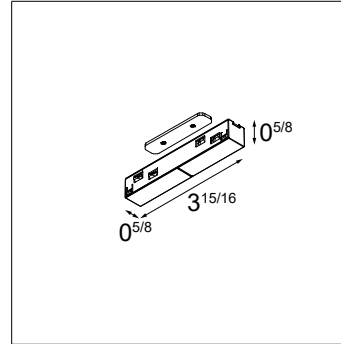
Ordering Information

Ordering Code	Version	Finish	Quantity (pcs)
PISTA-T48V-PFLEFT-DY-BLS	Power Feed Left	Black	
PISTA-T48V-PFLEFT-DY-WHS	Power Feed Left	White	
PISTA-T48V-PFRIGHT-DY-BLS	Power Feed Right	Black	
PISTA-T48V-PFRIGHT-DY-WHS	Power Feed Right	White	

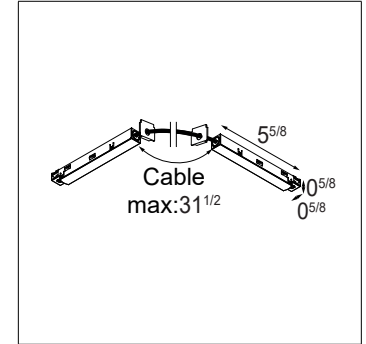
Track Accessories Specifications - Track Connectors

180° Connection

- Connects 2 tracks in the same direction (in the same plane)
- Contains mechanical connection and adapter for electrical continuity
- Can not be used to supply power to the track
- Weight: 0.1lbs



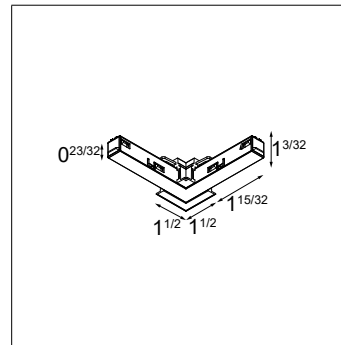
180° Connection



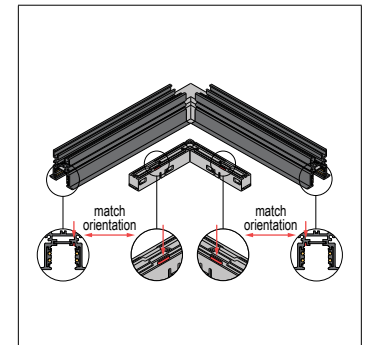
Flexible Connection

90° Connection Inside

- Connects 2 tracks in a 90° angle (in the same plane)
- Contains mechanical connection and adapter for electrical continuity
- "Groove" is on the inside of the connection
- Can not be used to supply power to the track
- Weight: 0.2lbs



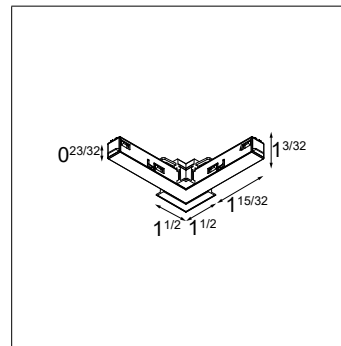
90° Connection Inside



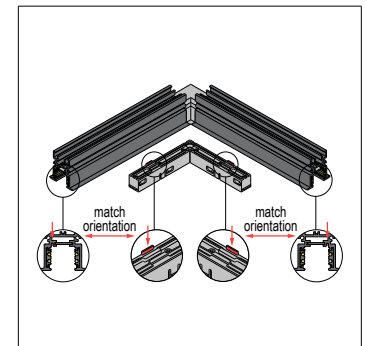
90° Connection Inside - Groove Orientation

Flexible Connection

- Connects 2 tracks to each other
- Contains 2 adapters and a connection cable for electrical continuity
- Cable diameter: 0.27"
- Cable color: black
- Cable finish: PVC
- Cable length can be field adjusted
- Can not be used to supply power to the track
- Weight: 0.5lbs



90° Connection Outside



90° Connection Outside - Groove Orientation

Ordering Information

Ordering Code	Version	Finish	Quantity (pcs)
PISTA-T48V-CONN180-R-DY-BLS	180° Connection	Black	
PISTA-T48V-CONN180-R-DY-WHS	180° Connection	White	
PISTA-T48V-CONN90IN-RFL-DY-BLS	90° Connection Inside	Black	
PISTA-T48V-CONN90IN-RFL-DY-WHS	90° Connection Inside	White	
PISTA-T48V-CONN90OUT-RFL-DY-BLS	90° Connection Outside	Black	
PISTA-T48V-CONN90OUT-RFL-DY-WHS	90° Connection Outside	White	
PISTA-T48V-CONNFLEX-DY-BLS	Flexible Connection	Black	
PISTA-T48V-CONNFLEX-DY-WHS	Flexible Connection	White	

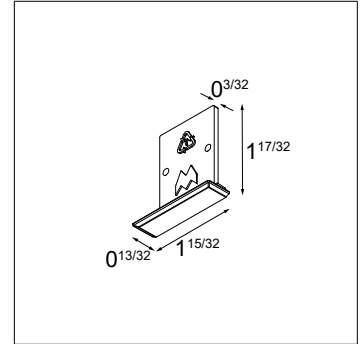
Track Accessories Specifications - Finishing

Endplate

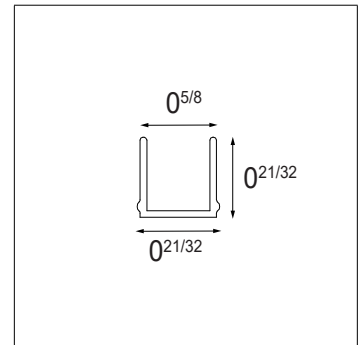
- Contains 2 endplates
- Non-conductive
- Weight: 0.03lbs

Finishing Cover

- Optional
- Can be field cut
- Non-conductive
- Weight: 0.2lbs (39.4" version), 0.4lbs (78.7" version)



Endplate



Finishing Cover

Ordering Information

Ordering Code	Version	Finish	Quantity (pcs)
PISTA-T48V-ENDPLATE-RFL-DY-BLS	Endplate	Black	
PISTA-T48V-ENDPLATE-RFL-DY-WHS	Endplate	White	
PISTA-T48V-COVER-39.4-DY-BLS	Finishing Cover, Length: 39.4"	Black	
PISTA-T48V-COVER-39.4-DY-WHS	Finishing Cover, Length: 39.4"	White	
PISTA-T48V-COVER-78.7-DY-BLS	Finishing Cover, Length: 78.7"	Black	
PISTA-T48V-COVER-78.7-DY-WHS	Finishing Cover, Length: 78.7"	White	

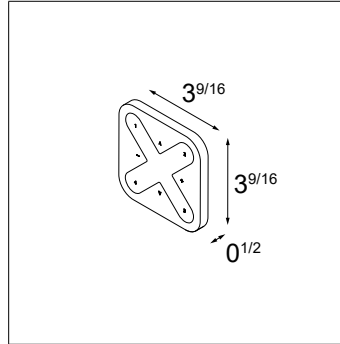
Control Accessories Specifications - Casambi Wireless Control

Casambi Dim Module

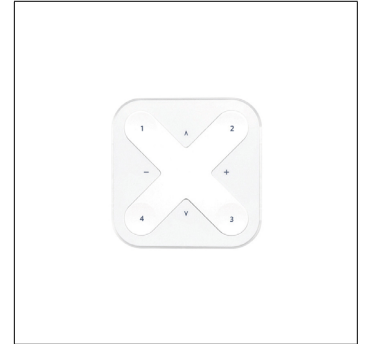
- Utilizes Bluetooth Low Energy Wireless Mesh (no control wires required)
- For individual/discrete fixture control (requires fixtures to be DALI dimmable)
- Connect up to 64 DALI track 48V fixtures to one dim module
- Not to be connected to an existing DALI network
- Only use as independent system
- Contact customer service for the latest configuration & setup documentation
- Weight: 0.1lbs

Casambi Wireless Switch

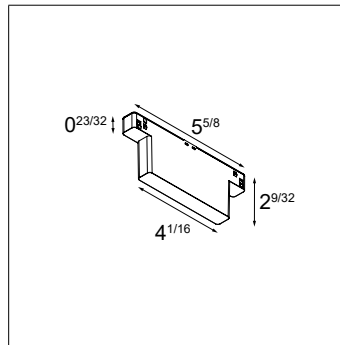
- Range: up to 164ft in open air
- Weight: 0.2lbs



Casambi Wireless Switch



Casambi Wireless Switch



Casambi Dim Module



Casambi Dim Module

Ordering Information

Ordering Code	Version	Finish	Quantity (pcs)
PISTA-T48V-CASAMBI-DIM-BLS	Casambi Dim Module	Black	
PISTA-T48V-CASAMBI-DIM-WHS	Casambi Dim Module	White	
PISTA-T48V-CASAMBI-SWITCH-WH	Casambi Wireless Switch	White	

Listings and Certifications

- Listed: cULus
- Dry locations



Warranty

- Visit <https://www.supermodular.com/en-us/warranty>