

## Smart Lotis Tube Surface 4.5

### Overview

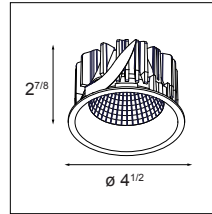


Smart Lotis is the best known fixture within the Smart family. The deeply recessed cone which holds the light source inspired the designers to create a very versatile spot to be combined with multiple accessories.

With an outer diameter of 4.5" and an aperture of 4 inches (fixed version) or 3.1 inches (adjustable version), the Smart Lotis 4.5 is compact yet powerful. Combined with a tube (cylinder) that is offered in multiple finishes, the beautiful combinations are yours to discover.

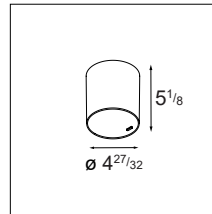
### How to Specify (Example)

#### 1. Select Lamp Module → Page 2



Example: **SMART-L-R-4.5-1X-30F-DP-DE-GOMT**  
(Smart Lotis Recessed 4.5 1x, 3000K, flood, damp rated, driver excluded, gold matte)

#### 2. Select Tube Body & Driver → Page 3



Example: **SMARU-S-4.5-1X-DP-010P-DI-500-BLS**  
(Smart Tube Surface 4.5, 1 lamp, damp rated, 0-10V/ELV, driver included, 500mA, black structure)

#### Example Order:

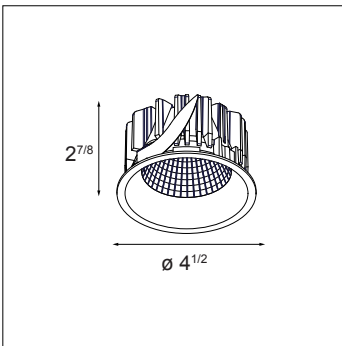
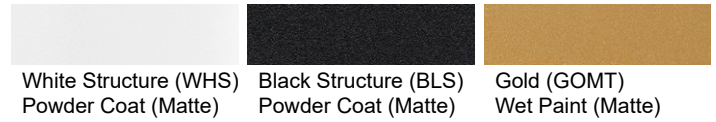
Qty.	Item
1	SMART-L-R-4.5-1X-30F-DP-DE-GOMT
1	SMARU-S-4.5-1X-DP-010P-DI-500-BLS

## Lamp Specifications & Ordering Information

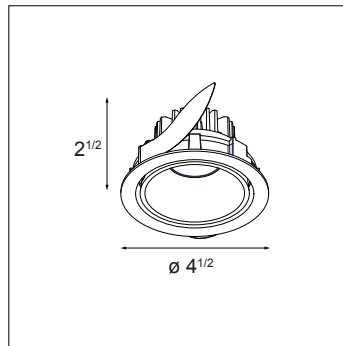
- Aperture: 4" (fixed version) / 3.1" (adjustable version)
- Adjustability: 0-25° (adjustable version only)
- Trim Material: Cast Aluminum
- Trim Finish: Powder Coat or Wet Paint\*
- Must be combined with box & mask

\* Wet Paint is only used for the gold finish

### Lamp Module Finish Options



Smart Lotis Recessed 4.5



Smart Lotis Recessed Adjustable 4.5

## Ordering Information

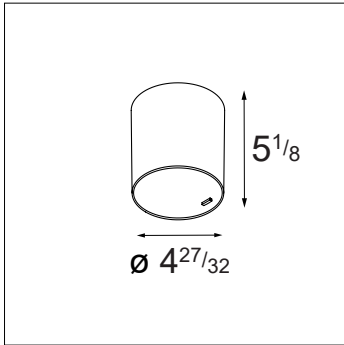
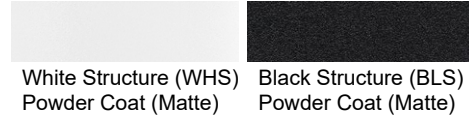
SMART-L-R-4.5-1X						DP	DE					
Smart Lotis Recessed 4.5 1x	<b>[blank]</b>	No Glass <sup>(1)</sup>	<b>27</b>	2700K	<b>S</b>	Spot 13° <sup>(1)</sup>	<b>DP</b>	Damp Location	<b>DE</b>	Driver Excluded	<b>WHS</b>	White Structure
	<b>MPG</b>	Microprismatic Glass <sup>(2)</sup>	<b>30</b>	3000K	<b>M</b>	Medium 25° <sup>(1)/(2)</sup>					<b>BLS</b>	Black Structure
	<b>FRG</b>	Frosted Glass <sup>(3)</sup>	<b>35</b>	3500K	<b>F</b>	Flood 39° <sup>(1)</sup> /41° <sup>(2)</sup> /37° <sup>(3)</sup>					<b>GOMT</b>	Gold Matt

SMART-L-R-A-4.5-1X						DP	DE			
Smart Lotis Recessed Adjustable 4.5 1x	<b>27</b>	2700K	<b>S</b>	Spot 13°	<b>DP</b>	Damp Location	<b>DE</b>	Driver Excluded	<b>WHS</b>	White Structure
	<b>30</b>	3000K	<b>M</b>	Medium 25°					<b>BLS</b>	Black Structure
	<b>35</b>	3500K	<b>F</b>	Flood 39°					<b>GOMT</b>	Gold Matt

### Tube & Driver Specifications

- Tube Material: Cast Aluminum
- Driver: Included in tube
- Designed to install to a 4x4 octagonal junction box
- Weight: 2.4lbs

### Tube Finish Options



Smart Tube Surface 4.5

### Driver Specifications

DRIVER	OUTPUT CURRENT	INPUT VOLTAGE	DIMMING TYPE	TYPICAL DIMMING LEVEL**	CONNECTED LOAD (TYPICAL)	
					FIXED	ADJUSTABLE
010P-500	500mA	120-277VAC, 120VAC*	0-10V, ELV & Triac	1%	19.1 W	10.5 W

\* Dimming via ELV and Triac only compatible at 120VAC

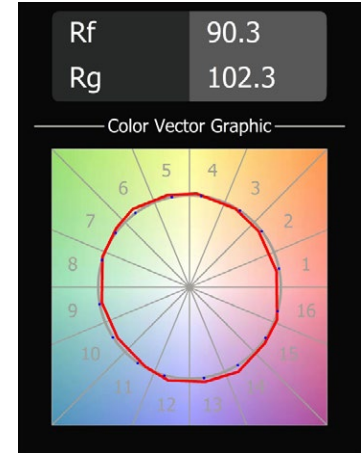
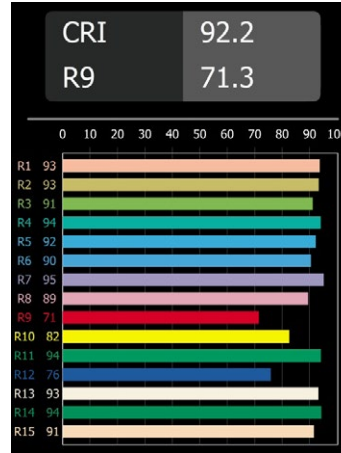
\*\* Consult the factory for dimmer compatibility

### Tube Ordering Information

		DP	010P	DI	500		
<b>SMARU-S-4.5-1X</b>	Smart Tube Surface 4.5, 1 lamp	<b>DP</b> Damp Rated	<b>010P</b> 0-10V/ELV/Triac	<b>DI</b> Driver Included	<b>500</b> 500mA	<b>WHS</b> White Structure	
<b>SMARU-S-A-4.5-1X</b>	Smart Tube Surface Adjustable 4.5, 1 lamp					<b>BLS</b> Black Structure	

### Performance Specifications (per lamp)

	Fixed	Adjustable
Weight	1.3lbs	1.0lbs
Adjustability	-	0-25°
CRI*	92, R9: 71	
Location	Damp	
Lifetime	L80 B20 @ 50.000 hrs	
UGR	see website	
Electrical (typical)		
	Fixed	Adjustable
	500mA	500mA
Vf	31.3V	14.4V
Power	15.7W	7.2W



\*CRI & TM-30 Value for 3000K, Fixed

For photometric files see website or contact factory

### Output Specifications

Reference: 3000K, 40deg (FL), 500mA, White  
Values below are typical  
( ) indicates multipliers

#### Fixed Lamp

Reference Delivered Lumens	CCT	Optics	Current	Finish
1727	2700K (0.95) 3000K (1.0) 3500K (1.07)	S (1.04) M (1.01) F (1.0) MPG M (1.01) MPG F (0.99) FRG F (0.92)	500mA (1.0)	WHS (1.0) GOMT (0.98) BLS (0.96)

#### Adjustable Lamp

Reference Delivered Lumens	CCT	Optics	Current	Finish
749	2700K (0.96) 3000K (1.0) 3500K (1.04)	S (1.02) M (1.03) F (1.0)	500mA (1.0)	WHS (1.0) GOMT (0.94) BLS (0.90)

#### Example Calculation

To determine typical output for 2700K, Medium optic, 500mA in Gold:  
749 x 0.96 x 1.03 x 1.0 x 0.94 = 696lumen

### Listings and Certifications

- Damp location listed
- cUL & UL listed

### Warranty

Visit <https://www.supermodular.com/warranty>