

Smart Lotis Tube Surface 4.5

Overview

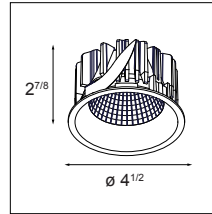


Smart Lotis is the best known fixture within the Smart family. The deeply recessed cone which holds the light source inspired the designers to create a very versatile spot to be combined with multiple accessories.

With an outer diameter of 4.5" and an aperture of 4 inches (fixed version) or 3.1 inches (adjustable version), the Smart Lotis 4.5 is compact yet powerful. Combined with a tube (cylinder) that is offered in multiple finishes, the beautiful combinations are yours to discover.

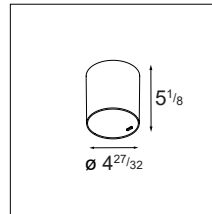
How to Specify (Example)

1. Select Lamp Module → Page 2



Example: **SMART-L-R-4.5-1X-30F-DP-DE-GOMT**
(Smart Lotis Recessed 4.5 1x, 3000K, flood, damp rated, driver excluded, gold matte)

2. Select Tube Body & Driver → Page 3



Example: **SMARU-S-4.5-1X-DP-010P-DI-500-BLS**
(Smart Tube Surface 4.5, 1 lamp, damp rated, 0-10V/ELV, driver included, 500mA, black structure)

Example Order:

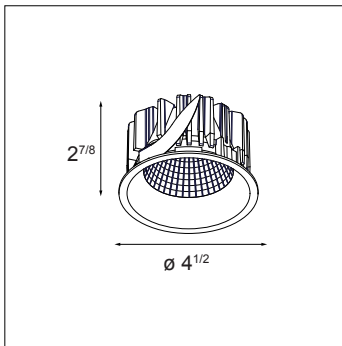
Qty.	Item
1	SMART-L-R-4.5-1X-30F-DP-DE-GOMT
1	SMARU-S-4.5-1X-DP-010P-DI-500-BLS

Lamp Specifications & Ordering Information

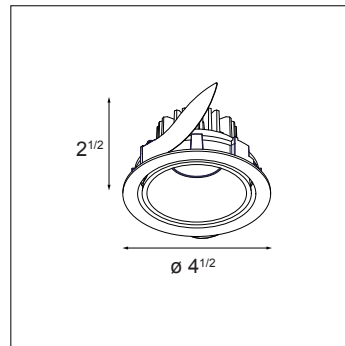
- Aperture: 4" (fixed version) / 3.1" (adjustable version)
- Adjustability: 0-25° (adjustable version only)
- Trim Material: Cast Aluminum
- Trim Finish: Powder Coat or Wet Paint*
- Must be combined with box & mask

* Wet Paint is only used for the gold finish

Lamp Module Finish Options



Smart Lotis Recessed 4.5



Smart Lotis Recessed Adjustable 4.5

Ordering Information

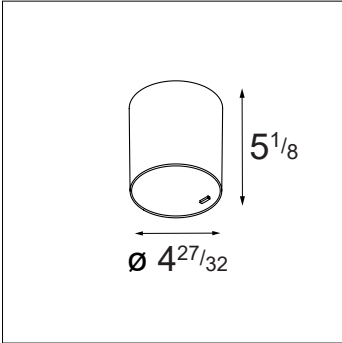
SMART-L-R-4.5-1X				DP		DE	
Smart Lotis Recessed 4.5 1x	[blank] No Glass ⁽¹⁾	27 2700K	S Spot 13° ⁽¹⁾	DP Damp Location	DE Driver Excluded	WHS White Structure	
	MPG Microprismatic Glass ⁽²⁾	30 3000K	M Medium 25° ^{(1)/(2)}			BLS Black Structure	
	FRG Frosted Glass ⁽³⁾	35 3500K	F Flood 39° ⁽¹⁾ /41° ⁽²⁾ /37° ⁽³⁾			GOMT Gold Matt	

SMART-L-R-A-4.5-1X				DP		DE	
Smart Lotis Recessed Adjustable 4.5 1x	27 2700K	S Spot 13°	DP Damp Location	DE Driver Excluded	WHS White Structure		
	30 3000K	M Medium 25°			BLS Black Structure		
	35 3500K	F Flood 39°			GOMT Gold Matt		

Tube & Driver Specifications

- Tube Material: Cast Aluminum
- Driver: Included in tube
- Designed to install to a 4x4 octagonal junction box
- Weight: 2.4lbs

Tube Finish Options



Smart Tube Surface 4.5

Driver Specifications

DRIVER	OUTPUT CURRENT	INPUT VOLTAGE	DIMMING TYPE	TYPICAL DIMMING LEVEL**	CONNECTED LOAD (TYPICAL)	
					FIXED	ADJUSTABLE
010P-500	500mA	120-277VAC, 120VAC*	0-10V, ELV & Triac	1%	19.1 W	10.5 W

* Dimming via ELV and Triac only compatible at 120VAC

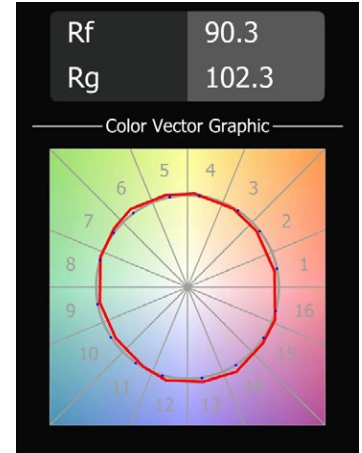
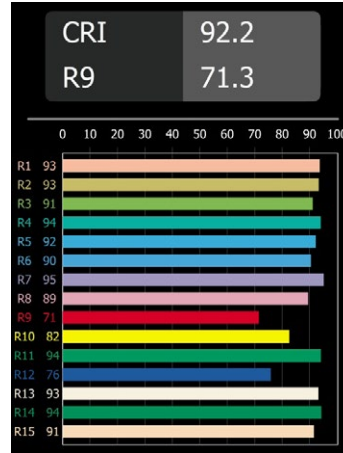
** Consult the factory for dimmer compatibility

Tube Ordering Information

		DP	010P	DI	500		
SMARU-S-4.5-1X	Smart Tube Surface 4.5, 1 lamp	DP Damp Rated	010P 0-10V/ELV/Triac	DI Driver Included	500 500mA	WHS	White Structure
SMARU-S-A-4.5-1X	Smart Tube Surface Adjustable 4.5, 1 lamp					BLS	Black Structure

Performance Specifications (per lamp)

	Fixed	Adjustable
Weight	1.3lbs	1.0lbs
Adjustability	-	0-25°
CRI*	92, R9: 71	
Location	Damp	
Lifetime	L80 B20 @ 50.000 hrs	
UGR	see website	
Electrical (typical)		
	Fixed	Adjustable
	500mA	500mA
Vf	31.3V	14.4V
Power	15.7W	7.2W



*CRI & TM-30 Value for 3000K, Fixed

For photometric files see website or contact factory

Output Specifications

Reference: 3000K, 40deg (FL), 500mA, White
Values below are typical
() indicates multipliers

Fixed Lamp

Reference Delivered Lumens	CCT	Optics	Current	Finish
1574	2700K (0.88) 3000K ((1.0) 3500K (0.98)	S (1.04) M (1.0) F (1.0) MPG M (1.01) MPG F (xxx) FRG F (xxx)	500mA (1.0)	WHS (1.0) GOMT (0.98) BLS (0.96)

Adjustable Lamp

Reference Delivered Lumens	CCT	Optics	Current	Finish
963	2700K (0.96) 3000K ((1.0) 3500K (1.04)	S (1.02) M (1.03) F (1.0)	500mA (1.0)	WHS (1.0) GOMT (0.94) BLS (0.90)

Example Calculation

To determine typical output for 2700K, Medium optic, 500mA in Gold:
963 x 0.96 x 1.03 x 1.0 x 0.94 = 895lumen

Listings and Certifications

- Damp location listed
- cUL & UL listed

Warranty

Visit <https://www.supermodular.com/warranty>