

Smart Lotis Tube Surface 4.5

Overview

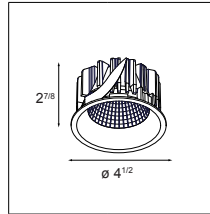


Smart Lotis is the best known fixture within the Smart family. The deeply recessed cone which holds the light source inspired the designers to create a very versatile spot to be combined with multiple accessories.

With an outer diameter of 4.5" and an aperture of 4 inches (fixed version) or 3.1 inches (adjustable version), the Smart Lotis 4.5 is compact yet powerful. Combined with a tube (cylinder) that is offered in multiple finishes, the beautiful combinations are yours to discover.

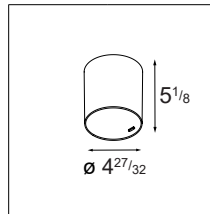
How to Specify (example)

1. Select Lamp Unit → Page 2



Example: **SMART-L-R-4.5-1X-MG-30F-DP-DE-GOMT**
Smart Lotis 4.5, fix version, microprismatic glass, 3000K, flood, damp rated, gold

2. Select Tube → Page 3



Example: **SMARU-S-4.5-1X-DP-010P-DI-500-BLS**
Tube Surface 4.5, damp rated, 0-10V, ELV & Triac driver included, 500mA, black structure

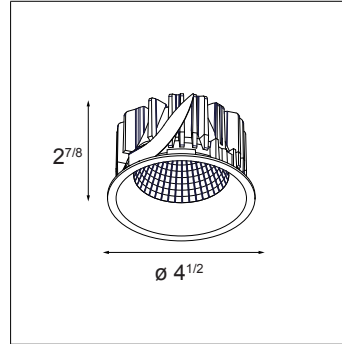
Example order:

Quantity	Item
1	SMART-L-R-4.5-1X-MG-30F-DP-DE-GOMT
1	SMARU-S-4.5-1X-DP-010P-DI-500-BLS

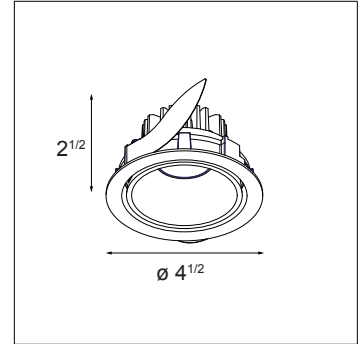
Smart Lotis Tube Surface 4.5

Lamp Specifications

- Aperture: 4" (fix version), 3.1" (adjustable version)
- Adjustability: 0-25° (adjustable version only)
- Trim material: cast aluminum
- Trim finish: powder coat or wet paint
- Must be combined with Tube



Smart Lotis 4.5 (fix version)

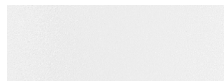


Smart Lotis Adjustable 4.5 (adjustable version)

Finish Information



Black Structure (BLS)
Powder Coat (Matte)



White Structure (WHS)
Powder Coat (Matte)



Gold (GOMT)
Wet Paint (Matte)

Ordering Information

SMART-L-R-4.5-1X					DP	DE					
SMART-L-R-4.5-1X	Smart Lotis 4.5 (fix version)	MG	Microprismatic Glass	27	2700K	F	Flood (41°) ⁽²⁾	DP	Damp Location	BLS	Black Structure
		FG	Frosted Glass ⁽¹⁾	30	3000K	M	Medium (25°)			WHS	White Structure
				35	3500K	S	Spot (16°)			GOMT	Gold Matte
SMART-L-R-A-4.5-1X					DP	DE					
SMART-L-R-A-4.5-1X	Smart Lotis Adjustable 4.5 (adjustable version) ⁽³⁾			27	2700K	F	Flood (39°)	DP	Damp Location	BLS	Black Structure
				30	3000K	M	Medium (25°)			WHS	White Structure
				35	3500K	S	Spot (13°)			GOMT	Gold Matte

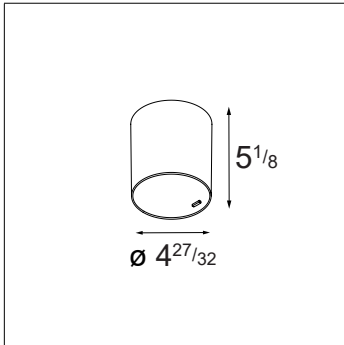
⁽¹⁾ Frosted Glass can only be combined with a Flood beam angle

⁽²⁾ Frosted Glass version: 37°

⁽³⁾ Adjustable version is always provided without a Glass

Tube Specifications

- Tube material: cast aluminum
- Tube finish: powder coat
- Driver: included in the tube
- Suitable for 1 lamp unit
- Tube completely covers a 4"x4" octagonal junction box (no covers needed)
- Weight: 2.4lbs

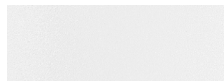


Tube Surface 4.5

Finish Information



Black Structure (BLS)
Powder Coat (Matte)



White Structure (WHS)
Powder Coat (Matte)

Box Specifications & Ordering Information

Ordering Code	Version	Finish	Input	Output	Dim ⁽⁶⁾	Connected Load
Fix ⁽⁴⁾						
SMARU-S-4.5-1X-DP-010P-DI-500-BLS	Tube Surface 4.5	Black Structure	120-277VAC ⁽⁵⁾	500mA DC	0-10V, ELV & Triac - 1%	19.1W
SMARU-S-4.5-1X-DP-010P-DI-500-WHS	Tube Surface 4.5	White Structure	120-277VAC ⁽⁵⁾	500mA DC	0-10V, ELV & Triac - 1%	19.1W
Adjustable ⁽⁴⁾						
SMARU-A-S-4.5-1X-DP-010P-DI-500-BLS	Tube Surface 4.5	Black Structure	120-277VAC ⁽⁵⁾	500mA DC	0-10V, ELV & Triac - 1%	10.5W
SMARU-A-S-4.5-1X-DP-010P-DI-500-WHS	Tube Surface 4.5	White Structure	120-277VAC ⁽⁵⁾	500mA DC	0-10V, ELV & Triac - 1%	10.5W

⁽⁴⁾ Version must match Lamp version (page 2)

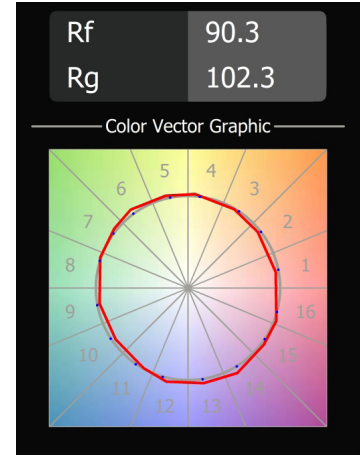
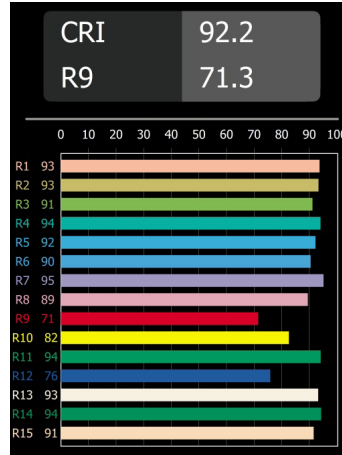
⁽⁵⁾ Dimming via ELV & Triac only compatible at 120VAC input

⁽⁶⁾ Consult the factory for dimmer compatibility

Performance Specifications (per lamp unit)

Lamp Unit	Fix	Adjustable
Weight	1.3lbs	1.0lbs
Adjustability	-	0-25°
Location	damp	damp
CRI*	92, R9: 71	92, R9: 71
Lifetime	L80 B20 @ 50,000 hrs	L80 B20 @ 50,000 hrs
UGR	see website	see website
<hr/>		
Electrical (typical)	Fix	Adjustable
Drive Current (mA DC)	500	500
Forward Voltage (V)	31.3	14.4
LED Power (W)	15.7	7.2

* CRI & TM-30 Value for 3000K



For photometric files see website or contact factory.

Output Specifications (per lamp unit)

Reference Delivered Lumens	CCT	Optics	Drive Current	Finish
Fix				
1712 (ref. 3000K, MG F, 500mA WHS)	2700K (0.95) 3000K (1.00) 3500K (1.07)	MG F (1.00) MG M (1.03) MG S (1.03) FG F (0.90)	500mA (1.00)	BLS (0.94) WHS (1.00) GOMT (0.97)
Adjustable				
749 (ref. 3000K, F, 500mA WHS)	2700K (0.96) 3000K (1.00) 3500K (1.04)	F (1.00) M (1.03) S (1.02)	500mA (1.00)	BLS (0.90) WHS (1.00) GOMT (0.94)

Multipliers are indicated between brackets: ()

Example calculation, to determine typical output for Fix, 2700K, Microprismatic Glass, Medium, 500mA Black Structure: 1712 x (0.95) x (1.03) x (1.00) x (0.94) = 1574 lumens

Listings and Certifications

- Listed: cULus
- Damp locations



Warranty

- Visit <https://www.supermodular.com/en-us/warranty/>