



**MODULAR**  
LIGHTING  
INSTRUMENTS  
— by MLI NA Corporation

---

Project

---

Type

---

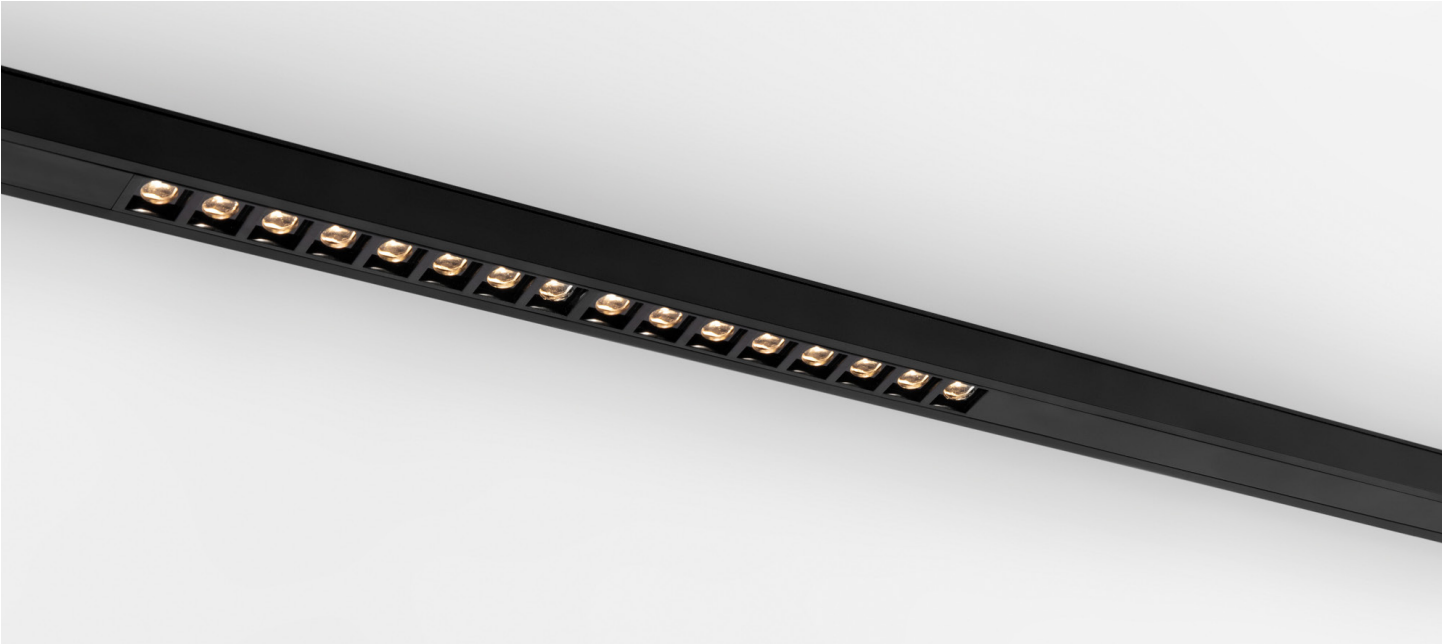
Contact

---

## *Pista Linear Spots Track 48V*

### **Overview**

When you look up to see what's giving small, charming light bursts underneath our slim rail, you'll see it: a trail of tiny but powerful LED spots. As they are fully integrated in the profile, nothing sticks out beneath. Available in units of 8x and 16x, in black and white structure, the spots enable designers to create accents using a linear module, and still enjoy Pista's streamlined design. Choose between 2 beam angles, medium or flood, and 1-10V or DALI dimming systems.

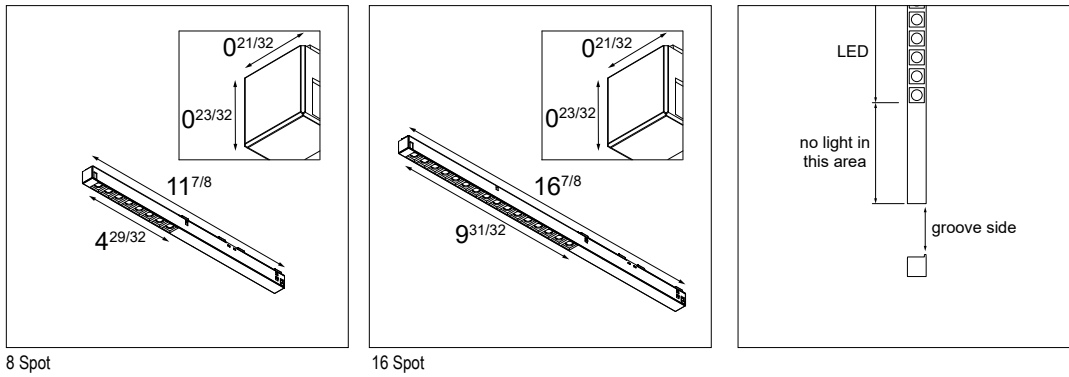


## Pista Linear Spots Track 48V

### Luminaire Specifications & Ordering Information

- For use with Pista 48V track systems
- Shell Material: Polycarbonate (colored)
- Fixtures attach magnetically to track and can be removed with linear removal tool (PISTA-T48-LLREMOVER)
- Force to remove from track: 13.5lbs

### Finish Options



### Pista Track Compatibility

	SURFACE / SUSPENDED TRACK	SUSPENDED UP / DOWN TRACK		RECESSED FLANGED TRACK	RECESSED TRIMLESS TRACK
		UP PORTION	DOWN PORTION		
Linear Spots	Ⓜ	Ⓜ	Ⓜ	Ⓜ	Ⓜ

See separate track datasheets for track information and accessories

### Ordering Information

<b>PISTL</b>	-	<b>LS</b>	-	<b>T48</b>	-	<b>1X</b>	-	<b>DY</b>	-	<b>DI</b>	-		
<b>S</b>	Linear Spots	<b>11.9</b>	8 Spots	<b>27</b>	2700K	<b>M</b>	Medium (25°)	<b>DY</b>	Dry Location	<b>0101</b>	0-10V	<b>WHS</b>	White Structure
		<b>16.9</b>	16 Spots	<b>30</b>	3000K	<b>F</b>	Flood (40°)			<b>D</b>	DALI	<b>BLS</b>	Black Structure
				<b>35</b>	3500K								

## Pista Linear Spots Track 48V

### Performance Specifications (per luminaire)

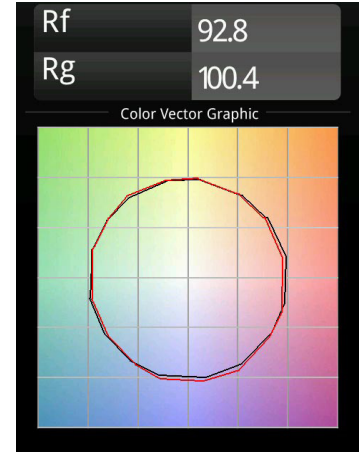
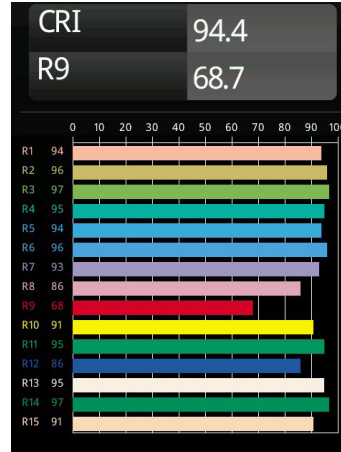
	<b>8x</b>	<b>16x</b>
Weight	0.2lbs	0.3lbs
Location	Dry	
Lifetime	L80 B20 @ 50,000 hrs	
UGR	see website	

#### Electrical (typical)

# Spots	Color Temperature	Dim Type	Input Voltage	Connected Load	Dimming Level**
8	Fixed CCT	0-10V	48VDC	9W	1%
8	Fixed CCT	DALI*	48VDC	9W	1%
16	Fixed CCT	0-10V	48VDC	19W	1%
16	Fixed CCT	DALI*	48VDC	19W	1%

\* Compatible with Casambi Wireless Pista Module. See track datasheets for more details.

\*\* Consult the factory for dimmer compatibility



CRI & TM-30 Value for 3000K

For photometric files see website or contact factory

### Output Specifications

All Values are typical delivered Lumens  
( ) indicates multipliers, reference is 3000K, Flood, White

Spot Configuration	Reference Delivered Lumens	CCT	Optics	Finish
8x	699	2700K (0.93) 3000K (1.0) 3500K (1.09)	F (1.0) M (1.14)	WHS (1.0) BLS (0.95)
16x	1498	2700K (0.93) 3000K (1.0) 3500K (1.09)	F (1.0) M (1.08)	WHS (1.0) BLS (0.94)

#### Example Calculation

To determine typical output for 8x, 2700K, Medium in Black.  
 $699 \times 0.93 \times 1.14 \times 0.95 = 704$  lumen

### Listings and Certifications

- Dry location listed
- cUL & UL listed

### Warranty

Visit <https://www.supermodular.us/warranty>