

## *Pista Linear Spots Track 48V*

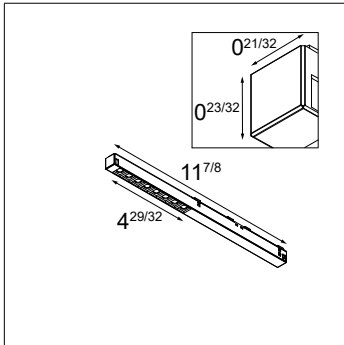
### *Overview*



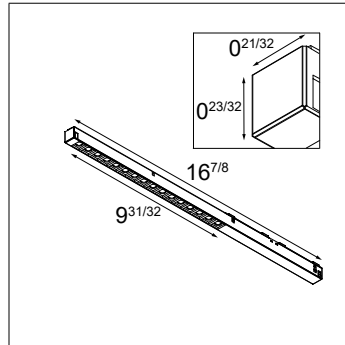
When you look up to see what's giving small, charming light bursts underneath our slim rail, you'll see it: a trail of tiny but powerful LED spots. As they are fully integrated in the profile, nothing sticks out beneath. Available in units of 8x and 16x, in black and white structure, the spots enable designers to create accents using a linear module, and still enjoy Pista's streamlined design. Choose between 2 beam angles, medium or flood, and 0-10V or DALI dimming systems.

## Luminaire Specifications

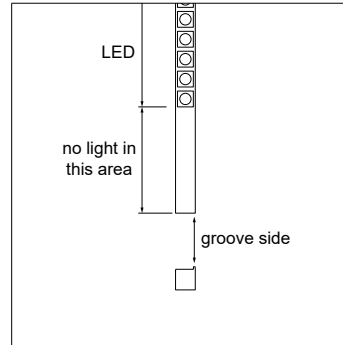
- For use with Pista 48V track systems
- Body material: polycarbonate (colored)
- Upon insertion, fixtures attach magnetically to the track
- Fixtures can be moved in the track by sliding
- Fixtures can be removed from the track with the linear removal tool (ordering code: PISTA-T48V-LLREMOVER)
- Force to remove from track: 13.5lbs



Pista Linear Spots Track 48V 11.9 (8 spots)



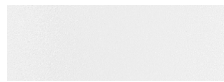
Pista Linear Spots Track 48V 16.9 (16 spots)



## Finish Information



Black Structure (BLS)  
Polycarbonate (Matte)



White Structure (WHS)  
Polycarbonate (Matte)

## Pista Track Compatibility

	Surface Track Suspended Track	Suspended Up / Down Track		Recessed Flanged Track	Recessed Trimless Track
		Up Portion	Down Portion		
Pista Linear Spots Track 48V 11.9 (8 spots)	Ⓜ	Ⓜ	Ⓜ	Ⓜ	Ⓜ
Pista Linear Spots Track 48V 16.9 (16 spots)	Ⓜ	Ⓜ	Ⓜ	Ⓜ	Ⓜ

See separate track datasheets for track information and accessories

## Ordering Information

				DY							
<b>PISTL-S-T48-11.9-1X</b>	Pista Linear Spots Track 48V 11.9 (8 spots)	<b>27</b>	2700K	<b>M</b>	Medium (25°)	<b>DY</b>	Dry Location	<b>0101</b>	0-10V	<b>BLS</b>	Black Structure
<b>PISTL-S-T48-16.9-1X</b>	Pista Linear Spots Track 48V 16.9 (16 spots)	<b>30</b>	3000K	<b>F</b>	Flood (40°)			<b>D</b>	DALI	<b>WHS</b>	White Structure
		<b>35</b>	3500K								

## Pista Linear Spots Track 48V

### Performance Specifications (per luminaire)

	11.9 (8 spots)	16.9 (16 spots)
Weight	0.2lbs	0.3lbs
Location	dry	dry
CRI*	94, R9: 68	94, R9: 68
Lifetime	L90 B20 @ 50,000 hrs	L90 B20 @ 50,000 hrs
UGR	see website	see website

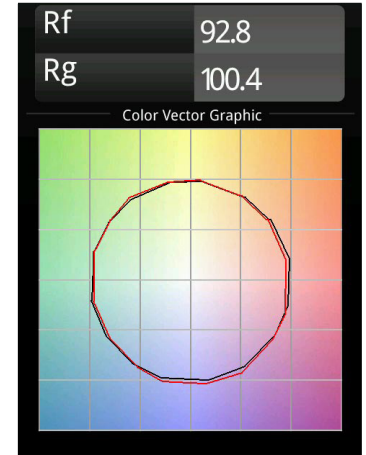
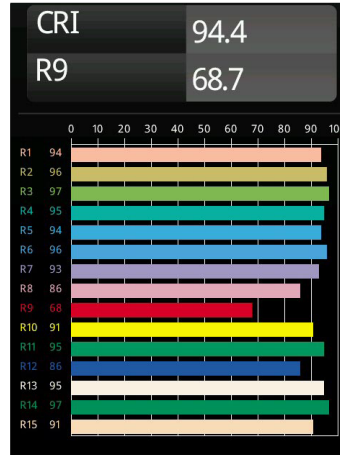
#### Electrical (typical)

Lamp Units	Dim Type	Input Voltage	Connected Load	Dim Level***
11.9 (8 spots)	0-10V	48VDC	9W	1%
11.9 (8 spots)	DALI**	48VDC	9W	1%
16.9 (16 spots)	0-10V	48VDC	19W	1%
16.9 (16 spots)	DALI**	48VDC	19W	1%

\* CRI & TM-30 Value for 3000K

\*\* Compatible with Casambi Wireless Pista Module. See track datasheets for more details

\*\*\* Consult the factory for dimmer compatibility



For photometric files see website or contact factory.

### Output Specifications (per lamp unit)

Reference Delivered Lumens	CCT	Optics	Finish
<b>11.9 (8 spots)</b>			
699 (ref. 3000K, F, WHS)	2700K (0.93) 3000K (1.00) 3500K (1.09)	M (1.14) F (1.00)	BLS (0.95) WHS (1.00)
<b>16.9 (16 spots)</b>			
1498 (ref. 3000K, F, WHS)	2700K (0.93) 3000K (1.00) 3500K (1.09)	M (1.08) F (1.00)	BLS (0.94) WHS (1.00)

Multipliers are indicated between brackets: ( )

Example calculation, to determine typical output for 11.9 (8 spots) version, 2700K, Medium, Black Structure: 699 x (0.93) x (1.14) x (0.95) = 704 lumens

### Listings and Certifications

- Classified: cULus
- Dry locations



### Warranty

- Visit <https://www.supermodular.com/en-us/warranty>