



Project

Type

Contact

## Smart Kup Tube Track 48V Suspended

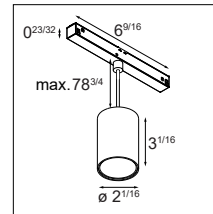
### Overview



Smart Tube Track 48V Suspended is equipped with a 48V track adapter that makes our popular design one of many luminaires joining our Pista magnetic rail track. A long and thin matte black suspension cable holds our design at your perfect height and brings light and personality to your space.

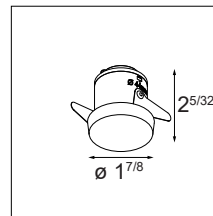
### How to Specify (Example)

#### 1. Select Tube → Page 2



Example: **SMARU-T48-SP-1.9-1X-DY-0101-DI-BLS**  
(Smart Tube Track 48V Suspended 1.9, 1 lamp, dry rated, 0-10V control, driver included, black structure)

#### 2. Select Lamp Module → Page 3



Example: **SMART-K-R-1.9-1X-30M-DP-DE-GOMT**  
(Smart Kup Recessed 1.9 1x, 3000K, medium, damp rated, driver included, gold matte)

#### Example Order:

Qty.	Item
1	SMARU-T48-SP-1.9-1X-DY-0101-DI-BLS
1	SMART-K-R-1.9-1X-30M-DP-DE-GOMT

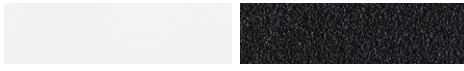


## Smart Kup Tube Track 48V Suspended

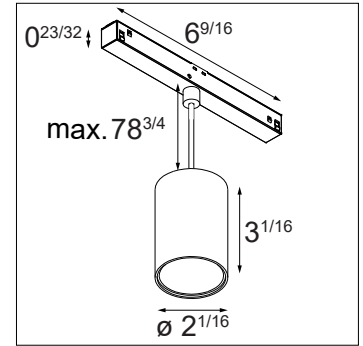
### Suspended Tube Specifications

- For use with Pista 48V track systems
- Body Material: Cast Aluminum
- Finish: Powder coat
- Cable diameter: 0.14"
- Cable color: black
- Cable length can be shortened during installation
- Fixtures attach magnetically to the track and can be moved by sliding.
- Force to remove from track: 13.5lbs

### Tube Finish Options



White Structure (WHS) Powder Coat (Matte)    Black Structure (BLS) Powder Coat (Matte)



Smart Tube Track Suspended

### Pista Track Compatibility

	SURFACE / SUSPENDED TRACK	SUSPENDED UP / DOWN TRACK		RECESSED FLANGED TRACK	RECESSED TRIMLESS TRACK
		UP PORTION	DOWN PORTION		
Pista Suspended Tube	M		M	M	M

See separate track datasheets for track information and accessories

### Tube Ordering Information

**SMARU-T48-SP-1.9-1X**

**DY**

**DI**

Smart Tube Track 48V Suspended 1.9, 1 lamp

**DY** Dry  
Location

**0101** 0-10V  
**D** Dali

**DI** Driver  
Included

**WHS** White Structure  
**BLS** Black Structure

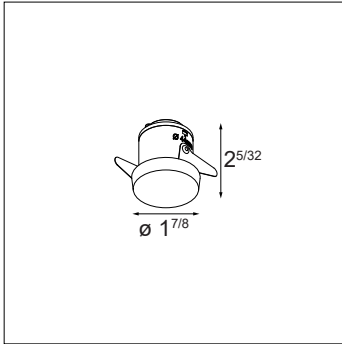
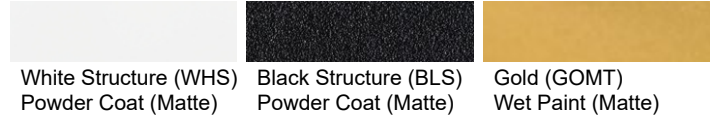
## Smart Kup Tube Track 48V Suspended

### Lamp Specifications & Ordering Information

- Aperture: 1.8"
- Trim Material: Cast Aluminum
- Trim Finish: Powder Coat or Wet Paint\*
- Must be combined with Pista surface tube

\* Wet Paint is only used for the gold finish

### Finish Options



Smart Kup Recessed 1.9

### Ordering Information

<b>SMART-K-R-1.9-1X</b>				<b>DE</b>			
Smart Kup Recessed 1.9 1x	<b>[blank]</b> Clear Glass <sup>(1)</sup>	<b>27</b>	2700K	<b>M</b> Medium 28 <sup>(1)/(2)</sup>	<b>DP</b> Damp Location	<b>DE</b> Driver Excluded	<b>WHS</b> White Structure
	<b>MPG</b> Microprismatic Glass <sup>(2)</sup>	<b>30</b>	3000K				<b>BLS</b> Black Structure
		<b>35</b>	3500K				<b>GOMT</b> Gold Matt

## Smart Kup Tube Track 48V Suspended

### Performance Specifications (per luminaire)

Weight	0.7lbs
Location	Dry
CRI*	92, R9: 60
Lifetime	L80 B20 @ 50,000 hrs
UGR	see website

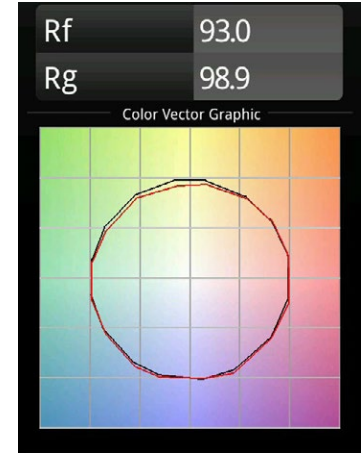
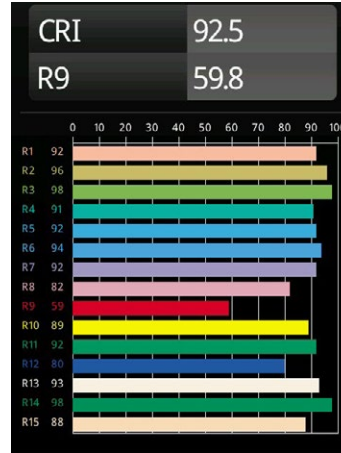
#### Electrical (typical)

	Dim Type	Input Voltage	Connected Load	Dimming Level***
1X	0-10V	48VDC	6.5W	1%
1X	DALI**	48VDC	6.5W	1%

\* CRI & TM-30 Value for 3000K

\*\* Compatible with Casambi Wireless Pista Module. See track datasheets for more details.

\*\*\* Consult the factory for dimmer compatibility



For photometric files see website or contact factory

### Output Specifications

Performance per head  
Reference is 3000K, medium beam, White  
( ) indicates multipliers

Reference Delivered Lumens	CCT	Optics	Finish
311 (3000K, ME, 500mA, WHS)	2700K (0.87) 3000K (1.0) 3500K (0.91)	MPG M (1.05) M (1.0)	WHS (1.0) GOMT (0.97) BLS (0.90)

#### Example Calculation

To determine typical output for 2700K, Microprismatic optic, 350mA in Gold.

$$311 \times 0.87 \times 1.05 \times 0.97 = 276 \text{ lumen}$$

### Listings and Certifications

- Dry location listed
- cUL & UL listed

### Warranty

Visit <https://www.supermodular.com/warranty>