

Pista Suspended Up/Down Track

Overview

Pista is the ultimate in modern aesthetics, introducing thinner, slimmer magnetic track rails, even smaller light fixtures and ultra-thin cables. But Pista isn't just about miniaturization, it's also about personalization. Designers can create unique configurations and play with different modules on single or multiple track rails in different lengths, light effects and colors.



Pista Suspended Up/Down Track

Track Specifications & Ordering Information

General

- Fixtures attach magnetically to the track
- Profile Finish: powder coat
- Can be field cut
- Weight: 0.9lbs per foot
- Dry locations only

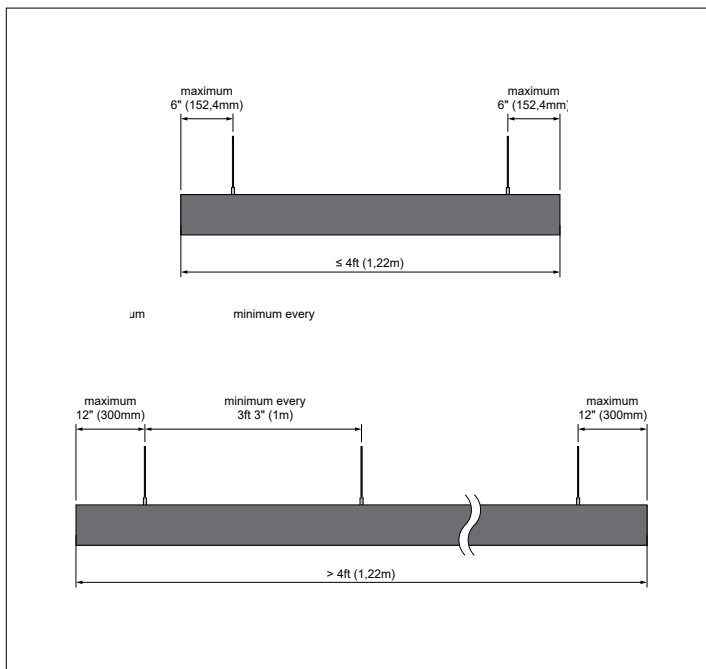
Electrical

- cUL Class II only
- 48V DC (see power supply section)
- Circuits: Upper side: 1 circuit + Data bus, lower side: 1 circuit + Data bus
- Upper and lower circuits can be electrically connected using power feeds
- Maximum 100W per track circuit
- Dimming: 0-10V or DALI (specified separately in the fixture)

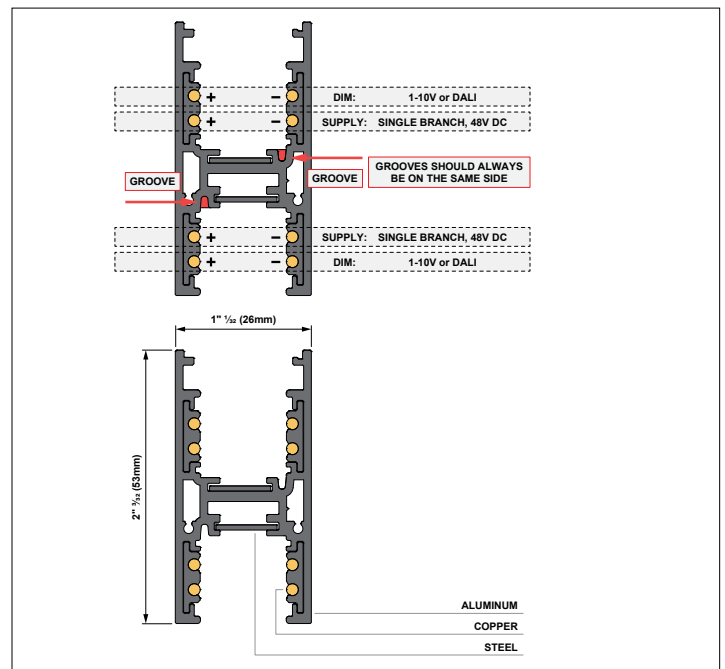
Finish Information



Minimum Suspension Fixation



Materials Dimensions & Electrical



Ordering Information

PISTA-T48V-PROF - UD - DY

| UD Up/Down | 39.4 | 39.4" long (1m) |
|------------|-------|------------------|
| | 78.7 | 78.7" long (2m) |
| | 118.1 | 118.1" long (3m) |

DY Dry Location

| | |
|------|-----------------------------|
| WHS | White Structure |
| BLS | Black Structure |
| BRBA | Bronze Brushed Anodised* |
| CHBA | Champagne Brushed Anodised* |

* Only available for 78.7 & 118.1 inch profiles

Pista Suspended Up/Down Track

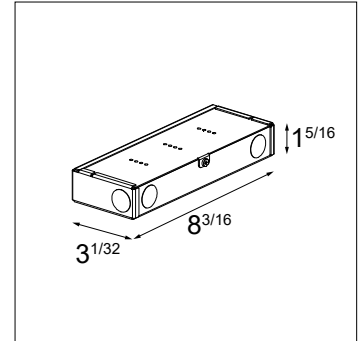
Power Supply Specifications & Ordering Information

REMOTE POWER SUPPLIES

- Must be used with power feed cable + connection box (page 4)
- For cabinet and surface mount use only.
- 4 mounting holes for surface mounting
- 4 knockout holes for low voltage wiring and 4 knockout holes for high voltage wiring
- May be placed up to 50ft away from track using 16AWG wire
- Maximum load: 90% of rated power
- Dry rated
- Weight: 1.4lbs

Ordering Information

| SELECTION | ORDERING CODE | POWER | INPUT VOLTAGE | OUTPUT VOLTAGE |
|-----------|--------------------------------|-------|---------------|----------------|
| | PISTA-T48V-LEDPWRSUPPLY-60W-DY | 60W | 120 & 277VAC | 48VDC |
| | PISTA-T48V-LEDPWRSUPPLY-96W-DY | 96W | 120 & 277VAC | 48VDC |

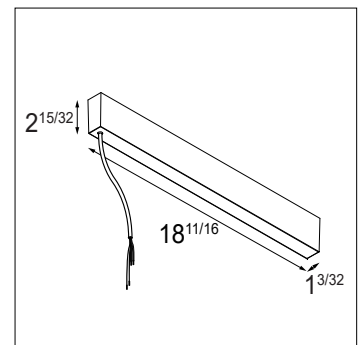


SURFACE MOUNTED POWER SUPPLIES FOR SUSPENDED TRACK

- Included: Plaster finish plate for 4x4 octagonal junction box (cover plates optional)
- Box Material: Cast Aluminum
- Cable finish: PVC
- Cable color: black
- Cable diameter: 0.27"
- Cable length: 78.7"
- Cable length can be field adjusted
- Conductors: 4x 18AWG
- Maximum load: 90% of rated power
- Dry rated
- Weight: 2.2lbs

Ordering Information

| PISTA-T48V-SMLEDPWRSUPPLY | SS | DY |
|---------------------------|------------------------|-----------------|
| 40W | SS For Suspended Track | DY Dry Location |
| 60W | | |
| 96W | | |



Finish Information

| | |
|-----------------------------------|-----------------------------------|
| White Structure (WHS) Powder Coat | Black Structure (BLS) Powder Coat |
|-----------------------------------|-----------------------------------|

WHS White Structure
BLS Black Structure

Pista Suspended Up/Down Track

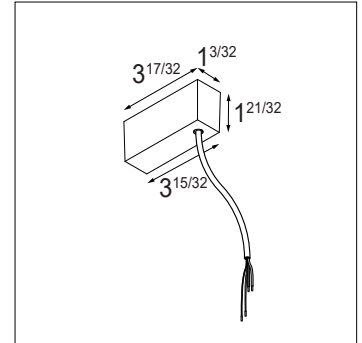
Power Supply Specifications & Ordering Information - contd.

POWER FEED CABLE + CONNECTION BOX

- Only used with remote power supply (page 3)
- Included: Plaster finish plate for 4x4 octagonal junction box (cover plates optional)
- Box Material: Cast Aluminum
- Cable finish: PVC
- Cable color: black
- Cable diameter: 0.27"
- Cable length: 78.7"
- Cable length can be field adjusted
- Conductors: 4x 18AWG
- Dry rated
- Weight: 0.5lbs

Ordering Information

| SELECTION | ORDERING CODE | ITEM | COLOR |
|-----------|-------------------------------|-----------------------------------|-----------------|
| | PISTA-T48V-PFC-CONNBOX-DY-WHS | Power Feed Cable + Connection Box | White Structure |
| | PISTA-T48V-PFC-CONNBOX-DY-BLS | Power Feed Cable + Connection Box | Black Structure |



Finish Information



OPTIONAL BACKPLATES

- Accessories are optional (plaster plate comes standard)
- Backplate / Cover Plate provides a cUL listed option for covering a 4x4 octagonal or 3x2 electrical box
- Cover Plate Material: Stainless steel
- Cover Plate Finish: Powder Coat
- Plate Thickness: 0.08"
- Weight: 0.5lbs (for Connection Box)
- Weight: 2.0lbs (for Surface Mounted Power Supply)

Ordering Information

| | | | |
|------------------------|---|---|---|
| PISTA-T48V-BP-C | - | - | - |
|------------------------|---|---|---|

32 For 3"x2"
junction box

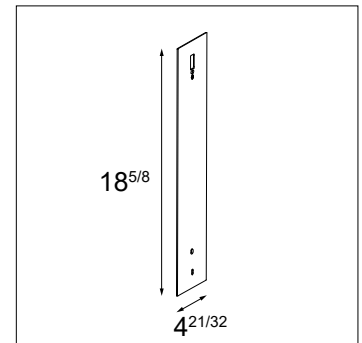
44 For 4"x4"
junction box

CB For use with the power feed
cable + connection box

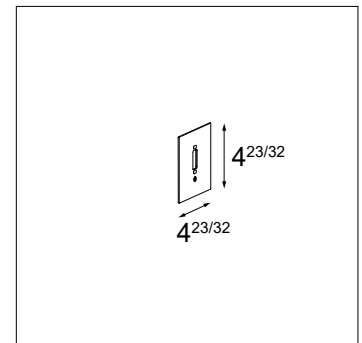
SMGB For use with the surface
mounted power supply

WHS White Structure

BLS Black Structure



For Surface Mounted Power Supply



For Power Feed Cable + Connection Box

Finish Information



Pista Suspended Up/Down Track

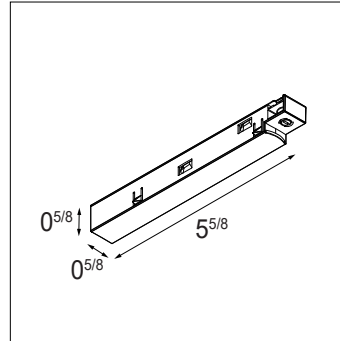
Connectors, Installation Components & Accessories

POWER FEEDS

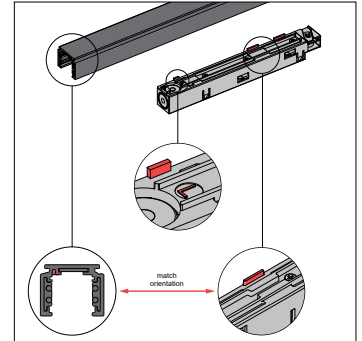
- “Groove” side is the difference between left and right
- Left vs. Right does not matter if in the middle of the track
- For use with 16-18AWG wire
- Weight: 0.1lbs

Ordering Information

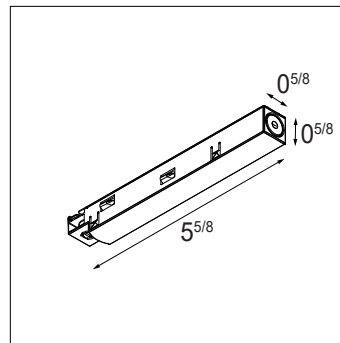
| SELECTION | ORDERING CODE | DIRECTION | COLOR |
|-----------|---------------------------|-----------|-------|
| | PISTA-T48V-PFLEFT-DY-WHS | Left | White |
| | PISTA-T48V-PFLEFT-DY-BLS | Left | Black |
| | PISTA-T48V-PFRIGHT-DY-WHS | Right | White |
| | PISTA-T48V-PFRIGHT-DY-BLS | Right | Black |



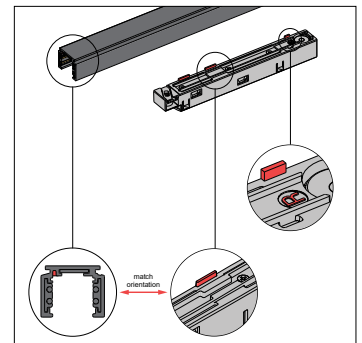
Power feed left



Power feed left - Groove orientation



Power feed right



Power feed right - Groove orientation

Pista Suspended Up/Down Track

Connectors, Installation Components & Accessories - cntd.

SUSPENDED TRACK CONNECTORS & ACCESSORIES

180 Deg Connector

- Weight: 0.1lbs

Flexible Connector

- Cable diameter: 0.27"
- Cable color: black
- Cable length can be field adjusted
- Weight: 0.5lbs

90 Deg Connector

- Weight: 0.3lbs

Suspension Cable

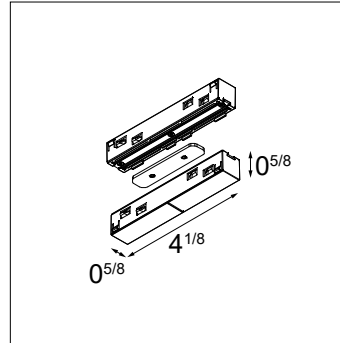
- Cable color: black
- Cable Diameter: 0.03"
- Cable length can be field adjusted
- Weight: 0.07lbs

Up/Down Suspended Endplates

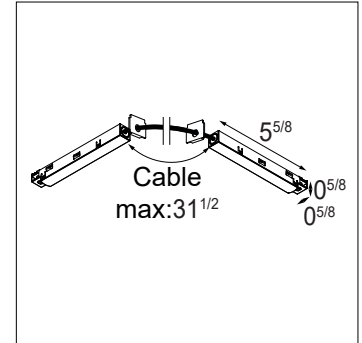
- Set of 2
- Non-conductive
- Weight: 0.04lbs

Ordering Information

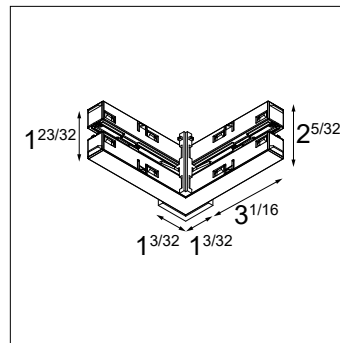
| SELECTION | ORDERING CODE | ITEM | COLOR |
|-----------|-------------------------------|---------------------------|-----------|
| | PISTA-T48V-CONN180-UD-DY-WHS | 180 Deg Up/Down Connector | White |
| | PISTA-T48V-CONN180-UD-DY-BLS | 180 Deg Up/Down Connector | Black |
| | PISTA-T48V-CONNFLEX-DY-WHS | Flexible Connector | White |
| | PISTA-T48V-CONNFLEX-DY-BLS | Flexible Connector | Black |
| | PISTA-T48V-CONN90-UD-DY-WHS | 90 Deg Up/Down Connector | White |
| | PISTA-T48V-CONN90-UD-DY-BLS | 90 Deg Up/Down Connector | Black |
| | PISTA-T48V-CABLE-UD-SS-DY-WHS | Suspension Cable | White |
| | PISTA-T48V-CABLE-UD-SS-DY-BLS | Suspension Cable | Black |
| | PISTA-T48V-ENDPLATE-UD-DY-WHS | Up/Down Endplate | White |
| | PISTA-T48V-ENDPLATE-UD-DY-BLS | Up/Down Endplate | Black |
| | PISTA-T48V-ENDPLATE-UD-DY-BR | Up/Down Endplate | Bronze |
| | PISTA-T48V-ENDPLATE-UD-DY-CH | Up/Down Endplate | Champagne |



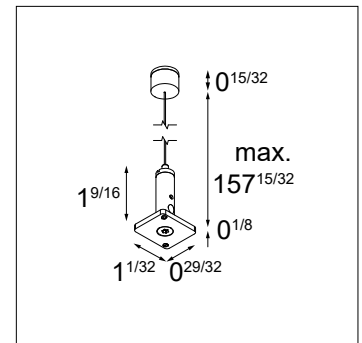
180 Deg Connector



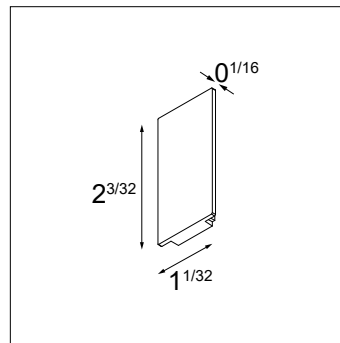
Flexible Connector



90 Deg Connector



Suspension Cable



Up/Down Suspended Endplates

Pista Suspended Up/Down Track

Connectors, Installation Components & Accessories - contd.

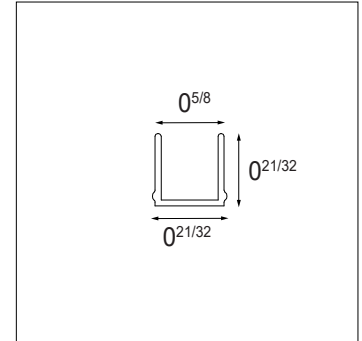
FINISHING ACCESSORIES

Finishing Cover (optional)

- Can be field cut
- Non-conductive
- Weight: 0.2lbs (39.4" version)
- Weight: 0.4lbs (78.7" version)

Ordering Information

| | | | |
|-------------------------|--------------------|------------|--------------------|
| PISTA-T48V-COVER | - | DY | - |
| 39.4 | 39.4" long (1m) | DY | Dry Location |
| 78.7 | 78.7" long (2m) | | |
| | | WHS | White Structure |
| | | BLS | Black Structure |



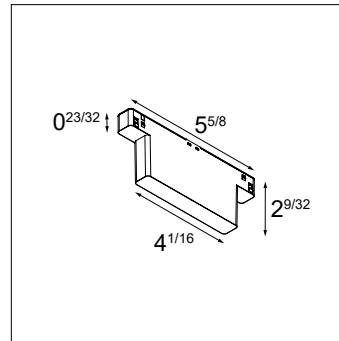
Finishing Cover

Control Accessories

CASAMBI WIRELESS CONTROL

Casambi Track 48V Dim Module

- Utilizes Bluetooth Low Energy Wireless Mesh (no control wires required)
- For individual / discrete fixture control (requires Pista fixtures to be DALI dimmable)
- Connect up to 64 DALI track 48V fixtures to one dim module
- Not to be connected to an existing DALI network; only use as independent system
- Contact customer service for the latest configuration & setup documentation
- Weight: 0.1lbs (39.4" version)



Casambi Track 48V Dim Module



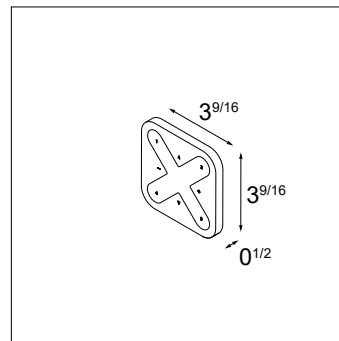
Casambi Track 48V Dim Module

Casambi Wireless Switch

- Range: up to 164 ft in open air
- Weight: 0.2lbs

Ordering Information

| SELECTION | ORDERING CODE | ITEM | COLOR |
|-----------|-------------------------------|-------------------------|-------|
| | PISTA-T48V-CASAMBI-DIM-WHS | 48 Pista Control Module | White |
| | PISTA-T48V-CASAMBI-DIM-BLS | 48 Pista Control Module | Black |
| | PISTA-T48V-CASAMBI-SWITCH-WHS | Wireless Switch | White |



Casambi Wireless Switch



Casambi Wireless Switch

Listings and Certifications

- Dry location listed
- cUL & UL listed

Warranty

Visit <https://www.supermodular.com/warranty>