

## *Pista Track 48V Recessed Trimless*

### *Overview*



Pista is the ultimate in modern aesthetics, introducing thinner, slimmer magnetic track rails, even smaller light fixtures and ultra-thin cables. But Pista isn't just about miniaturization, it's also about personalization. Designers can create unique configurations and play with different modules on single or multiple track rails in different lengths, light effects and colors.

## General Information

### General

- Profile finish: powder coat
- Profile is secured to the ceiling with mounting brackets (included, see Track Profile section)
- Dry locations only
- Spot and linear fixtures available, see separate datasheets for detailed information
- Upon insertion, fixtures attach magnetically to the Track Profile or lock into the Track Profile
- Fixtures can be moved in the Track Profile by sliding

### Electrical

- UL Class 2 only
- 48V DC (see Power Supply section)
- Circuits: 1 circuit + data bus
- Maximum 100W per track circuit
- Dimming: 0-10V or DALI (specified separately in the fixture)

## Finish Information



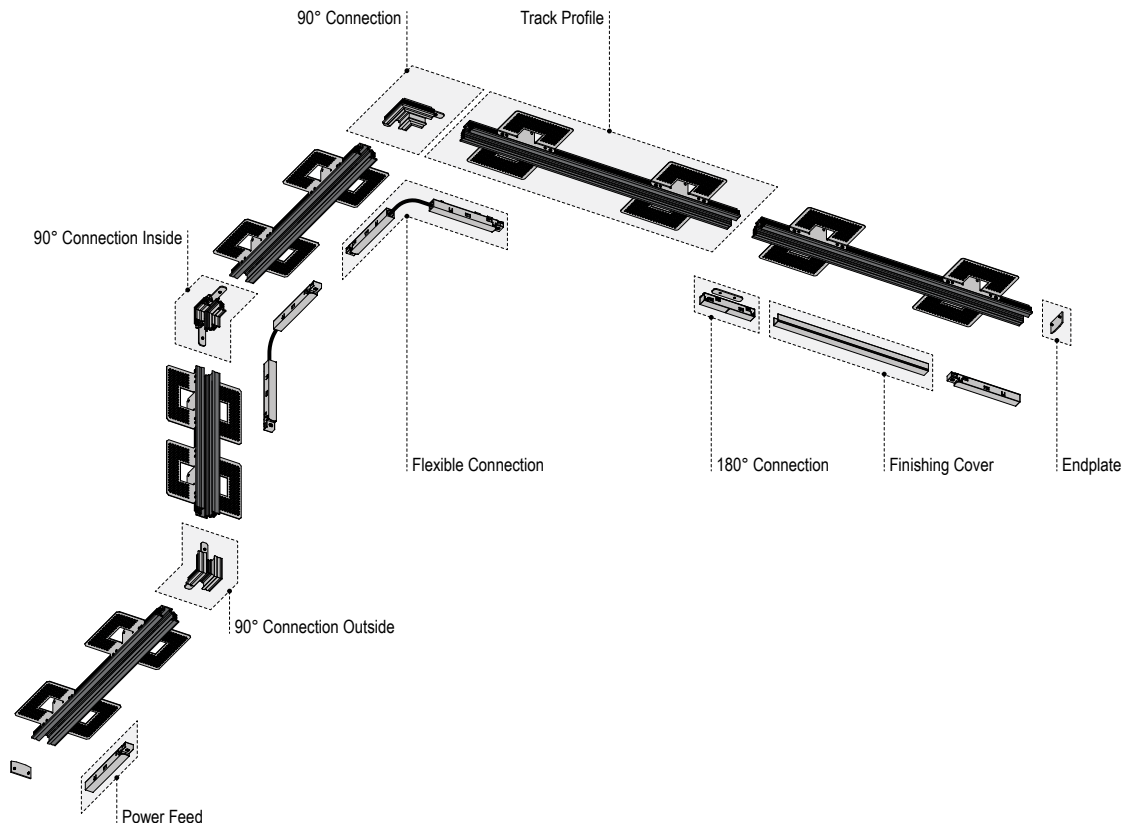
Black Structure (BLS)  
Powder Coat (Matte)



White Structure (WHS)  
Powder Coat (Matte)

## Components & Configuration

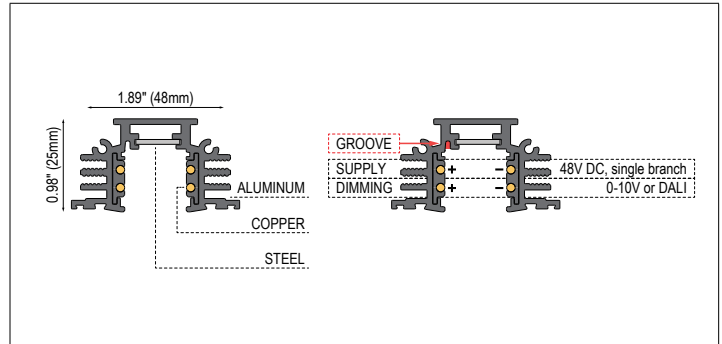
- See following pages for detailed component and ordering information



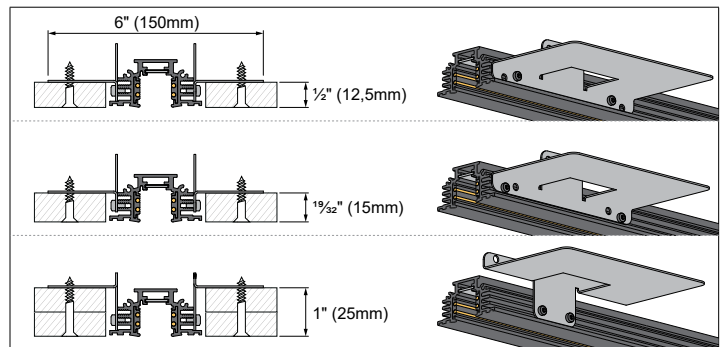
## Pista Track 48V Recessed Trimless

### Track Profile Specifications

- For recessed ceiling or wall installation
- Profile finish: powder coat
- Available lengths: 39.4", 78.7" & 118.1" (can be field cut)
- Mounting brackets are included with the Track Profile
- Power supplies and accessories are ordered separately
- Maximum load = 22lb (10kg) for profile length ≤ 39" (1m)
- Add 11lb (5kg) to the maximum load for each additional profile length of 39" (1m)
- When connecting multiple profiles, the "groove" should always be on the same side
- Weight: 0.7lbs/ft



Materials / Dimensions / Electrical



Mechanical Fixation

### Ordering Information

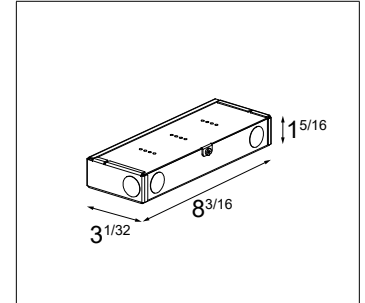
Ordering Code	Version	Length	Finish *	Quantity (pcs)
PISTA-T48V-PROF-R-39.4-DY-BL	Track Profile	39.4"	Black	
PISTA-T48V-PROF-R-78.7-DY-BL	Track Profile	78.7"	Black	
PISTA-T48V-PROF-R-118.1-DY-BL	Track Profile	118.1"	Black	

\* Track Profile is only available in black. White ceiling appearance can be achieved by using white lighting fixtures, accessories and covers.

## Pista Track 48V Recessed Trimless

### Power Supply Specifications - Remote Drivers

- Class 2 constant voltage power supply
- Must be combined with Power Feed (specify at the bottom of the page)
- For cabinet and surface mount use only
- 4 mounting holes for surface mounting
- 4 knockout holes for line voltage wiring (input)
- 4 knockout holes for low voltage wiring (output)
- May be placed up to 50ft away from track using 16AWG wire
- Maximum load: 90% of rated power
- Power factor: > 0.9
- Dry locations only
- Weight: 1.4lbs



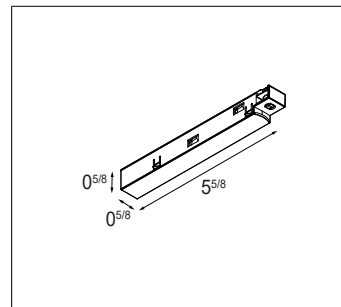
Remote Power Supply

### Electrical Specifications & Ordering Information

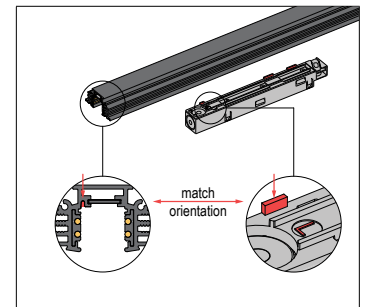
Ordering Code	Input	Output	Finish	Quantity (pcs)
PISTA-T48V-LEDPWRSUPPLY-60W-DY	120-277VAC - 50/60Hz	48VDC - 60W	n/a	
PISTA-T48V-LEDPWRSUPPLY-96W-DY	120-277VAC - 50/60Hz	48VDC - 96W	n/a	

### Track Accessories Specifications - Power Feed Connectors

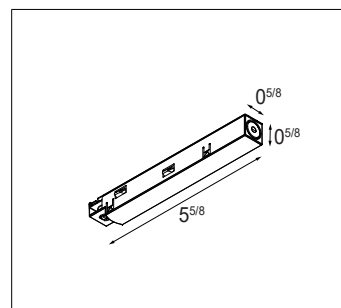
- Used to supply power to the track
- "Groove" side is the difference between Power Feed Left & Right
- Left or Right does not matter if in the middle of the track
- For use with 16-18AWG wire
- Weight: 0.1lbs



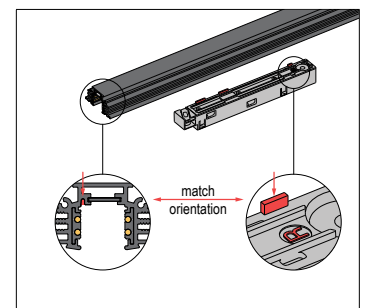
Power Feed Left



Power Feed Left - Groove Orientation



Power Feed Right



Power Feed Right - Groove Orientation

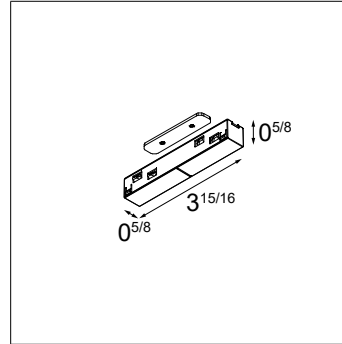
### Ordering Information

Ordering Code	Version	Finish	Quantity (pcs)
PISTA-T48V-PFLEFT-DY-BLS	Power Feed Left	Black	
PISTA-T48V-PFLEFT-DY-WHS	Power Feed Left	White	
PISTA-T48V-PFRIGHT-DY-BLS	Power Feed Right	Black	
PISTA-T48V-PFRIGHT-DY-WHS	Power Feed Right	White	

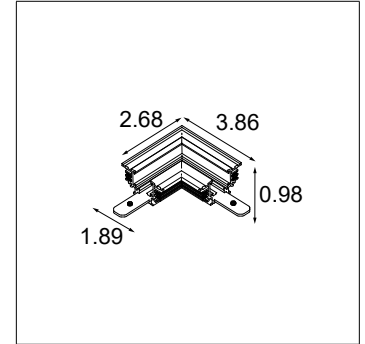
### Track Accessories Specifications - Track Connectors

#### 180° Connection

- Connects 2 tracks in the same direction (in the same plane)
- Contains mechanical connection and adapter for electrical continuity
- Can not be used to supply power to the track
- Weight: 0.1lbs



180° Connection



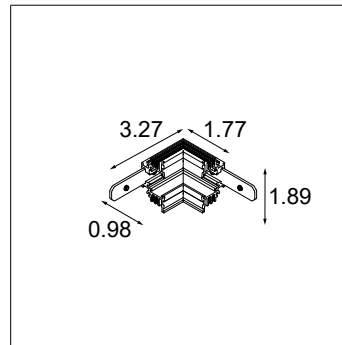
90° Connection

#### 90° Connection

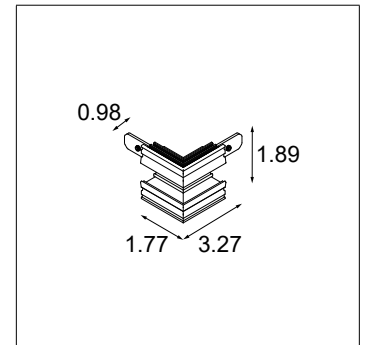
- Connects 2 tracks in a 90° angle (in the same plane)
- Contains mechanical connection only
- Must be combined with Flexible Connection for electrical continuity
- Weight: 0.2lbs

#### 90° Connection Inside

- Connects 2 tracks in a 90° angle
- Can be used for 90° wall to wall applications (inside corners)
- Can be used for 90° wall to ceiling applications (inside corners)
- Contains mechanical connection only
- Must be combined with Flexible Connection for electrical continuity
- Weight: 0.2lbs



90° Connection Inside



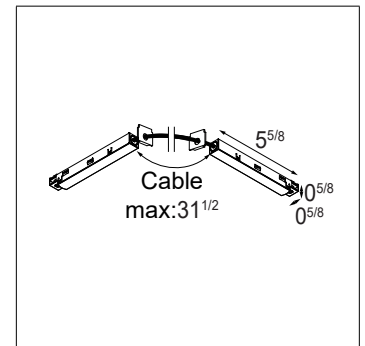
90° Connection Outside

#### 90° Connection Outside

- Connects 2 tracks in a 90° angle
- Can be used for 90° wall to wall applications (outside corners)
- Can be used for 90° ceiling to wall applications (outside corners)
- Contains mechanical connection only
- Must be combined with Flexible Connection for electrical continuity
- Weight: 0.2lbs

#### Flexible Connection

- Connects 2 tracks to each other
- Contains 2 adapters and a connection cable for electrical continuity
- Cable diameter: 0.27"
- Cable color: black
- Cable finish: PVC
- Cable length can be field adjusted
- Can not be used to supply power to the track
- Weight: 0.5lbs



Flexible Connection

### Ordering Information

Ordering Code	Version	Finish	Quantity (pcs)
PISTA-T48V-CONN180-R-DY-BLS	180° Connection	Black	
PISTA-T48V-CONN180-R-DY-WHS	180° Connection	White	
PISTA-T48V-CONN90-R-DY-BL	90° Connection	Black	
PISTA-T48V-CONN90IN-R-DY-BL	90° Connection Inside	Black	
PISTA-T48V-CONN90OUT-R-DY-BL	90° Connection Outside	Black	
PISTA-T48V-CONNFLEX-DY-BLS	Flexible Connection	Black	
PISTA-T48V-CONNFLEX-DY-WHS	Flexible Connection	White	

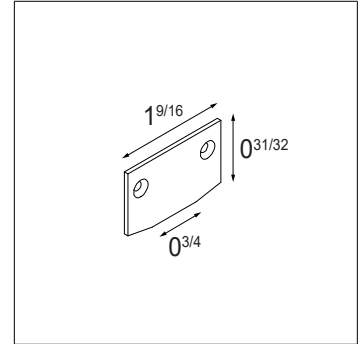
**Track Accessories Specifications - Finishing**

**Endplate**

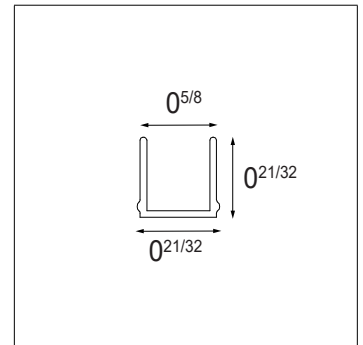
- Contains 2 endplates
- Non-conductive
- Weight: 0.03lbs

**Finishing Cover**

- Optional
- Can be field cut
- Non-conductive
- Weight: 0.2lbs (39.4" version), 0.4lbs (78.7" version)



Endplate



Finishing Cover

**Ordering Information**

Ordering Code	Version	Finish	Quantity (pcs)
PISTA-T48V-ENDPLATE-R-DY-BLS	Endplate	Black	
PISTA-T48V-COVER-39.4-DY-BLS	Finishing Cover, Length: 39.4"	Black	
PISTA-T48V-COVER-39.4-DY-WHS	Finishing Cover, Length: 39.4"	White	
PISTA-T48V-COVER-78.7-DY-BLS	Finishing Cover, Length: 78.7"	Black	
PISTA-T48V-COVER-78.7-DY-WHS	Finishing Cover, Length: 78.7"	White	

## Pista Track 48V Recessed Trimless

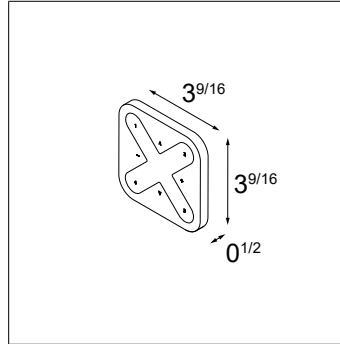
### Control Accessories Specifications - Casambi Wireless Control

#### Casambi Dim Module

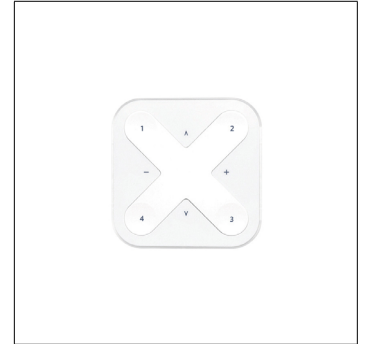
- Utilizes Bluetooth Low Energy Wireless Mesh (no control wires required)
- For individual/discrete fixture control (requires fixtures to be DALI dimmable)
- Connect up to 64 DALI track 48V fixtures to one dim module
- Not to be connected to an existing DALI network
- Only use as independent system
- Contact customer service for the latest configuration & setup documentation
- Weight: 0.1lbs

#### Casambi Wireless Switch

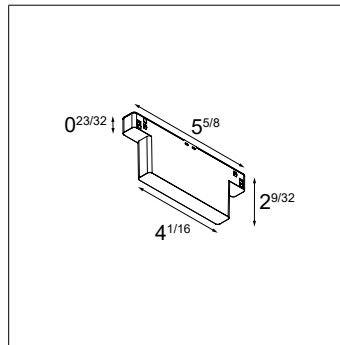
- Range: up to 164ft in open air
- Weight: 0.2lbs



Casambi Wireless Switch



Casambi Wireless Switch



Casambi Dim Module



Casambi Dim Module

### Ordering Information

Ordering Code	Version	Finish	Quantity (pcs)
PISTA-T48V-CASAMBI-DIM-BLS	Casambi Dim Module	Black	
PISTA-T48V-CASAMBI-DIM-WHS	Casambi Dim Module	White	
PISTA-T48V-CASAMBI-SWITCH-WH	Casambi Wireless Switch	White	

### Listings and Certifications

- Listed: cULus
- Dry locations



### Warranty

- Visit <https://www.supermodular.com/en-us/warranty>