



Project _____

Type _____

Contact _____

Smart Kup Tube Surface 4.5

Overview

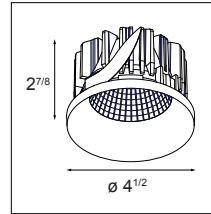


Smart Kup is one of the 3 forms of the Smart family. The cone of the Smart Kup ends in a fine trim. A trim particular Modular. The same subtle trim is used in several other Modular luminaires.

With an outer diameter of 4.5" and an aperture of 4.5 inches (fixed version) or 3.2 inches (adjustable version), the Smart Kup 4.5 is compact yet powerful. Combined with a tube (cylinder) that is offered in multiple finishes, the beautiful combinations are yours to discover.

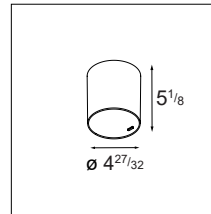
How to Specify (Example)

1. Select Lamp Module → Page 2



Example: **SMART-K-R-4.5-1X-30F-DP-DE-GOMT**
(Smart Kup Recessed 4.5 1x, 3000K, flood, damp rated, driver excluded, gold matte)

2. Select Tube Body & Driver → Page 3



Example: **SMARU-S-4.5-1X-DP-010P-DI-500-BLS**
(Smart Tube Surface 4.5, 1 lamp, damp rated, 0-10V/ELV, driver included, 500mA, black structure)

Example Order:

Qty.	Item
1	SMART-K-R-4.5-1X-30F-DP-DE-GOMT
1	SMARU-S-4.5-1X-DP-010P-DI-500-BLS

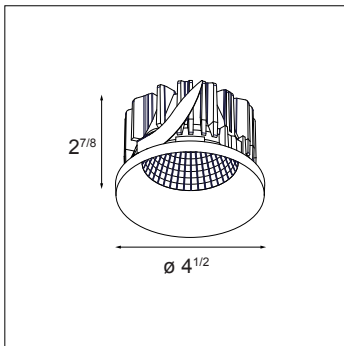
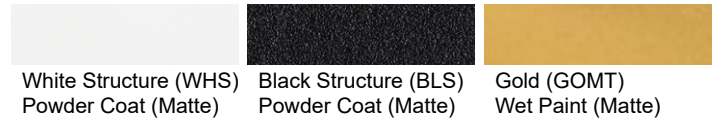


Lamp Specifications & Ordering Information

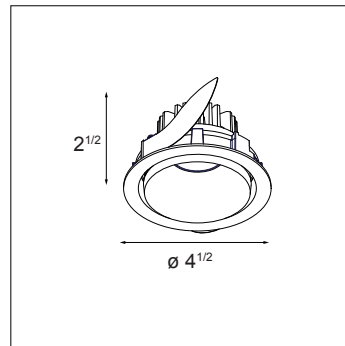
- Aperture: 4.5" (fixed version) / 3.2" (adjustable version)
- Adjustability: 0-25° (adjustable version only)
- Trim Material: Cast Aluminum
- Trim Finish: Powder Coat or Wet Paint*
- Must be combined with box & mask

* Wet Paint is only used for the gold finish

Lamp Module Finish Options



Smart Kup Recessed 4.5



Smart Kup Recessed Adjustable 4.5

Ordering Information

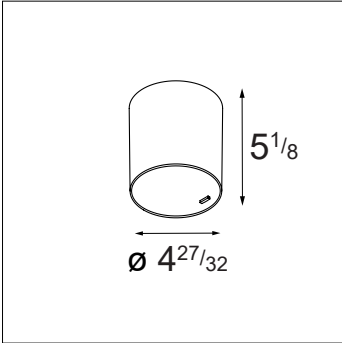
SMART-K-R-4.5-1X				DP		DE						
Smart Kup Recessed 4.5 1x	[blank]	No Glass ⁽¹⁾	27	2700K	S	Spot 13° ⁽¹⁾	DP	Damp Location	DE	Driver Excluded	WHS	White Structure
	MPG	Microprismatic Glass ⁽²⁾	30	3000K	M	Medium 25° ^{(1)/(2)}					BLS	Black Structure
	FRG	Frosted Glass ⁽³⁾	35	3500K	F	Flood 39° ⁽¹⁾ /41° ⁽²⁾ /37° ⁽³⁾					GOMT	Gold Matt

SMART-K-R-A-4.5-1X				DP		DE				
Smart Kup Recessed Adjustable 4.5 1x	27	2700K	S	Spot 13°	DP	Damp Location	DE	Driver Excluded	WHS	White Structure
	30	3000K	M	Medium 25°					BLS	Black Structure
	35	3500K	F	Flood 39°					GOMT	Gold Matt

Tube & Driver Specifications

- Tube Material: Cast Aluminum
- Driver: Included in tube
- Designed to install to a 4x4 octagonal junction box
- Weight: 2.4lbs

Tube Finish Options



Smart Tube Surface 4.5

Driver Specifications

DRIVER	OUTPUT CURRENT	INPUT VOLTAGE	DIMMING TYPE	TYPICAL DIMMING LEVEL**	CONNECTED LOAD (TYPICAL)	
					FIXED	ADJUSTABLE
010P-500	500mA	120-277VAC, 120VAC*	0-10V, ELV & Triac	1%	19.1 W	10.5 W

* Dimming via ELV and Triac only compatible at 120VAC

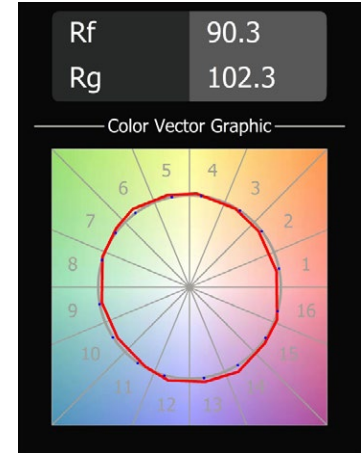
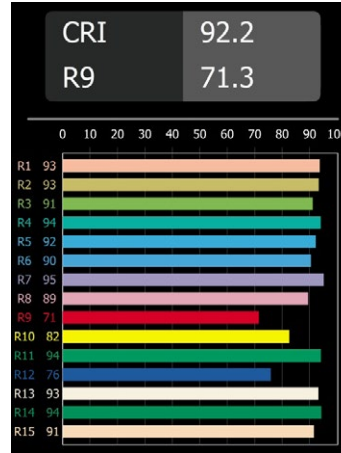
** Consult the factory for dimmer compatibility

Tube Ordering Information

		DP	010P	DI	500		
SMARU-S-4.5-1X	Smart Tube Surface 4.5, 1 lamp	DP Damp Rated	010P 0-10V/ELV/Triac	DI Driver Included	500 500mA	WHS White Structure	
SMARU-S-A-4.5-1X	Smart Tube Surface Adjustable 4.5, 1 lamp					BLS Black Structure	

Performance Specifications (per lamp)

	Fixed	Adjustable
Weight	1.3lbs	1.0lbs
Adjustability	-	0-25°
CRI*	92, R9: 71	
Location	Damp	
Lifetime	L80 B20 @ 50.000 hrs	
UGR	see website	
Electrical (typical)		
	Fixed	Adjustable
	500mA	500mA
Vf	31.3V	14.4V
Power	15.7W	7.2W



*CRI & TM-30 Value for 3000K, Fixed

For photometric files see website or contact factory

Output Specifications

Reference: 3000K, 40deg (FL), 500mA, White
Values below are typical
() indicates multipliers

Fixed Lamp

Reference Delivered Lumens	CCT	Optics	Current	Finish
1574	2700K (0.88) 3000K ((1.0) 3500K (0.98)	S (1.04) M (1.0) F (1.0) MPG M (1.01) MPG F (xxx) FRG F (xxx)	500mA (1.0)	WHS (1.0) GOMT (0.98) BLS (0.96)

Adjustable Lamp

Reference Delivered Lumens	CCT	Optics	Current	Finish
963	2700K (0.96) 3000K ((1.0) 3500K (1.04)	S (1.02) M (1.03) F (1.0)	500mA (1.0)	WHS (1.0) GOMT (0.94) BLS (0.90)

Example Calculation

To determine typical output for 2700K, Medium optic, 500mA in Gold:
963 x 0.96 x 1.03 x 1.0 x 0.94 = 895lumen

Listings and Certifications

- Damp location listed
- cUL & UL listed

Warranty

Visit <https://www.supermodular.com/warranty>