

## Smart Lotis Tube Track 48V Suspended 1.9

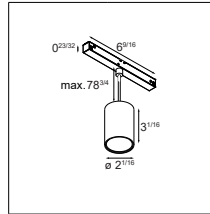
### Overview



Smart Tube Track 48V Suspended is equipped with a 48V track adapter that makes our popular design one of many luminaires joining our Pista magnetic track rail. A long and thin matte black suspension cable holds our design at your perfect height and brings light and personality to your space.

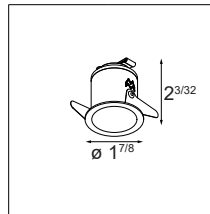
### How to Specify (example)

#### 1. Select Tube → Page 2



Example: **SMARU-T48-SP-1.9-1X-DY-0101-WHS**  
 Smart Tube Track 48V Suspended, dry rated, 0-10V, white structure

#### 2. Select Lamp Unit → Page 3



Example: **SMART-L-R-1.9-1X-MG-30M-DP-DE-GOMT**  
 Smart Lotis 1.9, microprismatic glass, 3000K, medium, damp rated, gold

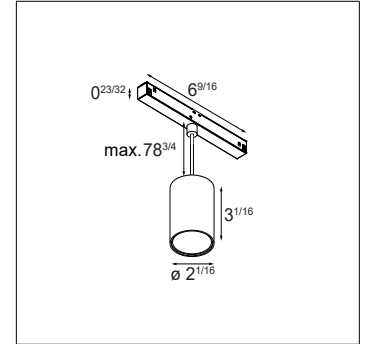
#### Example order:

Quantity	Item
1	<b>SMARU-T48-SP-1.9-1X-DY-0101-WHS</b>
1	<b>SMART-L-R-1.9-1X-MG-30M-DP-DE-GOMT</b>

## Smart Lotis Tube Track 48V Suspended 1.9

### Luminaire Specifications

- For use with Pista 48V track systems
- Tube material: cast aluminum
- Tube finish: powder coat
- Cable finish: TPE
- Cable color: black
- Cable diameter: 0.14"
- Cable length is field adjustable
- Suitable for 1 lamp unit
- Upon insertion, fixtures attach magnetically to the track
- Fixtures can be moved in the track by sliding
- Force to remove from track: 13.5lbs



Smart Tube Track 48V Suspended 1x

### Finish Information



Black Structure (BLS)  
Powder Coat (Matte)



White Structure (WHS)  
Powder Coat (Matte)

### Pista Track Compatibility

	Surface Track Suspended Track	Suspended Up / Down Track		Recessed Flanged Track	Recessed Trimless Track
		Up Portion	Down Portion		
Smart Tube Track 48V Suspended 1x	M		M	M	M

See separate track datasheets for track information and accessories

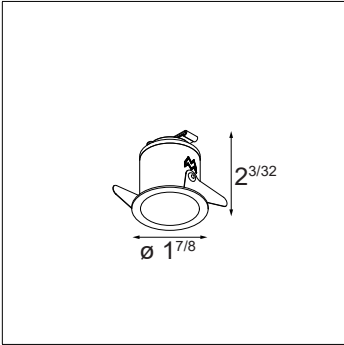
### Ordering Information

<b>SMARU-T48-SP-1.9</b>		-	<b>1X</b>		-	<b>DY</b>		-		-	
<b>SMARU-T48-SP-1.9</b>	Smart Tube Track 48V Suspended		<b>1X</b>	For 1 lamp unit		<b>DY</b>	Dry Location		<b>0101</b>	0-10V	<b>BLS</b> Black Structure
									<b>D</b>	DALI	<b>WHS</b> White Structure

## Smart Lotis Tube Track 48V Suspended 1.9

### Lamp Specifications

- Aperture: 1.5"
- Trim material: cast aluminum
- Trim finish: powder coat or wet paint
- Must be combined with tube

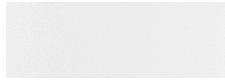


Smart Lotis 1.9

### Finish Information



Black Structure (BLS)  
Powder Coat (Matte)



White Structure (WHS)  
Powder Coat (Matte)



Gold (GOMT)  
Wet Paint (Matte)

### Ordering Information

SMART-L-R-1.9-1X				M		DP		DE			
<b>SMART-L-R-1.9-1X</b>	Smart Lotis Recessed 1.9	<b>MG</b>	Microprismatic Glass	<b>27</b>	2700K	<b>M</b>	Medium (27°)	<b>DP</b>	Damp Location	<b>BLS</b>	Black Structure
				<b>30</b>	3000K					<b>WHS</b>	White Structure
				<b>35</b>	3500K					<b>GOMT</b>	Gold Matte

## Smart Lotis Tube Track 48V Suspended 1.9

### Performance Specifications (per luminaire)

	<b>1x</b>
Weight	0.7lbs
Location	dry
CRI*	92, R9: 60
Lifetime	L80 B20 @ 50,000 hrs
UGR	see website

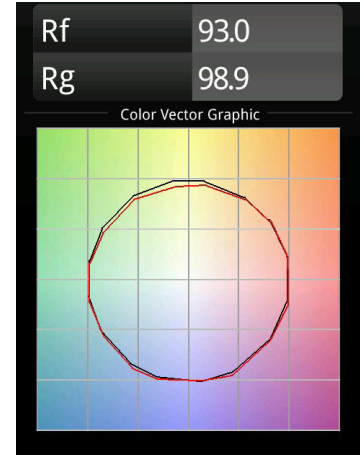
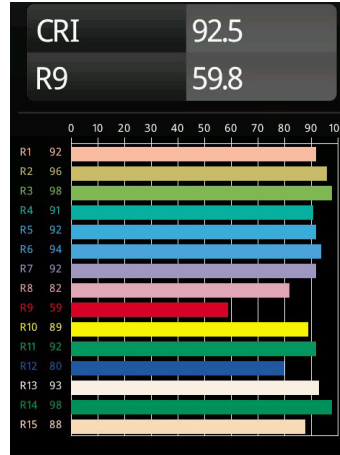
#### Electrical (typical)

Lamp Units	Dim Type	Input Voltage	Connected Load	Dim Level***
1x Fixed CCT	0-10V	48VDC	6.5W	1%
1x Fixed CCT	DALI**	48VDC	6.5W	1%

\* CRI & TM-30 Value for 3000K

\*\* Compatible with Casambi Wireless Pista Module. See track datasheets for more details

\*\*\* Consult the factory for dimmer compatibility



For photometric files see website or contact factory.

### Output Specifications (per lamp unit)

Reference Delivered Lumens	CCT	Optics	Finish
305 (ref. 3000K, MG M, 500mA, WHS)	2700K (0.87) 3000K (1.00) 3500K (0.91)	MG M (1.00)	BLS (0.99) WHS (1.00) GOMT (1.03)

Multipliers are indicated between brackets: ( )

Example calculation, to determine typical output for 2700K, Microprismatic Glass, Medium, Black Structure: 305 x (0.87) x (1.00) x (0.99) = 262 lumens

### Listings and Certifications

- Classified: cULus
- Dry locations



### Warranty

- Visit <https://www.supermodular.com/en-us/warranty>