

## Smart Cake Tube Surface 4.5

### Overview

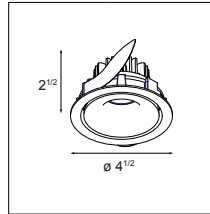


Smart Cake is part of the Smart family. This family's styling is based on our most popular iconic designs. Its gently sloping sides ensure a soft distribution of light.

With an outer diameter of 4.5" and an aperture of 4.5 inches (fixed version) or 3.3 inches (adjustable version), the Smart Cake 4.5 is compact yet powerful. Combined with a tube (cylinder) that is offered in multiple finishes, the beautiful combinations are yours to discover.

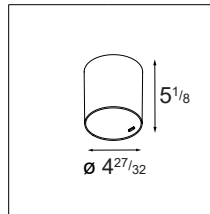
### How to Specify (example)

#### 1. Select Lamp Unit → Page 2



Example: **SMART-C-R-A-4.5-1X-30F-DP-DE-WHS**  
 Smart Cake 4.5, adjustable version, 3000K, flood, damp rated, white structure

#### 2. Select Tube → Page 3



Example: **SMARU-A-S-4.5-1X-DP-010P-DI-500-WHS**  
 Tube Surface 4.5, damp rated, 0-10V, ELV & Triac driver included, 500mA, white structure

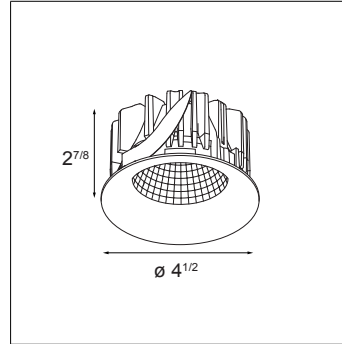
#### Example order:

Quantity	Item
1	<b>SMART-C-R-A-4.5-1X-30F-DP-DE-WHS</b>
1	<b>SMARU-A-S-4.5-1X-DP-010P-DI-500-WHS</b>

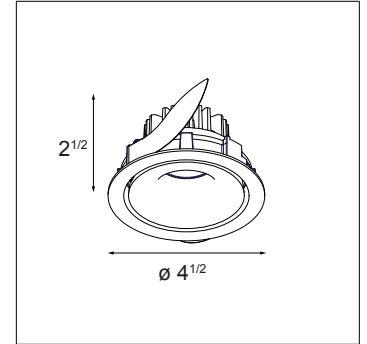
## Smart Cake Tube Surface 4.5

### Lamp Specifications

- Aperture: 4.5" (fix version), 3.3" (adjustable version)
- Adjustability: 0-25° (adjustable version only)
- Trim material: cast aluminum
- Trim finish: powder coat or wet paint
- Must be combined with Tube



Smart Cake 4.5 (fix version)

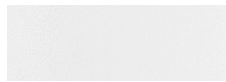


Smart Cake Adjustable 4.5 (adjustable version)

### Finish Information



Black Structure (BLS)  
Powder Coat (Matte)



White Structure (WHS)  
Powder Coat (Matte)



Gold (GOMT)  
Wet Paint (Matte)

### Ordering Information

SMART-C-R-4.5-1X					DP	DE					
SMART-C-R-4.5-1X	Smart Cake 4.5 (fix version)	MG	Microprismatic Glass	27	2700K	F	Flood (41°) <sup>(2)</sup>	DP	Damp Location	BLS	Black Structure
		FG	Frosted Glass <sup>(1)</sup>	30	3000K	M	Medium (25°)			WHS	White Structure
				35	3500K	S	Spot (17°)			GOMT	Gold Matte
SMART-C-R-A-4.5-1X					DP	DE					
SMART-C-R-A-4.5-1X	Smart Cake Adjustable 4.5 (adjustable version) <sup>(3)</sup>			27	2700K	F	Flood (39°)	DP	Damp Location	BLS	Black Structure
				30	3000K	M	Medium (25°)			WHS	White Structure
				35	3500K	S	Spot (13°)			GOMT	Gold Matte

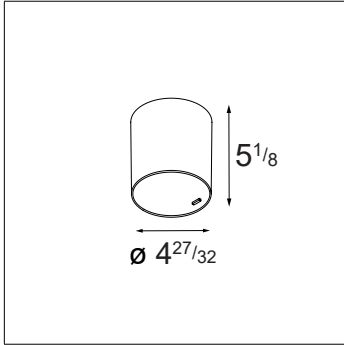
<sup>(1)</sup> Frosted Glass can only be combined with a Flood beam angle

<sup>(2)</sup> Frosted Glass version: 37°

<sup>(3)</sup> Adjustable version is always provided without a Glass

### Tube Specifications

- Tube material: cast aluminum
- Tube finish: powder coat
- Driver: included in the tube
- Suitable for 1 lamp unit
- Tube completely covers a 4"x4" octagonal junction box (no covers needed)
- Weight: 2.4lbs

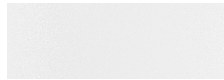


Tube Surface 4.5

### Finish Information



Black Structure (BLS)  
Powder Coat (Matte)



White Structure (WHS)  
Powder Coat (Matte)

### Box Specifications & Ordering Information

Ordering Code	Version	Finish	Input	Output	Dim <sup>(6)</sup>	Connected Load
<b>Fix <sup>(4)</sup></b>						
SMARU-S-4.5-1X-DP-010P-DI-500-BLS	Tube Surface 4.5	Black Structure	120-277VAC <sup>(5)</sup>	500mA DC	0-10V, ELV & Triac - 1%	19.1W
SMARU-S-4.5-1X-DP-010P-DI-500-WHS	Tube Surface 4.5	White Structure	120-277VAC <sup>(5)</sup>	500mA DC	0-10V, ELV & Triac - 1%	19.1W
<b>Adjustable <sup>(4)</sup></b>						
SMARU-A-S-4.5-1X-DP-010P-DI-500-BLS	Tube Surface 4.5	Black Structure	120-277VAC <sup>(5)</sup>	500mA DC	0-10V, ELV & Triac - 1%	10.5W
SMARU-A-S-4.5-1X-DP-010P-DI-500-WHS	Tube Surface 4.5	White Structure	120-277VAC <sup>(5)</sup>	500mA DC	0-10V, ELV & Triac - 1%	10.5W

<sup>(4)</sup> Version must match Lamp version (page 2)

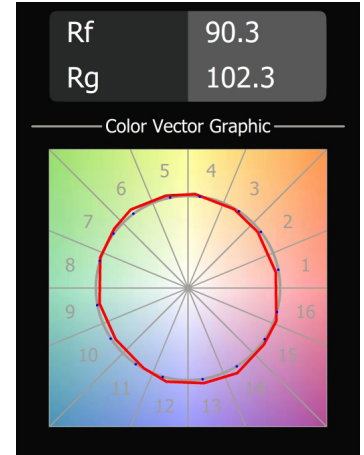
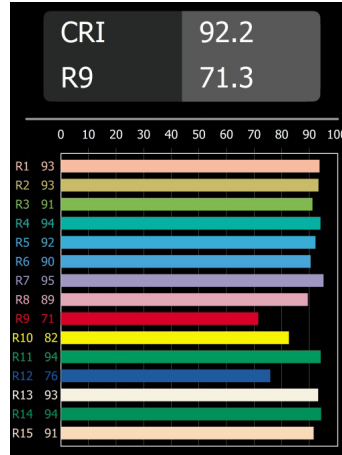
<sup>(5)</sup> Dimming via ELV & Triac only compatible at 120VAC input

<sup>(6)</sup> Consult the factory for dimmer compatibility

### Performance Specifications (per lamp unit)

Lamp Unit	Fix	Adjustable
Weight	1.3lbs	1.0lbs
Adjustability	-	0-25°
Location	damp	damp
CRI*	92, R9: 71	92, R9: 71
Lifetime	L80 B20 @ 50,000 hrs	L80 B20 @ 50,000 hrs
UGR	see website	see website
<hr/>		
Electrical (typical)	Fix	Adjustable
Drive Current (mA DC)	500	500
Forward Voltage (V)	31.3	14.4
LED Power (W)	15.7	7.2

\* CRI & TM-30 Value for 3000K



For photometric files see website or contact factory.

### Output Specifications (per lamp unit)

Reference Delivered Lumens	CCT	Optics	Drive Current	Finish
<b>Fix</b>				
1594 (ref. 3000K, MG F, 500mA WHS)	2700K (0.95) 3000K (1.00) 3500K (1.07)	MG F (1.00) MG M (1.04) MG S (1.04) FG F (0.91)	500mA (1.00)	BLS (0.87) WHS (1.00) GOMT (0.93)
<b>Adjustable</b>				
618 (ref. 3000K, F, 500mA WHS)	2700K (0.96) 3000K (1.00) 3500K (1.04)	F (1.00) M (1.06) S (1.13)	500mA (1.00)	BLS (0.75) WHS (1.00) GOMT (0.91)

Multipliers are indicated between brackets: ( )

Example calculation, to determine typical output for Fix, 2700K, Microprismatic Glass, Medium, 500mA Black Structure: 1594 x (0.95) x (1.04) x (1.00) x (0.87) = 1370 lumens

### Listings and Certifications

- Listed: cULus
- Damp locations



### Warranty

- Visit <https://www.supermodular.com/en-us/warranty/>