

## Smart Lotis Box Surface 4.5

### Overview

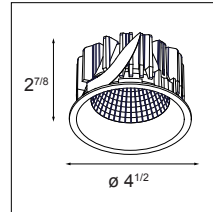


Smart Lotis is the best known fixture within the Smart family. The deeply recessed cone which holds the light source inspired the designers to create a very versatile spot to be combined with multiple accessories.

With an outer diameter of 4.5" and an aperture of 4 inches (fixed version) or 3.1 inches (adjustable version), the Smart Lotis 4.5 is compact yet powerful. Combined with a surface box that is offered in 1X and 2X and multiple finishes, the beautiful combinations are yours to discover.

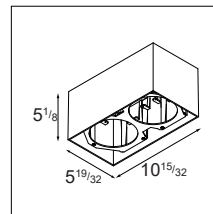
### How to Specify (Example)

#### 1. Select Lamp Module → Page 2



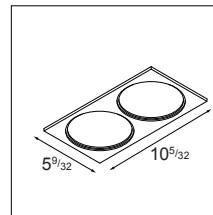
Example: **SMART-L-R-4.5-1X-30F-DP-DE-GOMT**  
(Smart Lotis Recessed 4.5 1x, 3000K, flood, damp rated, driver excluded, gold matte)

#### 2. Select Box/Driver → Page 3



Example: **SMARX-S-4.5-2X-010P-DI-500-BLS**  
(Smart Box Surface 4.5, 2 lamp, 0-10V/ELV, driver included, 500mA, black structure)

#### 3. Select Mask → Page 4



Example: **SMART-M-4.5-2X-BLS**  
(Smart Mask 4.5, 2 lamp, black structure)

#### Example Order:

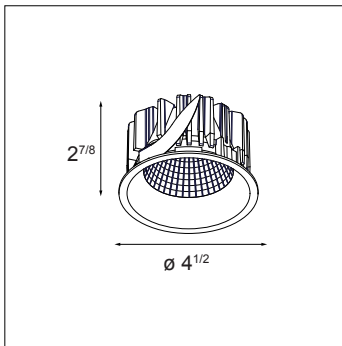
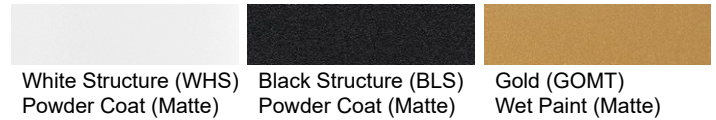
Qty	Item
2	SMART-L-R-4.5-1X-30F-DP-DE-GOMT
1	SMARX-S-4.5-2X-010P-DI-500-BLS
1	SMART-M-4.5-2X-BLS

## Lamp Specifications & Ordering Information

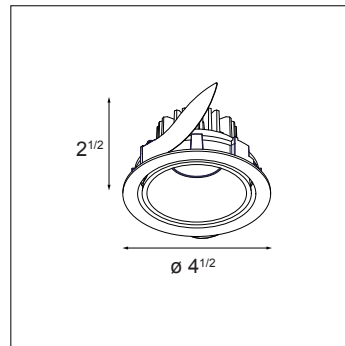
- Aperture: 4" (fixed version) / 3.1" (adjustable version)
- Adjustability: 0-25° (adjustable version only)
- Trim Material: Cast Aluminum
- Trim Finish: Powder Coat or Wet Paint\*
- Must be combined with box & mask

\* Wet Paint is only used for the gold finish

### Lamp Module Finish Options



Smart Lotis Recessed 4.5



Smart Lotis Recessed Adjustable 4.5

## Ordering Information

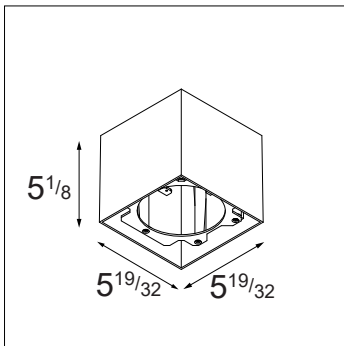
SMART-L-R-4.5-1X				DP		DE	
Smart Lotis Recessed 4.5 1x	<b>[blank]</b> No Glass <sup>(1)</sup>	<b>27</b> 2700K	<b>S</b> Spot 13° <sup>(1)</sup>	<b>DP</b> Damp Location	<b>DE</b> Driver Excluded	<b>WHS</b> White Structure	
	<b>MPG</b> Microprismatic Glass <sup>(2)</sup>	<b>30</b> 3000K	<b>M</b> Medium 25° <sup>(1)/(2)</sup>			<b>BLS</b> Black Structure	
	<b>FRG</b> Frosted Glass <sup>(3)</sup>	<b>35</b> 3500K	<b>F</b> Flood 39° <sup>(1)</sup> /41° <sup>(2)</sup> /37° <sup>(3)</sup>			<b>GOMT</b> Gold Matt	

SMART-L-R-A-4.5-1X				DP		DE	
Smart Lotis Recessed Adjustable 4.5 1x	<b>27</b> 2700K	<b>S</b> Spot 13°	<b>DP</b> Damp Location	<b>DE</b> Driver Excluded	<b>WHS</b> White Structure		
	<b>30</b> 3000K	<b>M</b> Medium 25°			<b>BLS</b> Black Structure		
	<b>35</b> 3500K	<b>F</b> Flood 39°			<b>GOMT</b> Gold Matt		

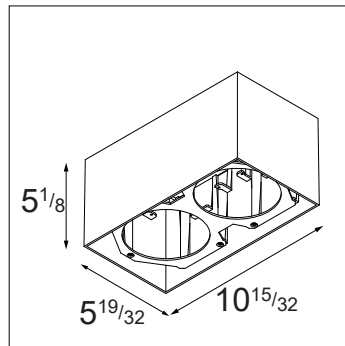
### Box & Driver Specifications

- Box Material: Cast Aluminum
- Driver: Included in box
- Box completely covers 4x4 octagonal junction boxes (no covers needed)
- Weight: 2.8lbs (1X version) / 4.5lbs (2X version)

### Box Finish Options



Smart Box Surface 4.5 1X



Smart Box Surface 4.5 2X

### Driver Specifications

DRIVER	OUTPUT CURRENT	INPUT VOLTAGE	DIMMING TYPE	TYPICAL DIMMING LEVEL**	CONNECTED LOAD (TYPICAL)			
					1X FIXED	2X FIXED	1X ADJ	2X ADJ
010P-500	500mA	120-277VAC, 120VAC*	0-10V, ELV & Triac	1%	19.1 W	38.2 W	10.5 W	21.5 W

\* Dimming via ELV and Triac only compatible at 120VAC

\*\* Consult the factory for dimmer compatibility

### Box Ordering Information

- **010P** - **DI** - **500** -

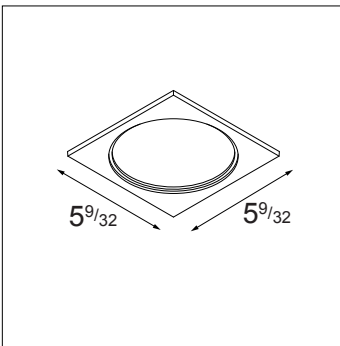
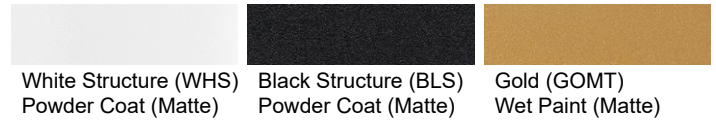
Model	Description	010P	DI	500	WHS	BLS
<b>SMARX-S-4.5-1X</b>	Smart Box Surface 4.5, 1 lamp	0-10V/ELV/Triac	Driver Included	500 500mA	White Structure	
<b>SMARX-S-4.5-2X</b>	Smart Box Surface 4.5, 2 lamp					Black Structure
<b>SMARX-S-A-4.5-1X</b>	Smart Box Surface Adjustable 4.5, 1 lamp					
<b>SMARX-S-A-4.5-2X</b>	Smart Box Surface Adjustable 4.5, 2 lamp					

## Mask Specifications

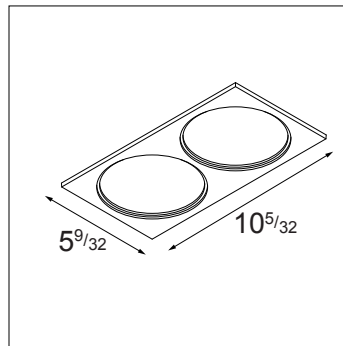
- Mask Material: Cast Aluminum
- Mask Finish: Powder Coat or Wet Paint\*
- Mask Thickness: 0.2"
- Weight: 0.2lbs (1X version) / 0.3lbs (2X version)

\* Wet Paint is only used for the gold finish

## Mask Finish Options



Single Mask



Double Mask

## Mask Ordering Information

**SMART-M-4.5** -

**1X** Single  
Luminaire

**2X** Double  
Luminaire

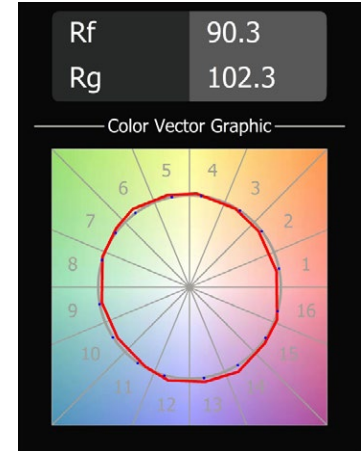
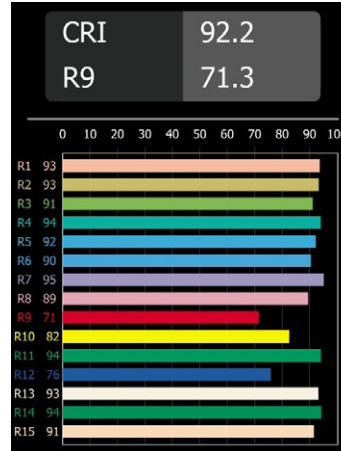
**WHS** White Structure

**BLS** Black Structure

**GOMT** Gold

### Performance Specifications (per lamp)

	Fixed	Adjustable
Weight	1.3lbs	1.0lbs
Adjustability	-	0-25°
CRI*	92, R9: 71	
Location	Damp	
Lifetime	L80 B20 @ 50.000 hrs	
UGR	see website	
Electrical (typical)		
	Fixed	Adjustable
	500mA	500mA
Vf	31.3V	14.4V
Power	15.7W	7.2W



\*CRI & TM-30 Value for 3000K, Fixed

For photometric files see website or contact factory

### Output Specifications

Reference: 3000K, 40deg (FL), 500mA, White  
Values below are typical  
( ) indicates multipliers

#### Fixed Lamp

Reference Delivered Lumens	CCT	Optics	Current	Finish
1727	2700K (0.95) 3000K (1.0) 3500K (1.07)	S (1.04) M (1.01) F (1.0) MPG M (1.01) MPG F (0.99) FRG F (0.92)	500mA (1.0)	WHS (1.0) GOMT (0.98) BLS (0.96)

#### Adjustable Lamp

Reference Delivered Lumens	CCT	Optics	Current	Finish
749	2700K (0.96) 3000K (1.0) 3500K (1.04)	S (1.02) M (1.03) F (1.0)	500mA (1.0)	WHS (1.0) GOMT (0.94) BLS (0.90)

#### Example Calculation

To determine typical output for 2700K, Medium optic, 500mA in Gold:  
 $749 \times 0.96 \times 1.03 \times 1.0 \times 0.94 = 696 \text{ lumen}$

### Listings and Certifications

- Damp location listed
- cUL & UL listed

### Warranty

Visit <https://www.supermodular.com/warranty>