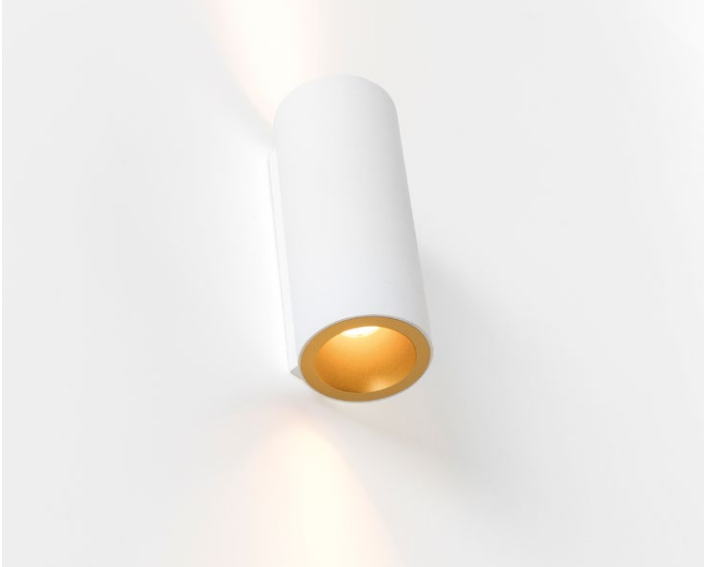


## Smart Lotis 1.9 Tube Wall

### Overview

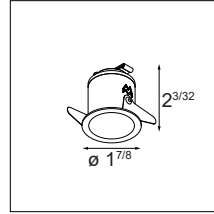


With Smart Tube Wall, illumination can now come from above and/or below. Compatible with 82mm round spots, Smart Tube Wall units direct light up and down or simply down parallel to a wall, depending on the tube length. Gear included or excluded.

With an outer diameter of 1.9" and an aperture of 1.5 inches, the Smart Lotis 1.9 is compact yet powerful. Forming a cUL class II luminaire when combined with the wall tube, the installation options are endless.

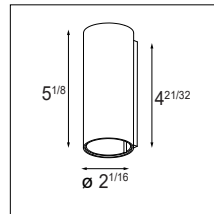
### How to Specify (Example)

#### 1. Select Lamp Module → Page 2



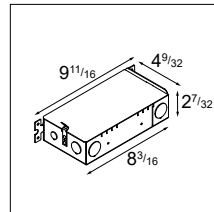
Example: **SMART-L-R-1.9-1X-30M-DP-DE-GOMT**  
(Smart Lotis Recessed 1.9, 3000K, medium, damp rated, gold matte)

#### 2. Select Tube → Page 3



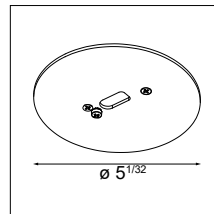
Example: **SMARU-W-UD-1.9-2X-DP-DE-WHS**  
(Smart Tube Wall Up/Down 1.9, 2 lamp, damp rated, driver excluded, white structure)

#### 3. Select Remote Driver → Page 4



Example: **NON-IC-RD-DP-010P-350-8**  
(Non IC remote driver, damp rated, 0-10V/ELV/Triac, 350mA, 8W)

#### 4. Select Optional Accessories → Page 5



Example: **BP-C-44-SMART-ST-1.9-WHS**  
(Backplate for 4x4 junction box, Smart 1.9, white structure)

#### Example Order:

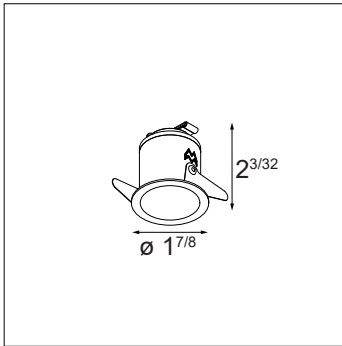
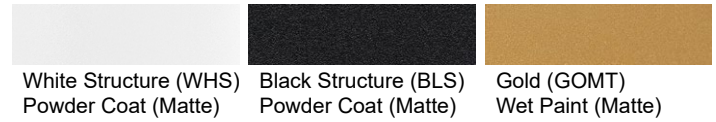
Qty.	Item
2	SMART-L-R-1.9-1X-30M-DP-DE-GOMT
1	SMARU-W-UD-1.9-2X-DP-DE-WHS
1	NON-IC-RD-DP-010P-350-8
1	BP-C-44-SMART-ST-1.9-WHS

## Lamp Specifications & Ordering Information

- Aperture: 1.5"
- Trim Material: Cast Aluminum
- Trim Finish: Powder Coat or Wet Paint\*
- Must be combined with wall tube

\* Wet Paint is only used for the gold finish

### Lamp Module Finish Options



## Ordering Information

<b>SMART-L-R-1.9-1X</b>	-	-	-	-	-	<b>DE</b>	-
Smart Lotis Recessed 1.9 1x	<b>[blank]</b> Clear Glass <sup>(1)</sup>	<b>27</b> 2700K	<b>M</b> Medium 28° <sup>(1)</sup> /44° <sup>(2)</sup>	<b>DP</b> Damp Location	<b>DE</b> Driver Excluded	<b>WHS</b> White Structure	
	<b>MPG</b> Microprismatic Glass <sup>(2)</sup>	<b>30</b> 3000K				<b>BLS</b> Black Structure	
		<b>35</b> 3500K	<b>Warm Dim</b>			<b>GOMT</b> Gold Matt	
		<b>WD</b> Warm Dim 3000K - 1800K	<b>F</b> Flood 43° <sup>(1)</sup> /44° <sup>(2)</sup>				

### Example Ordering Code

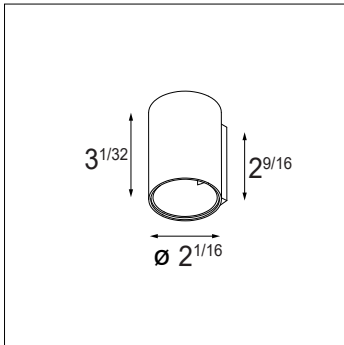
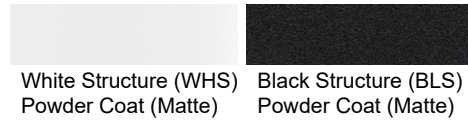
<b>SMART-L-R-1.9-1X</b>	-		-	<b>30M</b>	-	<b>DP</b>	-	<b>DE</b>	-	<b>BLS</b>
-------------------------	---	--	---	------------	---	-----------	---	-----------	---	------------

Smart Lotis Recessed 1.9 1x, 3000K, medium, damp rated, driver excluded, black structure)

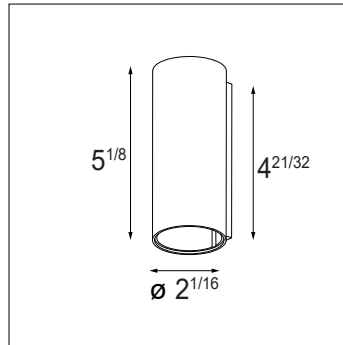
## Wall Tube Specifications

- Tube body forms cUL class II connection box
- Tube Material: Cast Aluminum
- Tube Finish: Powder Coat
- Included with tube: Plaster finish plate for 4x4 octagonal junction box
- Weight: 0.4lbs (1X version)
- Weight: 0.5lbs (2X version)

## Wall Tube Finish Options



Tube Wall



Tube Wall Up/Down

## Tube Ordering Information

- **DP** - **DE** -

**SMARU-W-1.9-1X** Smart Tube Wall 1.9, 1 lamp  
**SMARU-W-UD-1.9-2X** Smart Tube Wall Up/Down 1.9, 2 lamp

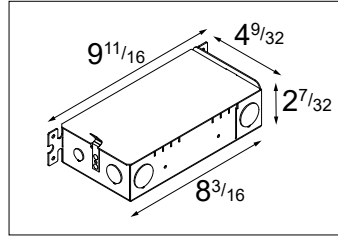
**DP** Damp Location

**DE** Driver Excluded (requires remote driver)

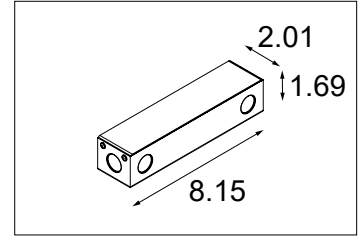
**WHS** White Structure  
**BLS** Black Structure

### Remote Driver Specifications

- Remote driver housing material: Sheet metal (galvanized steel)
- Remote driver housing can be bottom mounted, side mounted or mounted to t-bar grid



Remote Driver Box 'B'



Remote Driver Box 'A'

### Remote Driver Information

SELECTION ↓	ORDERING CODE	BOX TYPE	DIMMING TYPE	LAMP MODULE COMPATIBILITY	OUTPUT CURRENT	INPUT VOLTAGE	TYPICAL DIMMING LEVEL**	UL LOCATION					LAMP QUANTITY (SERIAL CONNECTION)				
								RECESSED TYPE IC	RECESSED TYPE NON-IC	SURFACE	CABINET	UNDER CABINET	1X	2X	3X	4X	5X
	NON-IC-RD-DP-010P-350-8	B	0-10V, ELV & Triac	Fixed CCT (2700K, 3000K, 3500K)	350mA	120-277VAC, 120VAC*	1%	-	X	X	X	X	-	X	-	-	-
	NON-IC-RD-DP-010P-350-11	B	0-10V, ELV & Triac	Fixed CCT (2700K, 3000K, 3500K)	350mA	120-277VAC, 120VAC*	1%	-	X	X	X	X	-	-	X	-	-
	NON-IC-RD-DP-010P-350-14	B	0-10V, ELV & Triac	Fixed CCT (2700K, 3000K, 3500K)	350mA	120-277VAC, 120VAC*	1%	-	X	X	X	X	-	-	-	X	-
	NON-IC-RD-DP-010P-500-6	B	0-10V, ELV & Triac	Fixed CCT (2700K, 3000K, 3500K)	500mA	120-277VAC, 120VAC*	1%	-	X	X	X	X	X	-	-	-	-
	NON-IC-RD-DP-010P-500-16	B	0-10V, ELV & Triac	Fixed CCT (2700K, 3000K, 3500K)	500mA	120-277VAC, 120VAC*	1%	-	X	X	X	X	-	-	X	-	-
	NON-IC-RD-DP-010P-500-21	B	0-10V, ELV & Triac	Fixed CCT (2700K, 3000K, 3500K)	500mA	120-277VAC, 120VAC*	1%	-	X	X	X	X	-	-	-	X	-
	IC-RD-DP-TE1-500-12	B	ELV & Triac	Fixed CCT (2700K, 3000K, 3500K)	500mA	120VAC	1%	X	-	X	X	X	-	X	-	-	-
	IC-RD-DP-TE1-500-20	B	ELV & Triac	Fixed CCT (2700K, 3000K, 3500K)	500mA	120VAC	1%	X	-	X	X	X	-	-	-	X	-
	IC-RD-DP-0101-EL-350-30	B	0-10V	Fixed CCT (2700K, 3000K, 3500K)	350mA	120-277VAC	1%	X	-	X	X	X	X	X	X	X	X
	IC-RD-DP-0101-EL-500-30	B	0-10V	Fixed CCT (2700K, 3000K, 3500K)	500mA	120-277VAC	1%	X	-	X	X	X	X	X	X	X	X
	IC-RD-DP-0101-EL-250	B	0-10V	Warm Dim 3000K-1800K	250mA	120-277VAC	1%	X	-	X	X	X	X	X	-	-	-
	IC-RD-DP-D1-EL-250	B	DALI	Warm Dim 3000K-1800K	250mA	120-277VAC	1%	X	-	X	X	X	X	X	-	-	-
	RD-DP-TE01-250	A	Trailing Edge Dimmable	Warm Dim 3000K-1800K	250mA	120-277VAC	0.1%	contact factory					X	-	-	-	-

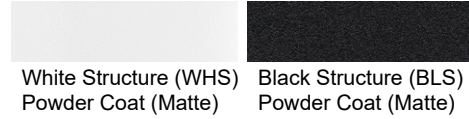
\* Dimming via ELV and Triac only compatible at 120VAC

\*\* Consult the factory for dimmer compatibility

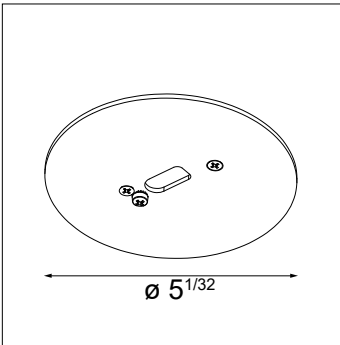
## Accessories Specifications

- Accessories are optional (plaster plate comes standard\*)
- Backplate / Cover Plate provides a cUL listed option for covering a 4x4 octagonal electrical box
- Cover Plate Material: Stainless steel
- Cover Plate Finish: Powder Coat
- Plate Thickness: 0.08"
- Weight: 0.7lbs

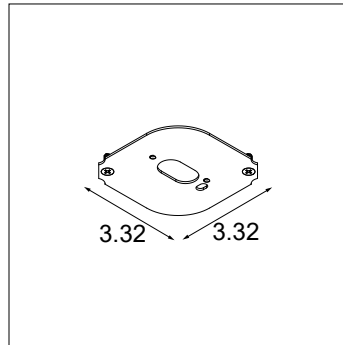
## Plate Finish Options



\* An additional plaster plate can be ordered to be delivered in advance



Smart Tube Wall 1.9 Cover Plate



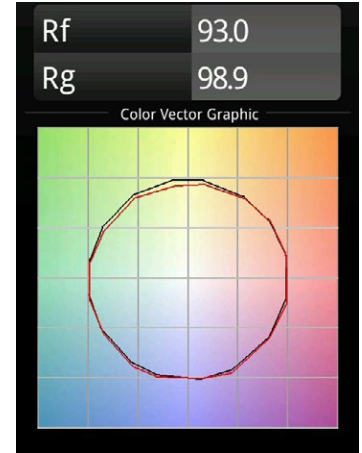
Plaster Finish Plate for 4x4 octagonal junction box for Tube Wall 1.9

## Accessory Ordering Information

<b>BP-C</b>	-		-	<b>SMART-TW-1.9</b>	-	
Backplate Cover	44	4"x4" Junction Box		SMART-TW-1.9	Smart Tube Wall 1.9"	WHS White Structure
	32	3"x2" Junction Box				BLS Black Structure
<b>PP</b>	-	<b>44</b>	-	<b>SMART-TW-1.9</b>	-	
Plaster Finish Plate for 4x4 octagonal junction box						1X 1 lamp
						2X 2 lamp

## Performance Specifications (per lamp)

	Fixed CCT	Warm Dim
Weight	0.25 lbs	
Location	Damp	
CRI*	92, R9: 60	97, R: 95
Lifetime	L80 B20 @ 50,000 hrs	
UGR	see website	
Electrical (typical)		
	Fixed CCT	Warm Dim
	350mA    500mA	250mA
Vf	8.6V    8.6V	17V
Power	3W    4.3W	4.3W



\*CRI & TM-30 Value for 3000K

For photometric files see website or contact factory

## Output Specifications

( ) indicates multipliers

Reference Delivered Lumens	CCT	Optics	Current	Finish
303 (3000K, ME, 500mA, WHS)	2700K (0.87) 3000K (1.0) 3500K (0.91)	MPG M (1.01) M (1.0)	350mA (0.74) 500mA (1.0)	WHS (1.0) GOMT (0.98) BLS (0.96)
180 (3000K -1800K, ME, 250mA, WHS)	3000K – 1800K (1.0)	MPG F (0.95) F (1.0)	250mA (1.0)	WHS (1.0) GOMT (0.97) BLS (0.92)

Example Calculation

To determine typical output for 2700K, microprismatic glass, optic medium, 350mA in gold.  
 $303 \times 0.87 \times 1.01 \times 0.74 \times 0.98 = 193 \text{ lumen}$

## Listings and Certifications

- ADA Compliant
- Damp location listed
- cUL & UL listed

## Warranty

Visit <https://www.supermodular.com/warranty>