

## Smart Lotis Tube Track 48V 1.9

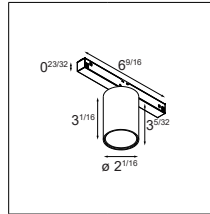
### Overview



Smart Tube Track 48V is equipped with a 48V track adapter that makes our popular design one of many luminaires joining our Pista magnetic track rail. Add volume, curves and accent lighting to Pista, and combine them with a dash of color with our Smart designs, Kup, Lotis and Cake.

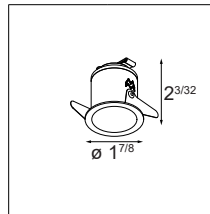
### How to Specify (example)

#### 1. Select Tube → Page 2



Example: **SMARU-T48-1.9-1X-DY-0101-DI-BLS**  
Smart Tube Track 48V, 1 lamp version, dry rated, 0-10V, black structure

#### 2. Select Lamp Unit → Page 3



Example: **SMART-L-R-1.9-1X-MG-30M-DP-DE-GOMT**  
Smart Lotis 1.9, microprismatic glass, 3000K, medium, damp rated, gold

#### Example order:

Quantity	Item
1	<b>SMARU-T48-1.9-1X-DY-0101-DI-BLS</b>
1	<b>SMART-L-R-1.9-1X-MG-30M-DP-DE-GOMT</b>

## Smart Lotis Tube Track 48V 1.9

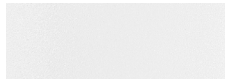
### Luminaire Specifications

- For use with Pista 48V track systems
- Tube material: cast aluminum
- Tube finish: powder coat
- Suitable for 1 lamp unit (1X versions) or 2 lamp units (2X versions)
- Upon insertion, fixtures attach magnetically to the track
- Fixtures can be moved in the track by sliding
- Force to remove from track: 13.5lbs

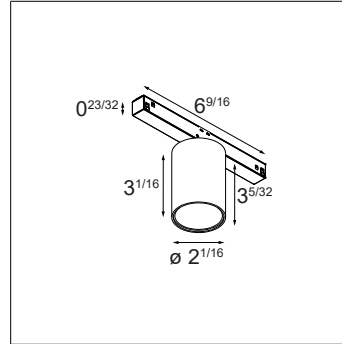
### Finish Information



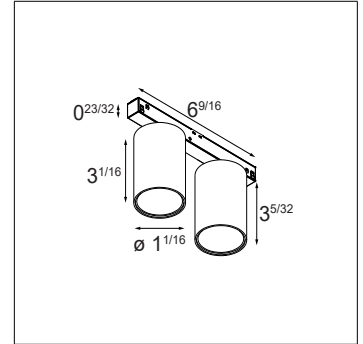
Black Structure (BLS)  
Powder Coat (Matte)



White Structure (WHS)  
Powder Coat (Matte)



Smart Tube Track 48V 1X



Smart Tube Track 48V 2X

### Pista Track Compatibility

	Surface Track Suspended Track	Suspended Up / Down Track		Recessed Flanged Track	Recessed Trimless Track
		Up Portion	Down Portion		
Smart Tube Track 48V 1X	Ⓜ		Ⓜ	Ⓜ	Ⓜ
Smart Tube Track 48V 2X	Ⓜ		Ⓜ	Ⓜ	Ⓜ

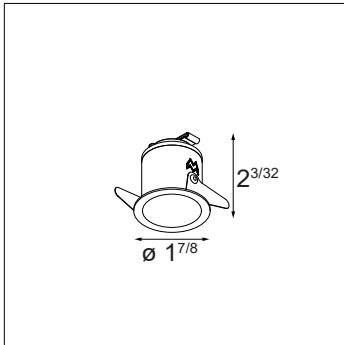
See separate track datasheets for track information and accessories

### Ordering Information

<b>SMARU-T48-1.9</b>		-		-	<b>DY</b>	-		-	<b>DI</b>	-	
<b>SMARU-T48-1.9</b>	Smart Tube Track 48V	<b>1X</b>	For 1 lamp unit	<b>DY</b>	Dry Location	<b>0101</b>	0-10V		<b>BLS</b>	Black Structure	
		<b>2X</b>	For 2 lamp units			<b>D</b>	DALI		<b>WHS</b>	White Structure	

**Lamp Specifications**

- Aperture: 1.5"
- Trim material: cast aluminum
- Trim finish: powder coat or wet paint
- Must be combined with tube



Smart Lotis 1.9

**Finish Information**



**Ordering Information**

<b>SMART-L-R-1.9-1X</b>	-		-		-	<b>M</b>	-	<b>DP</b>	-	<b>DE</b>	-	
<b>SMART-L-R-1.9-1X</b> Smart Lotis Recessed 1.9		<b>MG</b> Microprismatic Glass	<b>27</b> 2700K <b>30</b> 3000K <b>35</b> 3500K			<b>M</b> Medium (27°)		<b>DP</b> Damp Location				<b>BLS</b> Black Structure <b>WHS</b> White Structure <b>GOMT</b> Gold Matte

### Performance Specifications (per luminaire)

	1X	2X
Weight	0.6lbs	0.8lbs
Location	dry	dry
CRI*	92, R9: 60	92, R9: 60
Lifetime	L80 B20 @ 50.000 hrs	L80 B20 @ 50.000 hrs
UGR	see website	see website

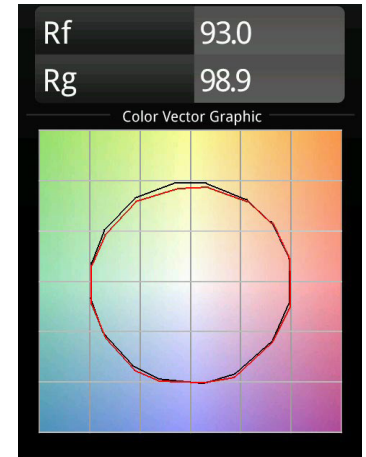
#### Electrical (typical)

Lamp Units	Dim Type	Input Voltage	Connected Load	Dim Level***
1X FIXED CCT	0-10V	48VDC	6.5W	1%
1X FIXED CCT	DALI**	48VDC	6.5W	1%
2X FIXED CCT	0-10V	48VDC	10.5W	1%
2X FIXED CCT	DALI**	48VDC	10.5W	1%

\* CRI & TM-30 Value for 3000K

\*\* Compatible with Casambi Wireless Pista Module. See track datasheets for more details

\*\*\* Consult the factory for dimmer compatibility



For photometric files see website or contact factory.

### Output Specifications (per lamp unit)

Reference Delivered Lumens	CCT	Optics	Finish
305 (ref. 3000K, MG M, 500mA, WHS)	2700K (0.87) 3000K (1.00) 3500K (0.91)	MG M (1.00)	BLS (0.99) WHS (1.00) GOMT (1.03)

Multipliers are indicated between brackets: ( )

Example calculation, to determine typical output for 2700K, Microprismatic Glass, Medium, Black Structure: 305 x (0.87) x (1.00) x (0.99) = 262 lumens

### Listings and Certifications

- Classified: cULus
- Dry locations



### Warranty

- Visit <https://www.supermodular.com/warranty>