

## Smart Kup Box Surface 4.5

### Overview

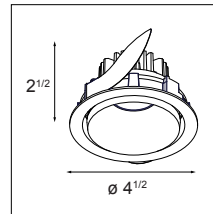


Smart Kup is one of the 3 forms of the Smart family. The cone of the Smart Kup ends in a fine trim. A trim particular Modular. The same subtle trim is used in several other Modular luminaires.

With an outer diameter of 4.5" and an aperture of 4.5 inches (fixed version) or 3.2 inches (adjustable version), the Smart Kup 4.5 is compact yet powerful. Combined with a surface box that is offered in 1X and 2X and multiple finishes, the beautiful combinations are yours to discover.

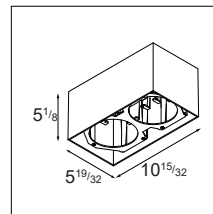
### How to Specify (Example)

#### 1. Select Lamp Module → Page 2



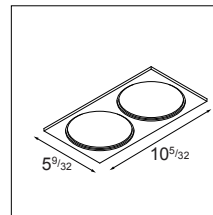
Example: **SMART-K-R-A-4.5-1X-30F-DP-DE-BLS**  
(Smart Kup Recessed Adjustable 4.5 1x, 3000K, flood, damp rated, driver excluded, black structure)

#### 2. Select Box/Driver → Page 3



Example: **SMARX-S-4.5-2X-010P-DI-500-BLS**  
(Smart Box Surface 4.5, 2 lamp, 0-10V/ELV, driver included, 500mA, black structure)

#### 3. Select Mask → Page 4



Example: **SMART-M-4.5-2X-BLS**  
(Smart Mask 4.5, 2 lamp, black structure)

#### Example Order:

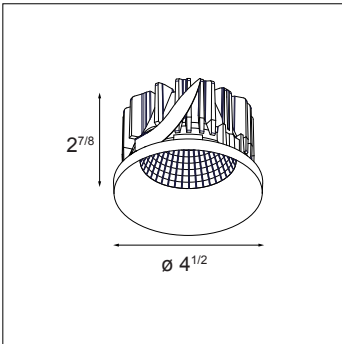
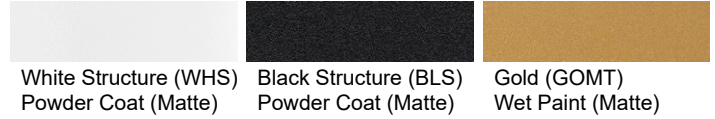
Qty	Item
2	SMART-K-R-A-4.5-1X-30F-DP-DE-BLS
1	SMARX-S-4.5-2X-010P-DI-500-BLS
1	SMART-M-4.5-2X-BLS

## Lamp Specifications & Ordering Information

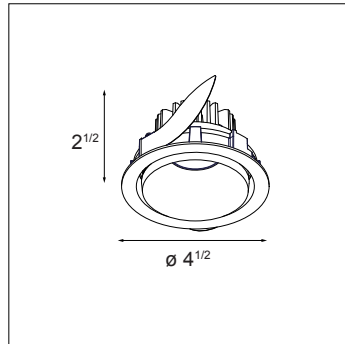
- Aperture: 4.5" (fixed version) / 3.2" (adjustable version)
- Adjustability: 0-25° (adjustable version only)
- Trim Material: Cast Aluminum
- Trim Finish: Powder Coat or Wet Paint\*
- Must be combined with box & mask

\* Wet Paint is only used for the gold finish

### Lamp Module Finish Options



Smart Kup Recessed 4.5



Smart Kup Recessed Adjustable 4.5

## Ordering Information

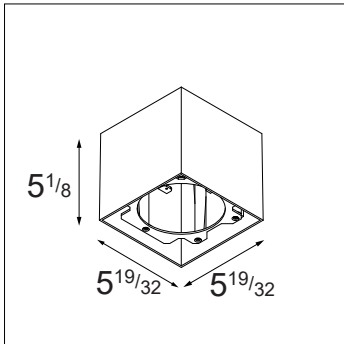
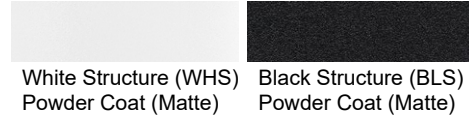
SMART-K-R-4.5-1X				DP	DE		
Smart Kup Recessed 4.5 1x	<b>[blank]</b> No Glass <sup>(1)</sup>	<b>27</b> 2700K	<b>S</b> Spot 13° <sup>(1)</sup>	<b>DP</b> Damp Location	<b>DE</b> Driver Excluded	<b>WHS</b> White Structure	
	<b>MPG</b> Microprismatic Glass <sup>(2)</sup>	<b>30</b> 3000K	<b>M</b> Medium 25° <sup>(1)(2)</sup>			<b>BLS</b> Black Structure	
	<b>FRG</b> Frosted Glass <sup>(3)</sup>	<b>35</b> 3500K	<b>F</b> Flood 39° <sup>(1)</sup> /41° <sup>(2)</sup> /37° <sup>(3)</sup>			<b>GOMT</b> Gold Matt	

SMART-K-R-A-4.5-1X				DP	DE		
Smart Kup Recessed Adjustable 4.5 1x	<b>27</b> 2700K	<b>S</b> Spot 13°	<b>DP</b> Damp Location	<b>DE</b> Driver Excluded	<b>WHS</b> White Structure		
	<b>30</b> 3000K	<b>M</b> Medium 25°			<b>BLS</b> Black Structure		
	<b>35</b> 3500K	<b>F</b> Flood 39°			<b>GOMT</b> Gold Matt		

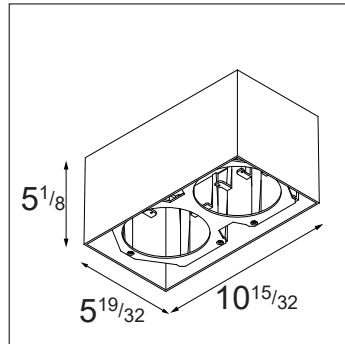
### Box & Driver Specifications

- Box Material: Cast Aluminum
- Driver: Included in box
- Box completely covers 4x4 octagonal junction boxes (no covers needed)
- Weight: 2.8lbs (1X version) / 4.5lbs (2X version)

### Box Finish Options



Smart Box Surface 4.5 1X



Smart Box Surface 4.5 2X

### Driver Specifications

DRIVER	OUTPUT CURRENT	INPUT VOLTAGE	DIMMING TYPE	TYPICAL DIMMING LEVEL**	CONNECTED LOAD (TYPICAL)			
					1X FIXED	2X FIXED	1X ADJ	2X ADJ
010P-500	500mA	120-277VAC, 120VAC*	0-10V, ELV & Triac	1%	19.1 W	38.2 W	10.5 W	21.5 W

\* Dimming via ELV and Triac only compatible at 120VAC

\*\* Consult the factory for dimmer compatibility

### Box Ordering Information

- **010P** - **DI** - **500** -

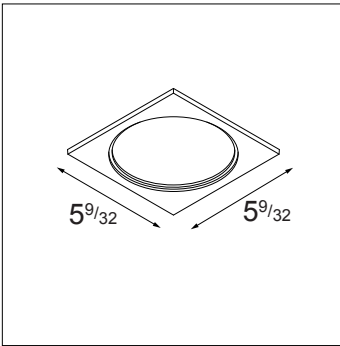
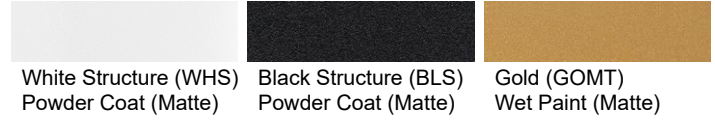
Part Number	Description	010P	DI	500	WHS	BLS
<b>SMARX-S-4.5-1X</b>	Smart Box Surface 4.5, 1 lamp	0-10V/ELV/Triac	Driver Included	500 500mA	White Structure	
<b>SMARX-S-4.5-2X</b>	Smart Box Surface 4.5, 2 lamp					Black Structure
<b>SMARX-S-A-4.5-1X</b>	Smart Box Surface Adjustable 4.5, 1 lamp					
<b>SMARX-S-A-4.5-2X</b>	Smart Box Surface Adjustable 4.5, 2 lamp					

## Mask Specifications

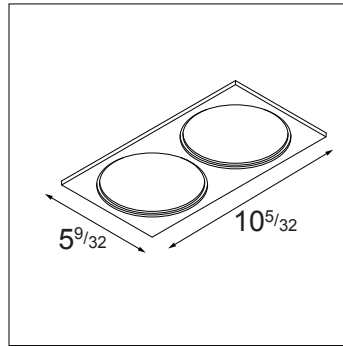
- Mask Material: Cast Aluminum
- Mask Finish: Powder Coat or Wet Paint\*
- Mask Thickness: 0.2"
- Weight: 0.2lbs (1X version) / 0.3lbs (2X version)

\* Wet Paint is only used for the gold finish

## Mask Finish Options



Single Mask



Double Mask

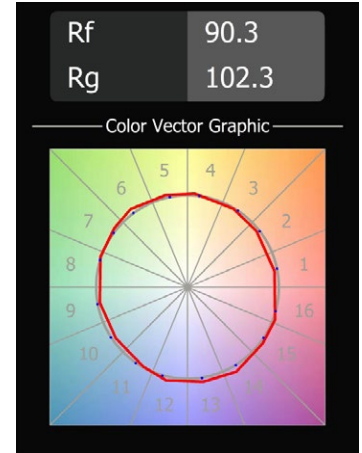
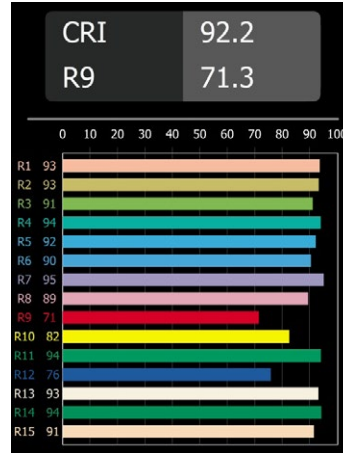
## Mask Ordering Information

**SMART-M-4.5** -

<b>1X</b>	Single Luminaire	<b>WHS</b>	White Structure
<b>2X</b>	Double Luminaire	<b>BLS</b>	Black Structure
		<b>GOMT</b>	Gold

### Performance Specifications (per lamp)

	Fixed	Adjustable
Weight	1.3lbs	1.0lbs
Adjustability	-	0-25°
CRI*	92, R9: 71	
Location	Damp	
Lifetime	L80 B20 @ 50.000 hrs	
UGR	see website	
Electrical (typical)		
	Fixed	Adjustable
	500mA	500mA
Vf	31.3V	14.4V
Power	15.7W	7.2W



\*CRI & TM-30 Value for 3000K, Fixed

For photometric files see website or contact factory

### Output Specifications

Reference: 3000K, 40deg (FL), 500mA, White  
Values below are typical  
( ) indicates multipliers

#### Fixed Lamp

Reference Delivered Lumens	CCT	Optics	Current	Finish
1727	2700K (0.95) 3000K (1.0) 3500K (1.07)	S (1.04) M (1.01) F (1.0) MPG M (1.01) MPG F (0.99) FRG F (0.92)	500mA (1.0)	WHS (1.0) GOMT (0.98) BLS (0.96)

#### Adjustable Lamp

Reference Delivered Lumens	CCT	Optics	Current	Finish
749	2700K (0.96) 3000K (1.0) 3500K (1.04)	S (1.02) M (1.03) F (1.0)	500mA (1.0)	WHS (1.0) GOMT (0.94) BLS (0.90)

#### Example Calculation

To determine typical output for 2700K, Medium optic, 500mA in Gold:  
 $749 \times 0.96 \times 1.03 \times 1.0 \times 0.94 = 696 \text{ lumen}$

### Listings and Certifications

- Damp location listed
- cUL & UL listed

### Warranty

Visit <https://www.supermodular.com/warranty>