

## Smart Kup Box Surface 4.5

### Overview

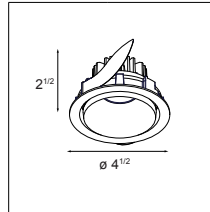


Smart Kup is one of the 3 forms of the Smart family. The cone of the Smart Kup ends in a fine trim. A trim particular Modular. The same subtle trim is used in several other Modular luminaires.

With an outer diameter of 4.5" and an aperture of 4.5 inches (fixed version) or 3.2 inches (adjustable version), the Smart Kup 4.5 is compact yet powerful. Combined with a surface box that is offered in 1X and 2X and multiple finishes, the beautiful combinations are yours to discover.

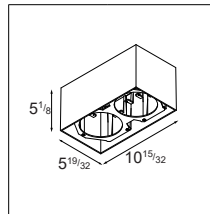
### How to Specify (example)

#### 1. Select Lamp Unit → Page 2



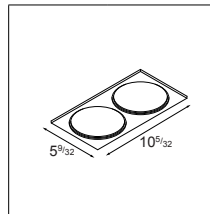
Example: **SMART-K-R-A-4.5-1X-30F-DP-DE-BLS**  
Smart Kup 4.5, adjustable version, 3000K, flood, damp rated, black structure

#### 2. Select Box → Page 3



Example: **SMARX-S-A-4.5-2X-010P-DI-500-BLS**  
Box Surface 4.5, 2 lamp version, 0-10V, ELV & Triac driver included, 500mA, black structure

#### 3. Select Mask → Page 4



Example: **SMART-M-4.5-2X-BLS**  
Mask 4.5, 2 lamp version, black structure

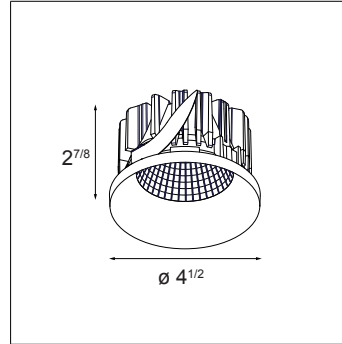
Example order:

Quantity	Item
2	<b>SMART-K-R-A-4.5-1X-30F-DP-DE-BLS</b>
1	<b>SMARX-S-A-4.5-2X-010P-DI-500-BLS</b>
1	<b>SMART-M-4.5-2X-BLS</b>

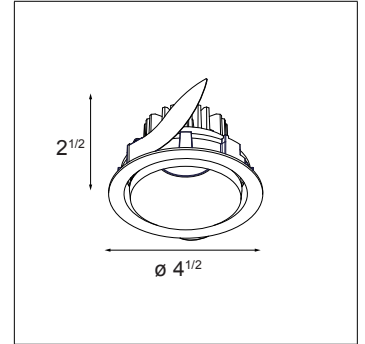
## Smart Kup Box Surface 4.5

### Lamp Specifications

- Aperture: 4.5" (fix version), 3.2" (adjustable version)
- Adjustability: 0-25° (adjustable version only)
- Trim material: cast aluminum
- Trim finish: powder coat or wet paint
- Must be combined with Box and Mask



Smart Kup 4.5 (fix version)

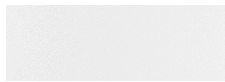


Smart Kup Adjustable 4.5 (adjustable version)

### Finish Information



Black Structure (BLS)  
Powder Coat (Matte)



White Structure (WHS)  
Powder Coat (Matte)



Gold (GOMT)  
Wet Paint (Matte)

### Ordering Information

SMART-K-R-4.5-1X					DP	DE					
SMART-K-R-4.5-1X	Smart Kup 4.5 (fix version)	MG	Microprismatic Glass	27	2700K	F	Flood (41°) <sup>(2)</sup>	DP	Damp Location	BLS	Black Structure
		FG	Frosted Glass <sup>(1)</sup>	30	3000K	M	Medium (25°)			WHS	White Structure
				35	3500K	S	Spot (16°)			GOMT	Gold Matte
SMART-K-R-A-4.5-1X					DP	DE					
SMART-K-R-A-4.5-1X	Smart Kup Adjustable 4.5 (adjustable version) <sup>(3)</sup>			27	2700K	F	Flood (39°)	DP	Damp Location	BLS	Black Structure
				30	3000K	M	Medium (25°)			WHS	White Structure
				35	3500K	S	Spot (13°)			GOMT	Gold Matte

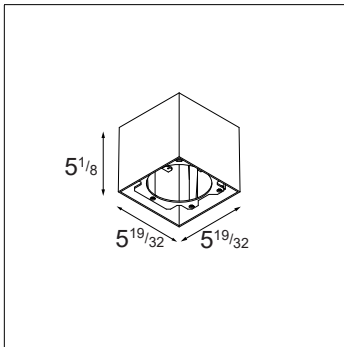
<sup>(1)</sup> Frosted Glass can only be combined with a Flood beam angle

<sup>(2)</sup> Frosted Glass version: 37°

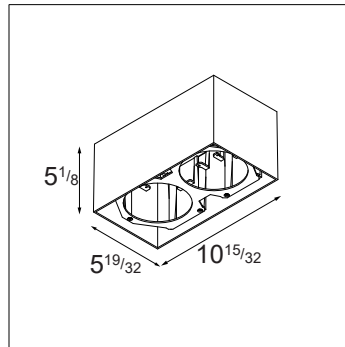
<sup>(3)</sup> Adjustable version is always provided without a Glass

### Box Specifications

- Box material: cast aluminum
- Box finish: powder coat
- Driver: included in the box
- Suitable for 1 lamp unit (1X versions) or 2 lamp units (2X versions)
- Box completely covers a 4"x4" octagonal junction box (no covers needed)
- Must be combined with Mask (specify on the next page)
- Weight: 2.8lbs (1X versions), 4.5lbs (2X versions)



Box Surface 4.5 1X

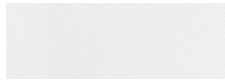


Box Surface 4.5 2X

### Finish Information



Black Structure (BLS)  
Powder Coat (Matte)



White Structure (WHS)  
Powder Coat (Matte)

### Box Specifications & Ordering Information

Ordering Code	Version	Finish	Input	Output	Dim <sup>(6)</sup>	Connected Load
<b>Fix <sup>(4)</sup></b>						
SMARX-S-4.5-1X-010P-DI-500-BLS	Box Surface 4.5 1X	Black Structure	120-277VAC <sup>(5)</sup>	500mA DC	0-10V, ELV & Triac - 1%	19.1W
SMARX-S-4.5-1X-010P-DI-500-WHS	Box Surface 4.5 1X	White Structure	120-277VAC <sup>(5)</sup>	500mA DC	0-10V, ELV & Triac - 1%	19.1W
SMARX-S-4.5-2X-010P-DI-500-BLS	Box Surface 4.5 2X	Black Structure	120-277VAC <sup>(5)</sup>	500mA DC	0-10V, ELV & Triac - 1%	38.2W
SMARX-S-4.5-2X-010P-DI-500-WHS	Box Surface 4.5 2X	White Structure	120-277VAC <sup>(5)</sup>	500mA DC	0-10V, ELV & Triac - 1%	38.2W
<b>Adjustable <sup>(4)</sup></b>						
SMARX-S-A-4.5-1X-010P-DI-500-BLS	Box Surface 4.5 1X	Black Structure	120-277VAC <sup>(5)</sup>	500mA DC	0-10V, ELV & Triac - 1%	10.5W
SMARX-S-A-4.5-1X-010P-DI-500-WHS	Box Surface 4.5 1X	White Structure	120-277VAC <sup>(5)</sup>	500mA DC	0-10V, ELV & Triac - 1%	10.5W
SMARX-S-A-4.5-2X-010P-DI-500-BLS	Box Surface 4.5 2X	Black Structure	120-277VAC <sup>(5)</sup>	500mA DC	0-10V, ELV & Triac - 1%	21.5W
SMARX-S-A-4.5-2X-010P-DI-500-WHS	Box Surface 4.5 2X	White Structure	120-277VAC <sup>(5)</sup>	500mA DC	0-10V, ELV & Triac - 1%	21.5W

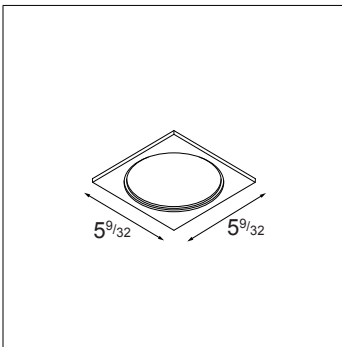
<sup>(4)</sup> Version must match Lamp version (page 2)

<sup>(5)</sup> Dimming via ELV & Triac only compatible at 120VAC input

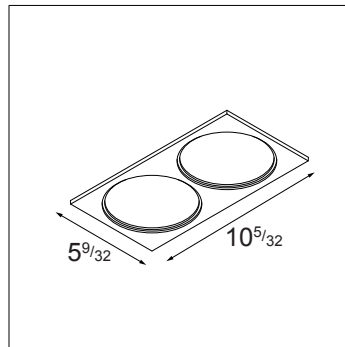
<sup>(6)</sup> Consult the factory for dimmer compatibility

## Mask Specifications

- Mask material: cast aluminum
- Mask finish: powder coat or wet paint
- Mask thickness: 0.2"
- Weight: 0.3lbs (1X version), 0.4lbs (2X version)



Mask 4.5 1X

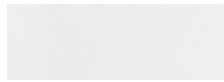


Mask 4.5 2X

## Finish Information



Black Structure (BLS)  
Powder Coat (Matte)



White Structure (WHS)  
Powder Coat (Matte)



Gold (GOMT)  
Wet Paint (Matte)

## Ordering Information

**SMART-M-4.5** - [ ] - [ ]

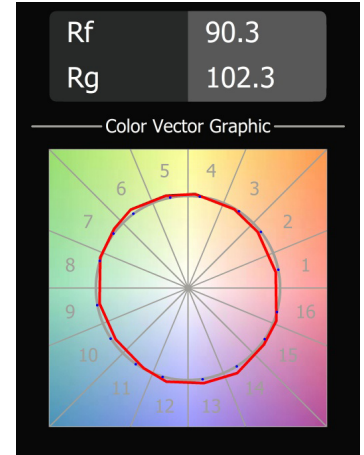
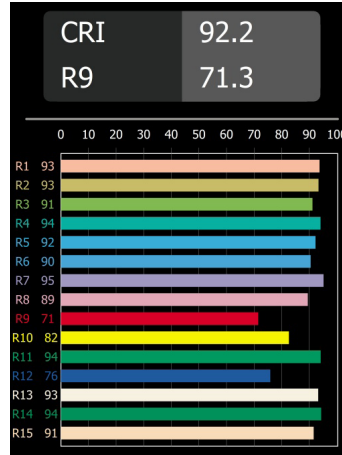
<b>SMART-M-4.5</b> Mask 4.5	<b>1X</b> For 1 lamp unit <sup>(7)</sup>	<b>BLS</b> Black Structure
	<b>2X</b> For 2 lamp units <sup>(7)</sup>	<b>WHS</b> White Structure
		<b>GOMT</b> Gold Matte

<sup>(7)</sup> Size must match Box size (page 3)

### Performance Specifications (per lamp unit)

Lamp Unit	Fix	Adjustable
Weight	1.3lbs	1.0lbs
Adjustability	-	0-25°
Location	damp	damp
CRI*	92, R9: 71	92, R9: 71
Lifetime	L80 B20 @ 50,000 hrs	L80 B20 @ 50,000 hrs
UGR	see website	see website
Electrical (typical)	Fix	Adjustable
Drive Current (mA DC)	500	500
Forward Voltage (V)	31.3	14.4
LED Power (W)	15.7	7.2

\* CRI & TM-30 Value for 3000K



For photometric files see website or contact factory.

### Output Specifications (per lamp unit)

Reference Delivered Lumens	CCT	Optics	Drive Current	Finish
<b>Fix</b>				
1717 (ref. 3000K, MG F, 500mA WHS)	2700K (0.95) 3000K (1.00) 3500K (1.07)	MG F (1.00) MG M (1.03) MG S (1.03) FG F (0.90)	500mA (1.00)	BLS (0.94) WHS (1.00) GOMT (0.96)
<b>Adjustable</b>				
749 (ref. 3000K, F, 500mA WHS)	2700K (0.96) 3000K (1.00) 3500K (1.04)	F (1.00) M (1.03) S (1.02)	500mA (1.00)	BLS (0.90) WHS (1.00) GOMT (0.94)

Multipliers are indicated between brackets: ( )

Example calculation, to determine typical output for Fix, 2700K, Microprismatic Glass, Medium, 500mA Black Structure: 1717 x (0.95) x (1.03) x (1.00) x (0.94) = 1579 lumens

### Listings and Certifications

- Listed: cULus
- Damp locations



### Warranty

- Visit <https://www.supermodular.com/en-us/warranty/>