

Smart Kup Tube Surface 1.9

Overview

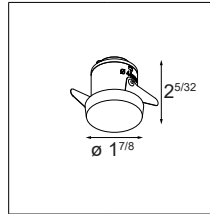


Smart Kup is one of the 3 forms of the Smart family. The cone of the Smart Kup ends in a fine trim. A trim particular Modular. The same subtle trim is used in several other Modular luminaires. The Smart family's styling is based on our most popular designs.

With an outer diameter of 1.9" and an aperture of 1.8 inches, the Smart Kup 1.9 is compact yet powerful. Forming a UL class 2 luminaire when combined with the tube, the installation options are endless.

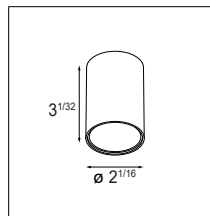
How to Specify (example)

1. Select Lamp Unit → Page 2



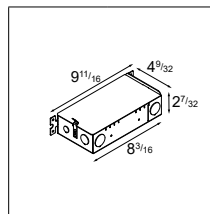
Example: **SMART-K-R-1.9-1X-MG-30M-DP-DE-WHS**
Smart Kup 1.9, microprismatic glass, 3000K, medium, damp rated, white structure

2. Select Tube → Page 3



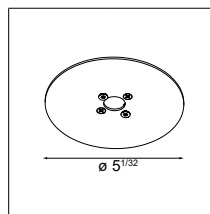
Example: **SMARU-S-1.9-1X-DP-DE-BLS**
Tube Surface 1.9, damp rated, black structure

3. Select Remote Driver → Page 4



Example: **NON-IC-RD-DP-010P-500-6**
Remote Driver, NON-IC rated, damp rated, 0-10V, ELV & Triac, 500mA, 6W

4. Select Mounting Accessory (optional) → Page 5



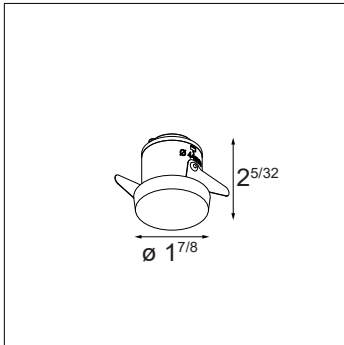
Example: **BP-C-44-SMART-ST-1.9-SEMIH-2.4-BLS**
Backplate Cover, for 4"x4" octagonal junction box, Tube Surface 1.9, black structure

Example order:

Quantity	Item
1	SMART-K-R-1.9-1X-MG-30M-DP-DE-WHS
1	SMARU-S-1.9-1X-DP-DE-BLS
1	NON-IC-RD-DP-010P-500-6
1	BP-C-44-SMART-ST-1.9-SEMIH-2.4-BLS

Lamp Specifications

- Aperture: 1.8"
- Trim material: cast aluminum
- Trim finish: powder coat or wet paint
- Must be combined with tube



Smart Kup 1.9

Finish Information

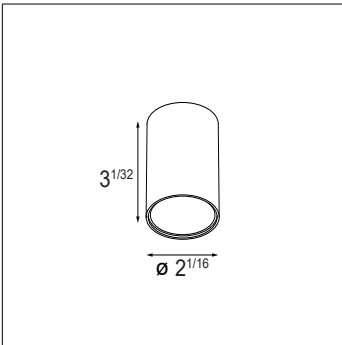


Ordering Information

SMART-K-R-1.9-1X		-		-		-	DP	-	DE	-	
SMART-K-R-1.9-1X	Smart Kup Recessed 1.9	MG	Microprismatic Glass	27	2700K	M	Medium (28°)	DP	Damp Location	BLS	Black Structure
				30	3000K					WHS	White Structure
				35	3500K		WD versions			GOMT	Gold Matte
		WD	Warm Dim 3000K - 1800K	F	Flood (50°)						

Tube Specifications

- Tube material: cast aluminum
- Tube finish: powder coat
- Driver: not included in the tube
- Must be combined with remote driver (specify on page 4)
- Suitable for 1 lamp unit
- Included: plaster finish plate for installation with a 4"x4" octagonal junction box (junction box is not required for installation)
- Can optionally be combined with Backplate to cover a junction box (specify on page 5)
- Weight: 0.6lbs

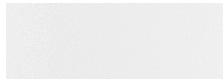


Tube Surface 1.9 1X

Finish Information



Black Structure (BLS)
Powder Coat (Matte)



White Structure (WHS)
Powder Coat (Matte)

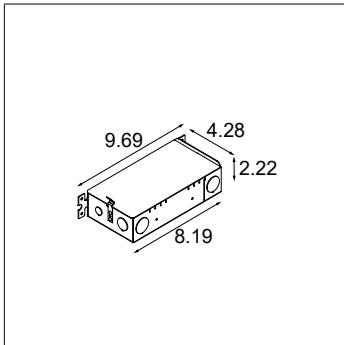
Tube Specifications & Ordering Information

Ordering Code	Version	Finish	Compatible Drive Current ⁽¹⁾	Compatible Lamp Type
SMARU-S-1.9-1X-DP-DE-BLS	Tube Surface 1.9 1X	Black Structure	250mA DC, 350mA DC & 500mA DC	Fixed CCT & Warm Dim
SMARU-S-1.9-1X-DP-DE-WHS	Tube Surface 1.9 1X	White Structure	250mA DC, 350mA DC & 500mA DC	Fixed CCT & Warm Dim

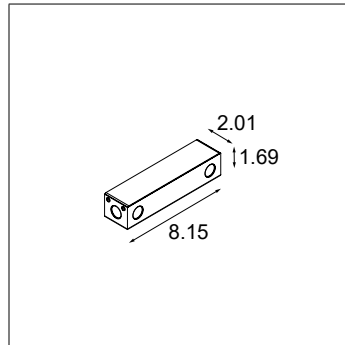
⁽¹⁾ Tube compatible drive current must match Remote Driver output

Remote Driver Specifications

- Material: sheet metal (galvanized steel)
- Class 2 constant current power supply
- Multiple lamp units can be connected in series to a single driver
- Box can be bottom, side or t-bar mounted
- 4 knockout holes for line voltage conduit or cable connection
- 4 knockout holes for low-voltage conduit or cable connection
- May be placed up to 50ft away using 16AWG wire
- Suitable for damp locations



Remote Driver "A"



Remote Driver "B"

Remote Driver Specifications & Ordering Information

Ordering Code	Version	Input	Output	Dim ⁽³⁾	Driver Location					Lamp Units ⁽⁴⁾	
					Recessed IC	Recessed Non-IC	Surface	Cabinet	Under Cabinet	Fixed CCT	Warm Dim
IC-RD-DP-0101-EL-250-30	Remote Driver "A"	120-277VAC	250mA	0-10V - 1%	☑	☐	☑	☑	☑	☐	1 - 2
RD-DP-TE01-250	Remote Driver "B"	120VAC	250mA	ELV & Triac - 0.1%	consult factory					☐	1
NON-IC-RD-DP-010P-250-10	Remote Driver "A"	120-277VAC ⁽²⁾	250mA	0-10V, ELV & Triac - 1%	☐	☑	☑	☑	☑	☐	2
IC-RD-DP-0101-EL-350-30	Remote Driver "A"	120-277VAC	350mA	0-10V - 1%	☑	☐	☑	☑	☑	☐	1 - 5
NON-IC-RD-DP-010P-350-8	Remote Driver "A"	120-277VAC ⁽²⁾	350mA	0-10V, ELV & Triac - 1%	☐	☑	☑	☑	☑	☐	2
NON-IC-RD-DP-010P-350-11	Remote Driver "A"	120-277VAC ⁽²⁾	350mA	0-10V, ELV & Triac - 1%	☐	☑	☑	☑	☑	☐	3
NON-IC-RD-DP-010P-350-14	Remote Driver "A"	120-277VAC ⁽²⁾	350mA	0-10V, ELV & Triac - 1%	☐	☑	☑	☑	☑	☐	4
IC-RD-DP-0101-EL-500-30	Remote Driver "A"	120-277VAC	500mA	0-10V - 1%	☑	☐	☑	☑	☑	☐	1 - 5
IC-RD-DP-TE1-500-12	Remote Driver "A"	120VAC	500mA	ELV & Triac - 1%	☑	☐	☑	☑	☑	☐	2
IC-RD-DP-TE1-500-20	Remote Driver "A"	120VAC	500mA	ELV & Triac - 1%	☑	☐	☑	☑	☑	☐	4
NON-IC-RD-DP-010P-500-6	Remote Driver "A"	120-277VAC ⁽²⁾	500mA	0-10V, ELV & Triac - 1%	☐	☑	☑	☑	☑	☐	1
NON-IC-RD-DP-010P-500-16	Remote Driver "A"	120-277VAC ⁽²⁾	500mA	0-10V, ELV & Triac - 1%	☐	☑	☑	☑	☑	☐	3
NON-IC-RD-DP-010P-500-21	Remote Driver "A"	120-277VAC ⁽²⁾	500mA	0-10V, ELV & Triac - 1%	☐	☑	☑	☑	☑	☐	4

⁽²⁾ Dimming via ELV & Triac only compatible at 120VAC input

⁽³⁾ Consult the factory for dimmer compatibility

⁽⁴⁾ Minimum & maximum amount of compatible lamp units, multiple lamp units must be connected in series to a single driver

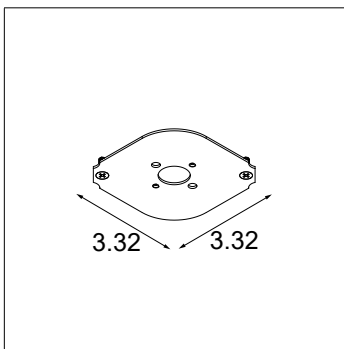
Accessories Specifications

Plaster Finish Plate

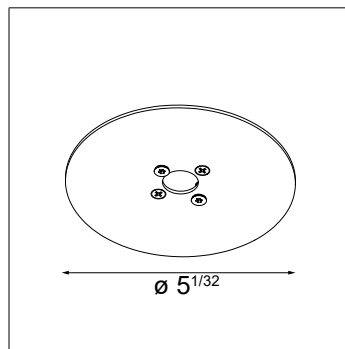
- Always included with the Tube
- An additional Plaster Plate can be ordered, to be delivered in advance

Backplate

- Optional
- Covers a 4"x4" octagonal or 3"x2" junction box
- Material: stainless steel
- Finish: powder coat
- Thickness: 0.08"
- Weight: 0.7lbs



Plaster Plate Tube Surface 1.9

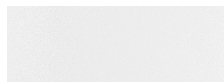


Backplate Tube Surface 1.9

Finish Information



Black Structure (BLS)
Powder Coat (Matte)



White Structure (WHS)
Powder Coat (Matte)

Ordering Information

PP	-	44	-	SMART-ST-1.9-SEMIH-2.4
-----------	---	-----------	---	-------------------------------

PP Plaster Finish Plate | **44** For 4"x4" octagonal junction box | **SMART-ST-1.9-SEMIH-2.4** Tube Surface 1.9

BP-C	-		-	SMART-ST-1.9-SEMIH-2.4	-	
-------------	---	--	---	-------------------------------	---	--

BP-C Backplate Cover | **44** For 4"x4" octagonal junction box | **SMART-ST-1.9-SEMIH-2.4** Tube Surface 1.9 | **BLS** Black Structure | **WHS** White Structure

32 For 3"x2" junction box

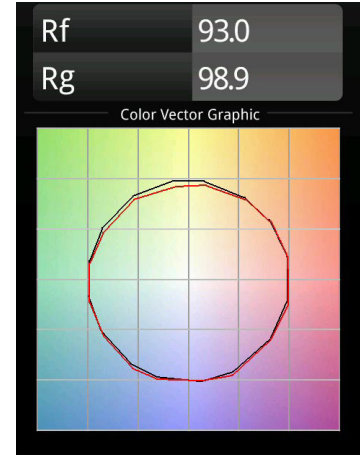
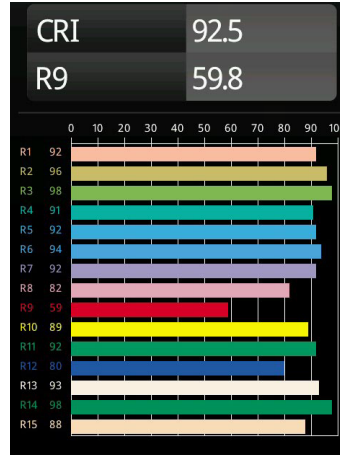
Performance Specifications (per lamp unit)

Lamp Unit	Fixed CCT	Warm Dim
Weight	0.25lbs	0.25lbs
Location	damp	damp
CRI*	92, R9: 60	97, R9: 95
Lifetime	L80 B20 @ 50.000 hrs	L80 B20 @ 50.000 hrs
UGR	see website	see website

Electrical (typical)	Fixed CCT	Warm Dim
Drive Current (mA DC)	350 500	250
Forward Voltage (V)	8.5 8.8	17.0
LED Power (W)**	3.0 4.4	4.3

* CRI & TM-30 Value for 3000K

** Power figures exclude remote driver



For photometric files see website or contact factory.

Output Specifications (per lamp unit)

Reference Delivered Lumens	CCT	Optics	Drive Current	Finish
327 (ref. 3000K, MG M, 500mA, WHS)	2700K (0.87) 3000K (1.00) 3500K (0.91)	MG M (1.00)	350mA (0.74) 500mA (1.00)	BLS (0.92) WHS (1.00) GOMT (1.01)
152 (ref. 3000K-1800K, MG F, WHS)	3000K - 1800K (1.00)	MG F (1.00)	250mA (1.00)	BLS (0.88) WHS (1.00) GOMT (0.95)

Multipliers are indicated between brackets: ()

Example calculation, to determine typical output for 2700K, Microprismatic Glass, Medium, 350mA Black Structure: 327 x (0.87) x (1.00) x (0.74) x (0.92) = 193 lumens

Listings and Certifications

- Listed: cULus
- Damp locations



Warranty

- Visit <https://www.supermodular.com/en-us/warranty/>