

## Smart Kup Tube Track 48V

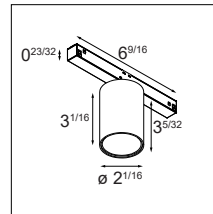
### Overview



Smart Tube Track 48V is equipped with a 48V track adapter that makes our popular design one of many luminaires joining our Pista magnetic rail track. Add volume, curves and accent lighting to Pista, and combine them with a dash of color with our Smart designs, Kup, Lotis, and Cake.

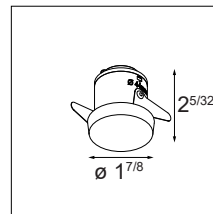
### How to Specify (Example)

#### 1. Select Tube → Page 2



Example: **SMARU-T48-1.9-1X-DY-0101-DI-BLS**  
(Smart Tube Track 48V 1.9, 1 lamp, dry rated, 0-10V control, driver included, black structure)

#### 2. Select Lamp Module → Page 3



Example: **SMART-K-R-1.9-1X-30M-DP-DE-GOMT**  
(Smart Kup Recessed 1.9, 3000K, medium, damp rated, driver excluded, gold matte)

#### Example Order:

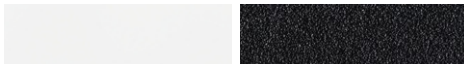
Qty.	Item
1	SMARU-T48-1.9-1X-DY-0101-DI-BLS
1	SMART-K-R-1.9-1X-30M-DP-DE-GOMT

## Smart Kup Tube Track 48V

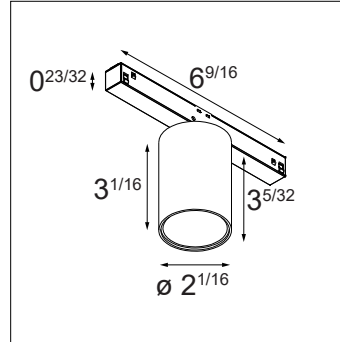
### Surface Tube Specifications

- For use with Pista 48V track systems
- Body Material: Cast Aluminum
- Finish: Powder coat
- Fixtures attach magnetically to the track and can be moved by sliding.
- Force to remove from track: 13.5lbs

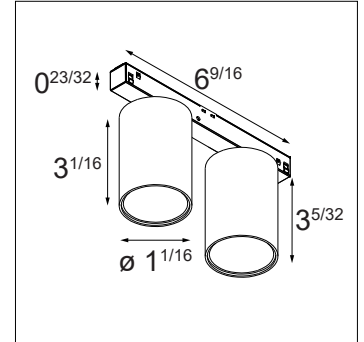
### Tube Finish Options



White Structure (WHS) Powder Coat (Matte)    Black Structure (BLS) Powder Coat (Matte)



Smart Tube Track 1X



Smart Tube Track 2X

### Pista Track Compatibility

	SURFACE / SUSPENDED TRACK	SUSPENDED UP / DOWN TRACK		RECESSED FLANGED TRACK	RECESSED TRIMLESS TRACK
		UP PORTION	DOWN PORTION		
Pista Tube Surface 1X	Ⓜ		Ⓜ	Ⓜ	Ⓜ
Pista Tube Surface 2X	Ⓜ		Ⓜ	Ⓜ	Ⓜ

See separate track datasheets for track information and accessories

### Tube Ordering Information

- **DY** -                      - **DI** -

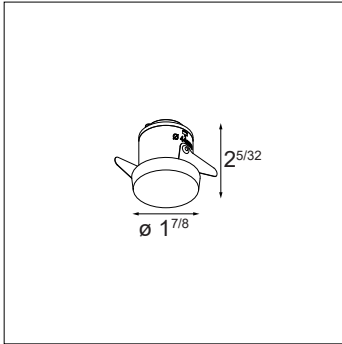
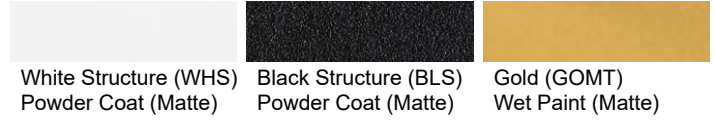
<b>SMARU-T48-1.9-1X</b>	Smart Tube Surface Track 48V 1.9, 1 lamp	<b>DY</b>	Dry Location	<b>0101</b>	0-10V	<b>DI</b>	Driver Included	<b>WHS</b>	White Structure
<b>SMARU-T48-1.9-2X</b>	Smart Tube Surface Track 48V 1.9, 2 lamp			<b>D</b>	Dali			<b>BLS</b>	Black Structure

## Lamp Specifications & Ordering Information

- Aperture: 1.8"
- Trim Material: Cast Aluminum
- Trim Finish: Powder Coat or Wet Paint\*
- Must be combined with Pista surface tube

\* Wet Paint is only used for the gold finish

### Finish Options



Smart Kup Recessed 1.9

### Ordering Information

<b>SMART-K-R-1.9-1X</b>				<b>DE</b>			
Smart Kup Recessed 1.9 1x	<b>[blank]</b> Clear Glass <sup>(1)</sup>	<b>27</b>	2700K	<b>M</b> Medium 28 <sup>(1)(2)</sup>	<b>DP</b> Damp Location	<b>DE</b> Driver Excluded	<b>WHS</b> White Structure
	<b>MPG</b> Microprismatic Glass <sup>(2)</sup>	<b>30</b>	3000K				<b>BLS</b> Black Structure
		<b>35</b>	3500K				<b>GOMT</b> Gold Matt

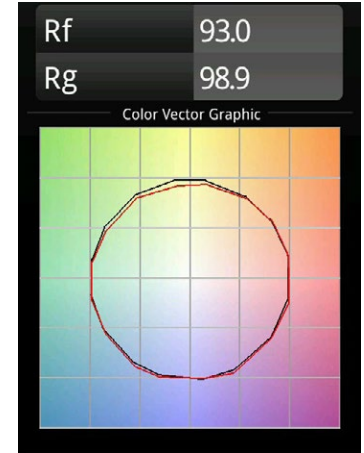
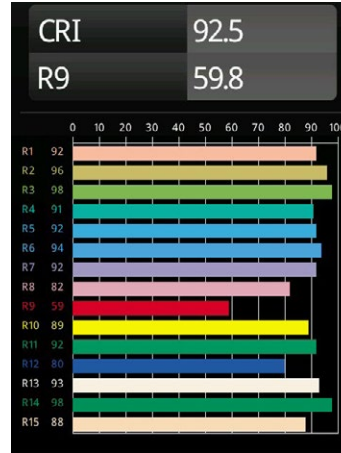
### Performance Specifications (per luminaire)

	1X	2X		
Weight	0.6lbs	0.8lbs		
Location	Dry			
CRI*	92, R9: 60			
Lifetime	L80 B20 @ 50,000 hrs			
UGR	see website			
Electrical (typical)				
	Dim Type	Input Voltage	Connected Load	Dimming Level***
1L	0-10V	48VDC	6.5W	1%
1L	DALI**	48VDC	6.5W	1%
2L	0-10V	48VDC	10.5W	1%
2L	DALI**	48VDC	10.5W	1%

\* CRI & TM-30 Value for 3000K

\*\* Compatible with Casambi Wireless Pista Module. See track datasheets for more details.

\*\*\* Consult the factory for dimmer compatibility



For photometric files see website or contact factory

### Output Specifications

Performance per head  
Reference is 3000K, medium beam, White  
( ) indicates multipliers

Reference Delivered Lumens	CCT	Optics	Finish
311 (3000K, ME, 500mA, WHS)	2700K (0.87) 3000K (1.0) 3500K (0.91)	MPG M (1.05) M (1.0)	WHS (1.0) GOMT (0.97) BLS (0.90)

Example Calculation

To determine typical output for 2700K, Microprismatic optic, 350mA in Gold.

$$311 \times 0.87 \times 1.05 \times 0.97 = 276 \text{ lumen}$$

### Listings and Certifications

- Dry location listed
- cUL & UL listed

### Warranty

Visit <https://www.supermodular.com/warranty>