

Smart Kup Tube Track 48V 1.9

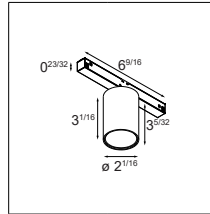
Overview



Smart Tube Track 48V is equipped with a 48V track adapter that makes our popular design one of many luminaires joining our Pista magnetic track rail. Add volume, curves and accent lighting to Pista, and combine them with a dash of color with our Smart designs, Kup, Lotis and Cake.

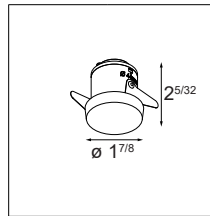
How to Specify (example)

1. Select Tube → Page 2



Example: **SMARU-T48-1.9-1X-DY-0101-BLS**
 Smart Tube Track 48V, 1 lamp version, dry rated, 0-10V, black structure

2. Select Lamp Unit → Page 3



Example: **SMART-K-R-1.9-1X-MG-30M-DP-DE-GOMT**
 Smart Kup 1.9, microprismatic glass, 3000K, medium, damp rated, gold

Example order:

Quantity	Item
1	SMARU-T48-1.9-1X-DY-0101-BLS
1	SMART-K-R-1.9-1X-MG-30M-DP-DE-GOMT

Smart Kup Tube Track 48V 1.9

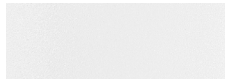
Luminaire Specifications

- For use with Pista 48V track systems
- Tube material: cast aluminum
- Tube finish: powder coat
- Suitable for 1 lamp unit (1x versions) or 2 lamp units (2x versions)
- Upon insertion, fixtures attach magnetically to the track
- Fixtures can be moved in the track by sliding
- Force to remove from track: 13.5lbs

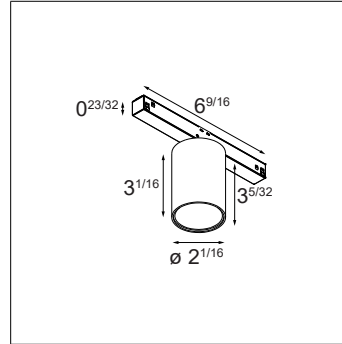
Finish Information



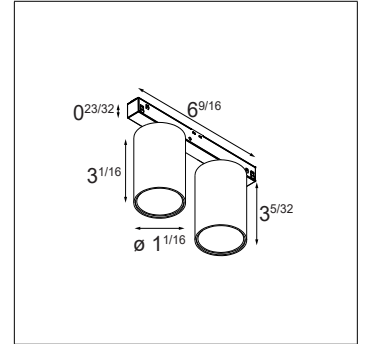
Black Structure (BLS)
Powder Coat (Matte)



White Structure (WHS)
Powder Coat (Matte)



Smart Tube Track 48V 1x



Smart Tube Track 48V 2x

Pista Track Compatibility

	Surface Track Suspended Track	Suspended Up / Down Track		Recessed Flanged Track	Recessed Trimless Track
		Up Portion	Down Portion		
Smart Tube Track 48V 1x	Ⓜ		Ⓜ	Ⓜ	Ⓜ
Smart Tube Track 48V 2x	Ⓜ		Ⓜ	Ⓜ	Ⓜ

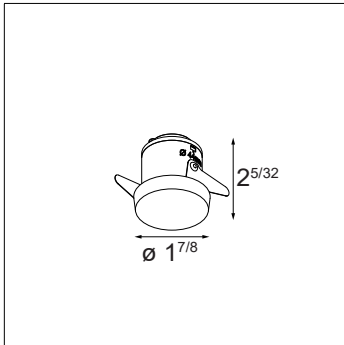
See separate track datasheets for track information and accessories

Ordering Information

SMARU-T48-1.9		-		-	DY	-		-	
SMARU-T48-1.9	Smart Tube Track 48V	1X	For 1 lamp unit	DY	Dry Location	0101	0-10V	BLS	Black Structure
		2X	For 2 lamp units			D	DALI	WHS	White Structure

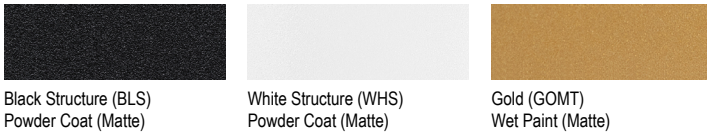
Lamp Specifications

- Aperture: 1.8"
- Trim material: cast aluminum
- Trim finish: powder coat or wet paint
- Must be combined with tube



Smart Kup 1.9

Finish Information



Ordering Information

SMART-K-R-1.9-1X		-		-		-	M	-	DP	-	DE	-	
SMART-K-R-1.9-1X	Smart Kup Recessed 1.9	MG	Microprismatic Glass	27	2700K	M	Medium (28°)	DP	Damp Location				BLS Black Structure
				30	3000K								WHS White Structure
				35	3500K								GOMT Gold Matte

Smart Kup Tube Track 48V 1.9

Performance Specifications (per luminaire)

	1x	2x
Weight	0.6lbs	0.8lbs
Location	dry	dry
CRI*	92, R9: 60	92, R9: 60
Lifetime	L80 B20 @ 50.000 hrs	L80 B20 @ 50.000 hrs
UGR	see website	see website

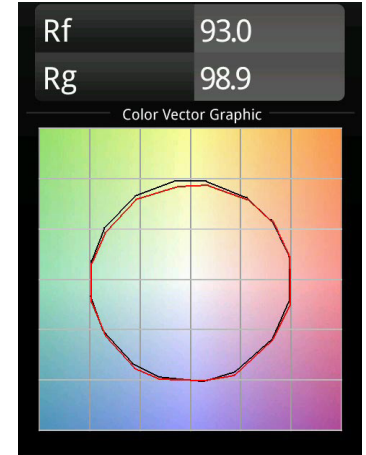
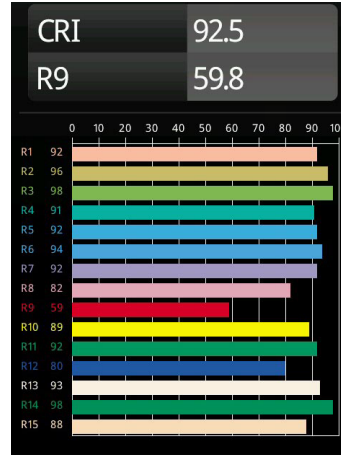
Electrical (typical)

Lamp Units	Dim Type	Input Voltage	Connected Load	Dim Level***
1x Fixed CCT	0-10V	48VDC	6.5W	1%
1x Fixed CCT	DALI**	48VDC	6.5W	1%
2x Fixed CCT	0-10V	48VDC	10.5W	1%
2x Fixed CCT	DALI**	48VDC	10.5W	1%

* CRI & TM-30 Value for 3000K

** Compatible with Casambi Wireless Pista Module. See track datasheets for more details

*** Consult the factory for dimmer compatibility



For photometric files see website or contact factory.

Output Specifications (per lamp unit)

Reference Delivered Lumens	CCT	Optics	Finish
327 (ref. 3000K, MG M, 500mA, WHS)	2700K (0.87) 3000K (1.00) 3500K (0.91)	MG M (1.00)	BLS (0.92) WHS (1.00) GOMT (1.01)

Multipliers are indicated between brackets: ()

Example calculation, to determine typical output for 2700K, Microprismatic Glass, Medium, Black Structure: $327 \times (0.87) \times (1.00) \times (0.92) = 261$ lumens

Listings and Certifications

- Classified: cULus
- Dry locations



Warranty

- Visit <https://www.supermodular.com/en-us/warranty>