

## Marbul Track 48V Suspended

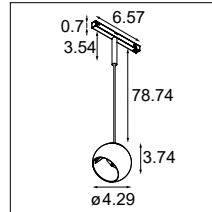
### Overview



On our Pista track system, Marbul Track 48V Suspended adds power. With its bigger volume, it enhances the presence of our slender 48V track system. The softness of its curves adds sensuality to a space and in this pendant version, adds the flexibility of creating intimate spaces.

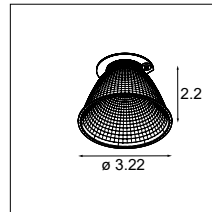
### How to Specify (Example)

#### 1. Select Lamp / Body → Page 2



Example: **MARBU-T48-SP-A-4.5-1X-27-DY-0101-DI-BLS**  
(Marbul Track 48V Suspended Adjustable 4.5 1x, 2700K, dry rated, 0-10V, driver included, black structure)

#### 2. Select Optic → Page 3



Example: **O-MR-3.2-M-GOA**  
(Magnetic reflector 3.2", medium beam, gold)

#### Example Order:

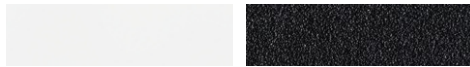
Qty.	Item
1	MARBU-T48-SP-A-4.5-1X-27M-DY-0101-DI-BLS
1	O-MR-3.2-M-GOA

## Marbul Track 48V Suspended

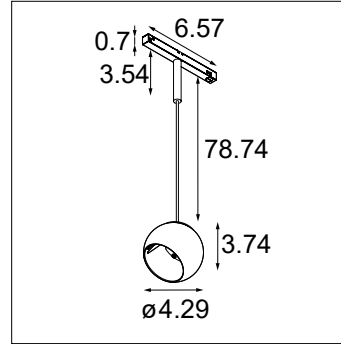
### Luminaire Specifications & Ordering Information

- For use with Pista 48V track systems
- Body Material: Cast Aluminum
- Finish: Powder Coat
- Cable diameter: 0.15"
- Cable color: Black
- Cable length can be shortened during installation
- Upon insertion, fixtures lock into track and are unlocked / removed with a flathead screwdriver
- **Must be combined with reflector / optic**

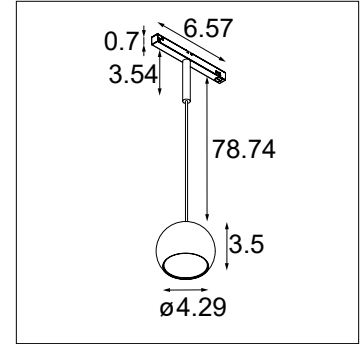
### Finish Information



White Structure (WHS) Powder Coat (Matte)    Black Structure (BLS) Powder Coat (Matte)



Marbul Track 48V Suspended Adjustable



Marbul Track 48V Suspended Fixed

### Pista Track Compatibility

	SURFACE / SUSPENDED TRACK	SUSPENDED UP / DOWN TRACK		RECESSED FLANGED TRACK	RECESSED TRIMLESS TRACK
		UP PORTION	DOWN PORTION		
Marbul	Ⓜ		Ⓜ	Ⓜ	Ⓜ

See separate track datasheets for track information and accessories

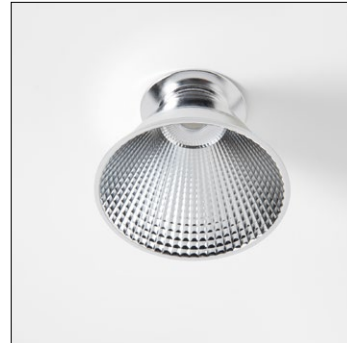
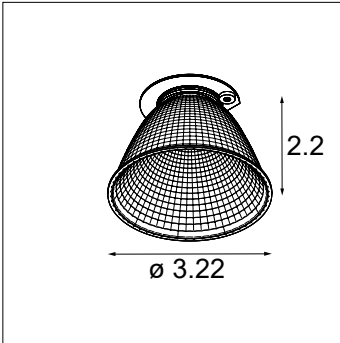
### Ordering Information

<b>MARBU-T48-SP</b>	-	<b>4.5-1X</b>	-	<b>DY</b>	-	<b>DI</b>	-
(blank) Fixed A Adjustable		27 2700K 30 3000K 35 3500K WD Warm Dim 3000K - 1800K		DY Dry Location		0101 0-10V D Dali	WHS White Structure BLS Black Structure

## Marbul Track 48V Suspended

### Optics Specifications

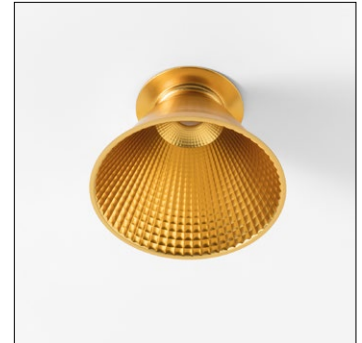
- Optic selection required for use with Marbul
- Optics attach magnetically and can be field installed
- Champagne and gold reflectors will warm the CCT. Contact the factory for more details.



Aluminum



Champagne



Gold

### Optic Information & Ordering

SELECTION ↓	ORDERING CODE	OPTIC FINISH	BEAM ANGLE	FIXED CCT	WARM DIM
	O-MR-3.2-WD-M-ALA	Aluminum	Medium (25°)	No	Yes
	O-MR-3.2-WD-F-ALA	Aluminum	Flood (40°)	No	Yes
	O-MR-3.2-WD-F-GOA	Gold	Flood (40°)	No	Yes
	O-MR-3.2-WD-F-CHA	Champagne	Flood (40°)	No	Yes
	O-MR-3.2-SS-ALA	Aluminum	Super Spot (10°)	Yes	No
	O-MR-3.2-SS-CHA	Champagne	Super Spot (10°)	Yes	No
	O-MR-3.2-SS-GOA	Gold	Super Spot (10°)	Yes	No
	O-MR-3.2-M-ALA	Aluminum	Medium (25°)	Yes	No
	O-MR-3.2-M-CHA	Champagne	Medium (25°)	Yes	No
	O-MR-3.2-M-GOA	Gold	Medium (25°)	Yes	No
	O-MR-3.2-F-ALA	Aluminum	Flood (40°)	Yes	No
	O-MR-3.2-F-CHA	Champagne	Flood (40°)	Yes	No
	O-MR-3.2-F-GOA	Gold	Flood (40°)	Yes	No

## Marbul Track 48V Suspended

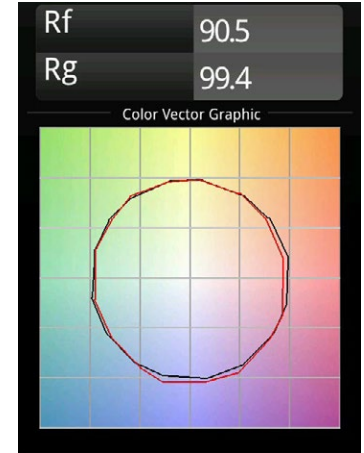
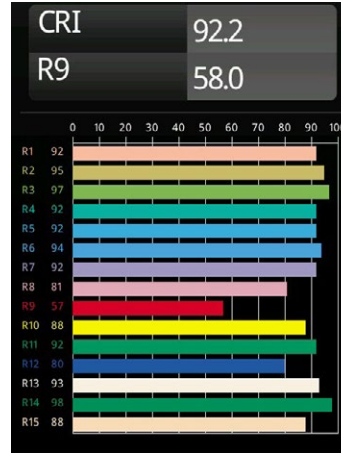
### Performance Specifications (per luminaire)

	Fixed CCT	Warm Dim		
Weight	1.85 lbs (adjustable) 1.87 lbs (fixed)			
Adjustability	360° x 45° (adjustable)			
Location	Dry			
CRI*	92, R9: 58	90, R9: 86		
Lifetime	L80 B20 @ 50,000 hrs			
UGR	see website			
Electrical (typical)				
	Dim Type	Input Voltage	Connected Load	Dimming Level***
Fixed CCT	0-10V	48VDC	8.5W	1%
Warm Dim	0-10V	48VDC	15W	1%
Fixed CCT	DALI**	48VDC	8.5W	1%
Warm Dim	DALI**	48VDC	15W	1%

\* CRI & TM-30 Value for 3000K

\*\* Compatible with Casambi Wireless Pista Module. See track datasheets for more details.

\*\*\* Consult the factory for dimmer compatibility



For photometric files see website or contact factory

### Output Specifications

Performance is typical per head  
( ) indicates multipliers

Reference Delivered Lumens	CCT	Optics
704 (Ref: 3000K, Aluminum Medium)	2700K (0.88) 3000K (1.0) 3500K (1.03)	Aluminum Spot (1.0) Aluminum Medium (1.0) Aluminum Flood (1.01) Champagne Spot (0.88) Champagne Medium (0.87) Champagne Flood (0.86) Gold Spot (0.77) Gold Medium (0.78) Gold Flood (0.74)
936 (Ref: Aluminum Medium)	Warm Dim (1.0)	Aluminum Medium (1.0) Aluminum Flood (0.99) Champagne Flood (0.72) Gold Flood (0.79)

Example Calculation

To determine typical output for 2700K, Gold Flood:

$704 \times 0.88 \times 0.74 = 458$  lumen

### Listings and Certifications

- Dry location listed
- cUL & UL listed

### Warranty

Visit <https://www.supermodular.com/warranty>