

Marbul Track 48V Suspended 4.5

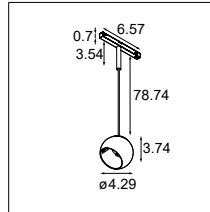
Overview



On our Pista track system, Marbul Track 48V Suspended adds power. With its bigger volume, it enhances the presence of our slender 48V track system. The softness of its curves adds sensuality to a space and in this pendant version, adds the flexibility of creating intimate spaces.

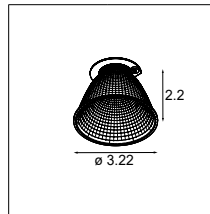
How to Specify (example)

1. Select Lamp / Body → Page 2



Example: **MARBU-T48-SP-A-4.5-1X-27-DY-0101-BLS**
Marbul Track 48V Suspended Adjustable 4.5, 2700K, dry rated, 0-10V, black structure

2. Select Optical Accessory → Page 3



Example: **O-MR-3.2-M-GOA**
Magnetic reflector Ø3.2", medium, gold

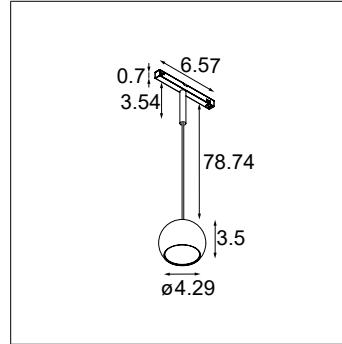
Example order:

Quantity	Item
1	MARBU-T48-SP-A-4.5-1X-27-DY-0101-BLS
1	O-MR-3.2-M-GOA

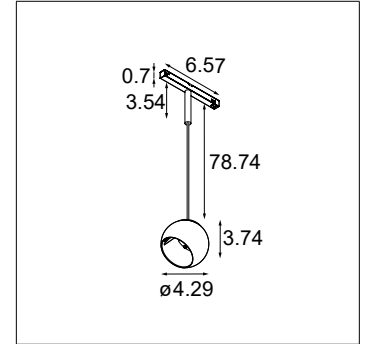
Marbul Track 48V Suspended 4.5

Luminaire Specifications

- For use with Pista 48V track systems
- Body material: aluminum
- Body finish: powder coat
- Cable diameter: 0.15"
- Cable color: black
- Cable length: 78.7" (can be field adjusted)
- Adjustability: 360° x 45° (adjustable version only)
- Must be combined with optical accessory (specify on page 3)
- Upon insertion, fixtures lock into the track
- Fixtures can be moved in the track by sliding
- Fixtures can be unlocked / removed from the track with a flathead screwdriver



Marbul Track 48V Suspended Fix 4.5 1x

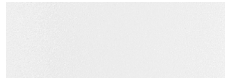


Marbul Track 48V Suspended Adjustable 4.5 1x

Finish Information



Black Structure (BLS)
Powder Coat (Matte)



White Structure (WHS)
Powder Coat (Matte)

Pista Track Compatibility

	Surface Track Suspended Track	Suspended Up / Down Track		Recessed Flanged Track	Recessed Trimless Track
		Up Portion	Down Portion		
Marbul Track 48V Suspended Fix 4.5 1x	Ⓜ		Ⓜ	Ⓜ	Ⓜ
Marbul Track 48V Suspended Adjustable 4.5 1x	Ⓜ		Ⓜ	Ⓜ	Ⓜ

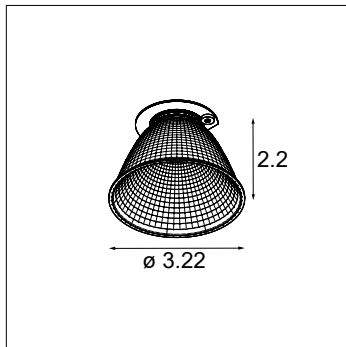
See separate track datasheets for track information and accessories

Ordering Information

				DY					
MARBU-T48-SP-4.5-1X	Marbul Track 48V Suspended Fix 4.5	27	2700K	DY	Dry Location	0101	0-10V	BLS	Black Structure
MARBU-T48-SP-A-4.5-1X	Marbul Track 48V Suspended Adjustable 4.5	30	3000K			D	DALI	WHS	White Structure
		35	3500K						
		WD	Warm Dim 3000K - 1800K						

Optical Accessories Specifications

- Optic selection is required
- Optics attach magnetically and can be installed / changed in the field
- Consult website for photometric performance
- Champagne and gold reflectors will warm the CCT (contact the factory for details)



Magnetic reflector Ø3.2"



Aluminum (ALA)



Champagne (CHA)



Gold (GOA)

Ordering Information

Ordering Code	For Luminaire	Beam	Finish
O-MR-3.2-SS-ALA	Fixed CCT	Super Spot (10°)	Aluminum
O-MR-3.2-SS-CHA	Fixed CCT	Super Spot (10°)	Champagne
O-MR-3.2-SS-GOA	Fixed CCT	Super Spot (10°)	Gold
O-MR-3.2-M-ALA	Fixed CCT	Medium (25°)	Aluminum
O-MR-3.2-M-CHA	Fixed CCT	Medium (25°)	Champagne
O-MR-3.2-M-GOA	Fixed CCT	Medium (25°)	Gold
O-MR-3.2-F-ALA	Fixed CCT	Flood (40°)	Aluminum
O-MR-3.2-F-CHA	Fixed CCT	Flood (40°)	Champagne
O-MR-3.2-F-GOA	Fixed CCT	Flood (40°)	Gold
O-MR-3.2-WD-M-ALA	Warm Dim	Medium (25°)	Aluminum
O-MR-3.2-WD-F-ALA	Warm Dim	Flood (40°)	Aluminum
O-MR-3.2-WD-F-CHA	Warm Dim	Flood (40°)	Champagne
O-MR-3.2-WD-F-GOA	Warm Dim	Flood (40°)	Gold

Marbul Track 48V Suspended 4.5

Performance Specifications (per luminaire)

	Fixed CCT	Warm Dim
Weight (fix version)	1.87lbs	1.87lbs
Weight (adjustable version)	1.85lbs	1.85lbs
Location	dry	dry
CRI*	92, R9: 58	90, R9: 86
Lifetime	L80 B20 @ 50,000 hrs	L80 B20 @ 50,000 hrs
UGR	see website	see website

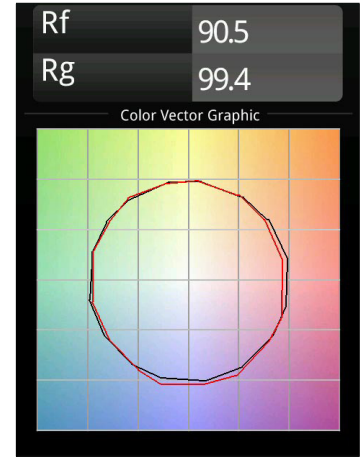
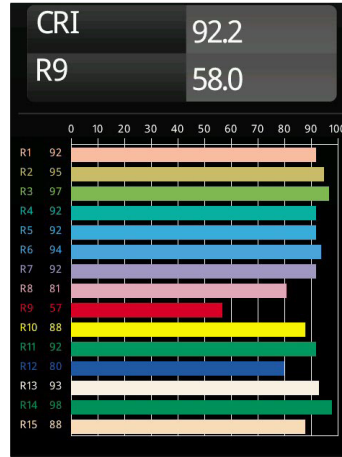
Electrical (typical)

Lamp Units	Dim Type	Input Voltage	Connected Load	Dim Level***
1x Fixed CCT	0-10V	48VDC	8.5W	1%
1x Fixed CCT	DALI**	48VDC	8.5W	1%
1x Warm Dim	0-10V	48VDC	15.0W	1%
1x Warm Dim	DALI**	48VDC	15.0W	1%

* CRI & TM-30 Value for 3000K

** Compatible with Casambi Wireless Pista Module. See track datasheets for more details

*** Consult the factory for dimmer compatibility



For photometric files see website or contact factory.

Output Specifications (per head)

Reference Delivered Lumens	CCT	Optics
704 (ref. 3000K, MEDIUM ALUMINUM)	2700K (0.88)	SPOT ALUMINUM (1.00)
	3000K (1.00)	SPOT CHAMPAGNE (0.88)
	3500K (1.03)	SPOT GOLD (0.77)
		MEDIUM ALUMINUM (1.00)
		MEDIUM CHAMPAGNE (0.87)
		MEDIUM GOLD (0.78)
		FLOOD ALUMINUM (1.01)
		FLOOD CHAMPAGNE (0.86)
		FLOOD GOLD (0.74)
936 (ref. 3000K-1800K, MEDIUM ALUMINUM)	3000K - 1800K (1.00)	MEDIUM ALUMINUM (1.00)
		FLOOD ALUMINUM (0.99)
		FLOOD CHAMPAGNE (0.72)
		FLOOD GOLD (0.79)

Multipliers are indicated between brackets: ()

Example calculation, to determine typical output for 2700K, Gold Flood: 704 x (0.88) x (0.74) = 458 lumens

Listings and Certifications

- Classified: cULus
- Dry locations



Warranty

- Visit <https://www.supermodular.com/en-us/warranty>