

Smart Kup Recessed 4.5

Overview

Smart Kup is one of the 3 forms of the Smart family. The cone of the Smart Kup ends in a fine trim. A trim particular Modular. The same subtle trim is used in several other Modular luminaires. The Smart family's styling is based on our most popular designs. Since its introduction, Smart has become an extensive portfolio with a broad range of accessories. The new recessed lights can be combined with the optional Smart mask to form the perfect solution for any interior.

With an outer flange diameter of 4.5" and an aperture of 4.5 inches, the Smart Kup 4.5 is compact yet powerful. Made from die cast aluminum alloy and offered in a variety of finishes.



QUICK LINKS

Page 2 [Lamp Specifications](#)

Page 3 [Driver Included Housings Options](#)

Page 4 [Housing Options for Remote Driver](#)

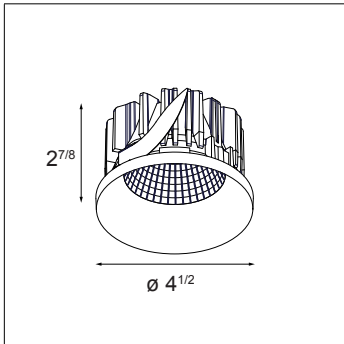
Page 5 [Remodel Options](#)

Page 6 [Accessories](#)

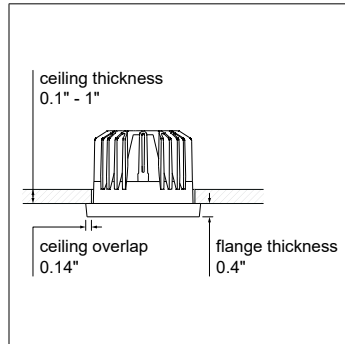
Page 7 [Performance Data](#)

Lamp Specifications

- Aperture: 4.5"
- Trim material: cast aluminum
- Trim finish: powder coat or wet paint
- Must be combined with Housing for new construction or NON-IC Remote Driver for remodel work
- Can optionally be combined with Mask



Smart Kup 4.5

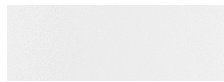


Flange Information

Finish Information



Black Structure (BLS)
Powder Coat (Matte)



White Structure (WHS)
Powder Coat (Matte)



Gold (GOMT)
Wet Paint (Matte)

Ordering Information

SMART-K-R-4.5-1X		-		-		-	DE	-			
SMART-K-R-4.5-1X	Smart Kup Recessed 4.5	MG	Microprismatic Glass	27	2700K	F	Flood (41°) ⁽²⁾	DP	Damp Location	BLS	Black Structure
		FG	Frosted Glass ⁽¹⁾	30	3000K	M	Medium (25°)	WT	Wet Location	WHS	White Structure
				35	3500K	S	Spot (16°)			GOMT	Gold Matte

⁽¹⁾ Frosted Glass can only be combined with a Flood beam angle

⁽²⁾ Frosted Glass version: 37°

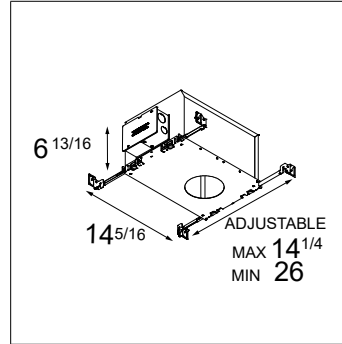
Driver Included Housing Options

IC-UAT Housing

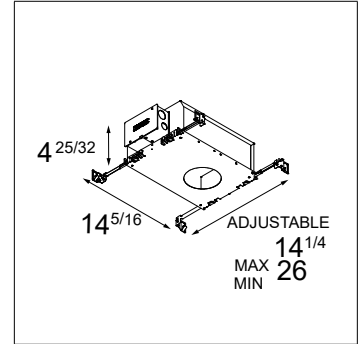
- Material: sheet metal (galvanized steel)
- Driver: included in the housing
- Suitable for 1 lamp unit
- IC (insulation contact) rated
- CCEA Chicago Plenum rated & Airtight per ASTM-E283-04

Non-IC Housing

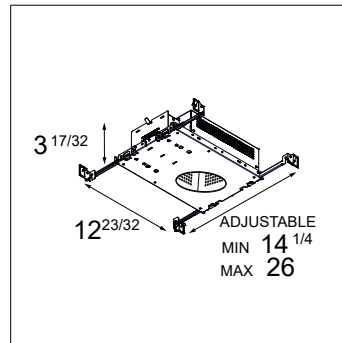
- Material: sheet metal (galvanized steel)
- Driver: included in the housing
- Suitable for 1 lamp unit (1X versions) or 2 lamp units (2X versions)
- For Non-IC (non insulation contact) applications only
- Not compatible with wet location rated lamp units (WT versions)



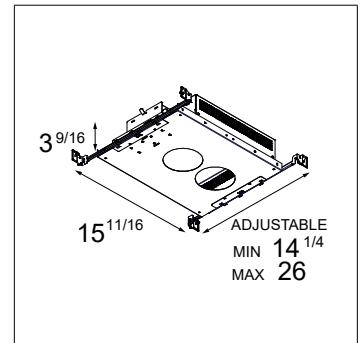
IC-UAT Housing 1X "A"



IC-UAT Housing 1X "B"



Non-IC Housing 1X



Non-IC Housing 2X

Driver Included Housing Specifications & Ordering Information

Ordering Code	Version	Input	Output	Dim ⁽⁵⁾	Lamp Type	Connected Load
IC-UAT-SMART-4.5-1X-010P-500	IC-UAT Housing 1X "A"	120-277VAC ⁽⁴⁾	500mA DC	0-10V, ELV & Triac - 1%	Fixed CCT	19.1W
IC-UAT-SMART-4.5-1X-0101-EL-500	IC-UAT Housing 1X "B"	120-277VAC	500mA DC	0-10V - 1%	Fixed CCT	19.2W
NON-IC-SMART-4.5-1X-010P-500	Non-IC Housing 1X ⁽³⁾	120-277VAC ⁽⁴⁾	500mA DC	0-10V, ELV & Triac - 1%	Fixed CCT	19.1W
NON-IC-SMART-4.5-1X-0101-EL-500	Non-IC Housing 1X ⁽³⁾	120-277VAC	500mA DC	0-10V - 1%	Fixed CCT	19.2W
NON-IC-SMART-4.5-2X-010P-500	Non-IC Housing 2X ⁽³⁾	120-277VAC ⁽⁴⁾	500mA DC	0-10V, ELV & Triac - 1%	Fixed CCT	38.2W

⁽³⁾ Not compatible with wet location rated lamp units (WT versions)

⁽⁴⁾ Dimming via ELV & Triac only compatible at 120VAC input

⁽⁵⁾ Consult the factory for dimmer compatibility

[quick links](#)

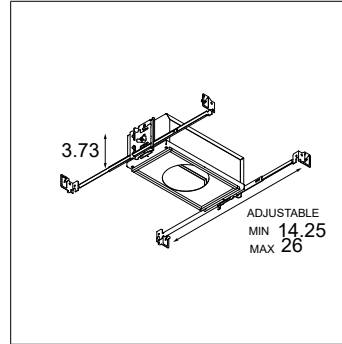
Housing Options for Remote Driver

IC-UAT Housing for Remote Driver

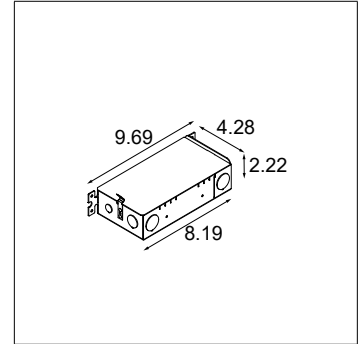
- Material: sheet metal (galvanized steel)
- Driver: not included in the housing
- Each lamp unit needs its own housing
- IC (insulation contact) rated
- CCEA Chicago Plenum rated & Airtight per ASTM-E283-04
- 2 knockout holes for low-voltage conduit or cable connection
- Bar hangers adjustable in height by 1.5" for different mounting heights
- Must be combined with Remote Driver (specify at the bottom of the page)

Remote Driver

- Material: sheet metal (galvanized steel)
- Class 2 constant current power supply
- Box can be bottom, side or t-bar mounted
- 4 knockout holes for line voltage conduit or cable connection
- 4 knockout holes for low-voltage conduit or cable connection
- May be placed up to 50ft away using 16AWG wire
- Suitable for damp locations



IC-UAT Housing For Remote Driver



Remote Driver "A"

Housing Specifications & Ordering Information

Ordering Code	Version	Compatible Drive Current ⁽⁶⁾	Compatible Lamp Type
ICB-SMART-4.5-RD-500	IC-UAT Housing for Remote Driver	350mA DC & 500mA DC	Fixed CCT

⁽⁶⁾ Housing compatible drive current must match Remote Driver output

Remote Driver Specifications & Ordering Information

Ordering Code	Version	Input	Output	Dim ⁽⁵⁾	Driver Location					Lamp Units ⁽⁷⁾
					Recessed IC	Recessed Non-IC	Surface	Cabinet	Under Cabinet	
IC-RD-DP-0101-EL-350-30	Remote Driver "A"	120-277VAC	350mA DC	0-10V - 1%	⊗	⊗	⊗	⊗	⊗	1
NON-IC-RD-DP-010P-350-14	Remote Driver "A"	120-277VAC ⁽⁴⁾	350mA DC	0-10V, ELV & Triac - 1%	⊗	⊗	⊗	⊗	⊗	1
IC-RD-DP-0101-EL-500-30	Remote Driver "A"	120-277VAC	500mA DC	0-10V - 1%	⊗	⊗	⊗	⊗	⊗	1
IC-RD-DP-TE1-500-20	Remote Driver "A"	120VAC	500mA DC	ELV & Triac - 1%	⊗	⊗	⊗	⊗	⊗	1
NON-IC-RD-DP-010P-500-21	Remote Driver "A"	120-277VAC ⁽⁴⁾	500mA DC	0-10V, ELV & Triac - 1%	⊗	⊗	⊗	⊗	⊗	1

⁽⁴⁾ Dimming via ELV & Triac only compatible at 120VAC input

⁽⁵⁾ Consult the factory for dimmer compatibility

⁽⁷⁾ Minimum & maximum amount of compatible lamp units

[quick links](#)

Remodel Options

Non-IC Remote Driver

- Material: sheet metal (galvanized steel)
- Each lamp unit needs its own driver
- Lamp unit and driver can be installed from below through the ceiling cutout
- Driver must be placed in the ceiling, min 10" & max 20" from the lamp unit
- Required height to tilt the driver through the cutout: 4" (for ceiling thickness 1/2")
- For Non-IC (non insulation contact) applications only
- 3 knockout holes for line voltage conduit or cable connection
- Includes female connector for connection to lamp unit
- Must be combined with Male Connector (ordered separately)

Male Connector

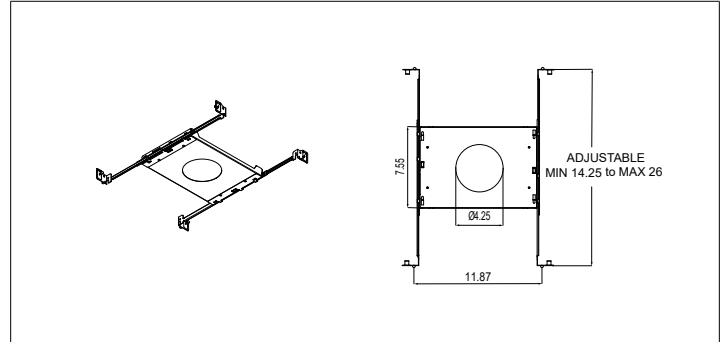
- Required, to connect the lamp unit to the driver
- To be connected to the lamp unit by a contractor

Bar Hanger for Non-IC Remote Driver

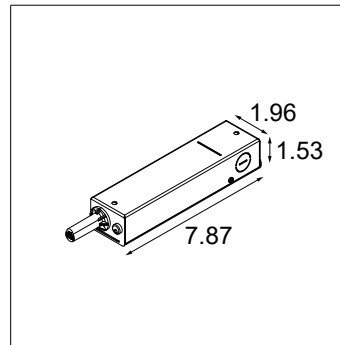
- Optional, attaches to the Non-IC Remote Driver
- Used to span joists or attach to t-bar
- Access above ceiling is required, when the bar hanger is used

New Construction Frame

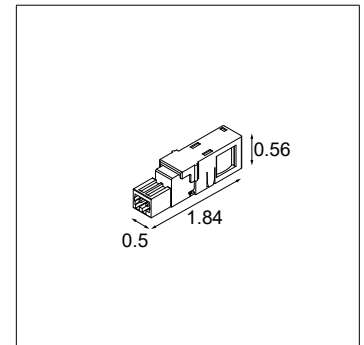
- Optional, with cutout hole for the lamp unit
- Used to span joists or attach to t-bar



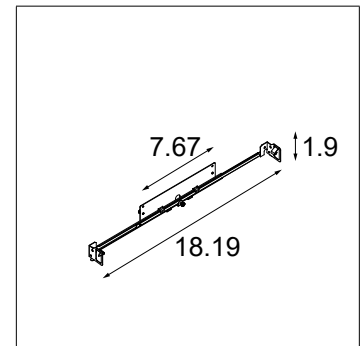
New Construction Frame



Non-IC Remote Driver



Male Connector



Bar Hanger for Non-IC Remote Driver

Remodel Accessories Ordering Information

Ordering Code	Version
MC-RD	Male Connector
BH-RD	Bar Hanger for Non-IC Remote Driver
NCF-4.3	New Construction Frame

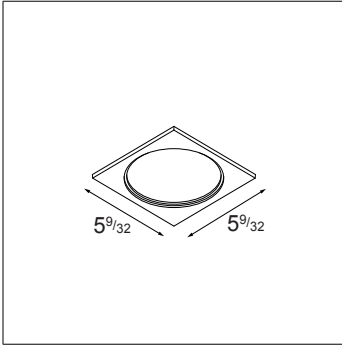
Remodel Non-IC Remote Driver Specifications & Ordering Information

Ordering Code	Version	Input	Output	Dim ⁽⁵⁾	Lamp Type	Connected Load
NON-IC-RD-120-DP-010P-350-14	Non-IC Remote Driver	120VAC	350mA DC	0-10V, ELV & Triac - 1%	Fixed CCT	14.8W
NON-IC-RD-120-DP-010P-500-21	Non-IC Remote Driver	120VAC	500mA DC	0-10V, ELV & Triac - 1%	Fixed CCT	20.7W
NON-IC-RD-120-DP-010P-700-29	Non-IC Remote Driver	120VAC	700mA DC	0-10V, ELV & Triac - 1%	Fixed CCT	28.8W
NON-IC-RD-277-DP-0101-350-14	Non-IC Remote Driver	277VAC	350mA DC	0-10V - 1%	Fixed CCT	14.8W
NON-IC-RD-277-DP-0101-500-21	Non-IC Remote Driver	277VAC	500mA DC	0-10V - 1%	Fixed CCT	20.7W
NON-IC-RD-277-DP-0101-700-29	Non-IC Remote Driver	277VAC	700mA DC	0-10V - 1%	Fixed CCT	28.8W

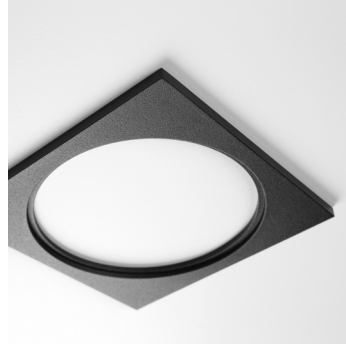
⁽⁵⁾ Consult the factory for dimmer compatibility

Accessories Specifications

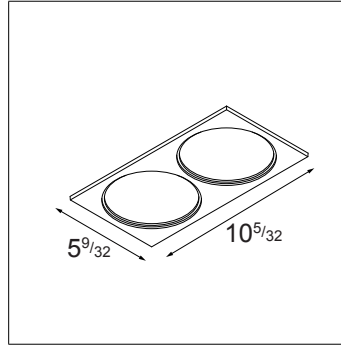
- Accessories are optional
- Available for 1 lamp unit (1X versions) or 2 lamp units (2X versions)
- Mask material: cast aluminum
- Mask finish: powder coat or wet paint
- Mask thickness: 0.2"
- Weight: 0.3lbs (1X version), 0.4lbs (2X version)



Mask 4.5 1X



Mask 4.5 1X



Mask 4.5 2X

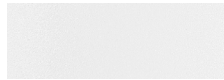


Mask 4.5 2X

Finish Information



Black Structure (BLS)
Powder Coat (Matte)



White Structure (WHS)
Powder Coat (Matte)



Gold (GOMT)
Wet Paint (Matte)

Ordering Information

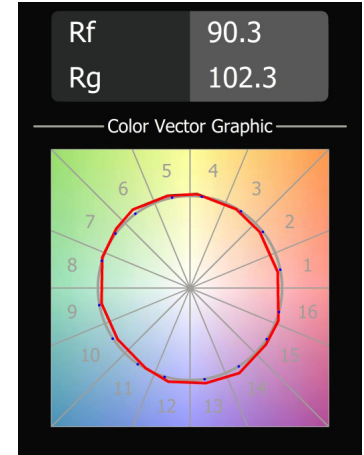
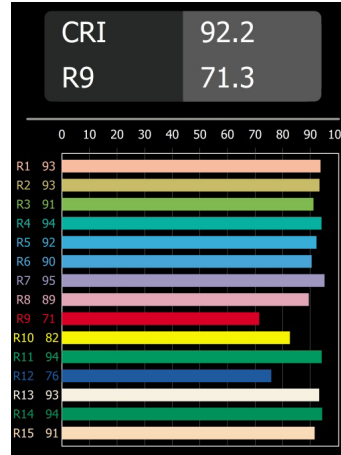
SMART-M-4.5 - -

SMART-M-4.5 Mask 4.5	1X	For 1 lamp unit	BLS	Black Structure
	2X	For 2 lamp units	WHS	White Structure
			GOMT	Gold Matte

Performance Specifications (per lamp unit)

Lamp Unit	Fixed CCT		
Weight	1.3lbs		
Cut-Out Size	Ø4.25"		
Location	damp or wet		
CRI*	92, R9: 71		
Lifetime	L80 B20 @ 50,000 hrs		
UGR	see website		
Electrical (typical)	Fixed CCT		
Drive Current (mA DC)	350	500	700
Forward Voltage (V)	30.6	31.3	32.1
LED Power (W)	10.7	15.7	22.5

* CRI & TM-30 Value for 3000K



For photometric files see website or contact factory.

Output Specifications (per lamp unit)

Reference Delivered Lumens	CCT	Optics	Drive Current	Finish
1717 (ref. 3000K, MG F, 500mA WHS)	2700K (0.95) 3000K (1.00) 3500K (1.07)	MG F (1.00) MG M (1.03) MG S (1.03) FG F (0.90)	350mA (0.73) 500mA (1.00) 700mA (1.31)	BLS (0.94) WHS (1.00) GOMT (0.96)

Multipliers are indicated between brackets: ()

Example calculation, to determine typical output for 2700K, Microprismatic Glass, Medium, 700mA Black Structure: 1717 x (0.95) x (1.03) x (1.31) x (0.94) = 2068 lumens

Listings and Certifications

- Listed: cULus
- Damp or wet locations
- CCEA Chicago Plenum (when used with IC-UAT Housing)
- Airtight per ASTM-E283-04 (when used with IC-UAT Housing)



Warranty

- Visit <https://www.supermodular.com/en-us/warranty/>

quick links