

## *Pista Track 48V Surface*

### **Overview**

A very thin magnetic track rail, Pista Track 48V Surface brings together miniaturization and personalisation. A slender, surface-mounted track on the ceiling or wall. Play with different modules on single or multiple track rails in different lengths and colors, spots, pendant lights and more!



## Track Specifications & Ordering Information

### General

- Fixtures attach magnetically to the track
- Profile Finish: powder coat
- Can be field cut
- Weight: 0.5lbs per foot
- Dry Locations only

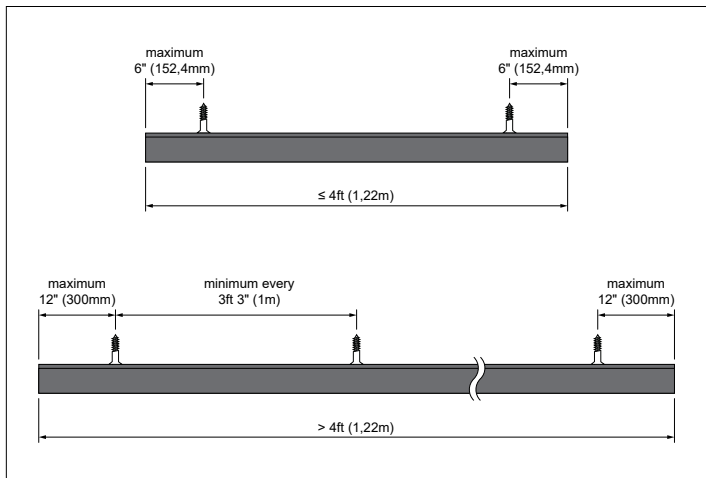
### Electrical

- cUL Class II only
- 48V DC (see power supply section)
- Circuits: 1 circuit + Data bus
- Maximum 100W per track circuit
- Dimming: 0-10V or DALI (specified separately in the fixtures)

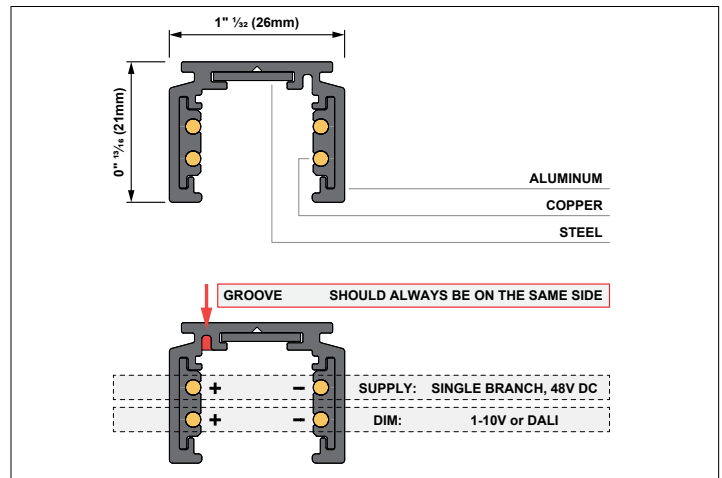
### Finish Information



### Minimum Mechanical Fixation



### Materials Dimensions & Electrical



### Ordering Information

**PISTA-T48V-PROF** - **S** - **DY**

<b>S</b> Surface	<b>39.4</b> 39.4" long (1m)	<b>DY</b> Dry Location	<b>WHS</b> White Structure
	<b>78.7</b> 78.7" long (2m)		<b>BLS</b> Black Structure
	<b>118.1</b> 118.1" long (3m)		

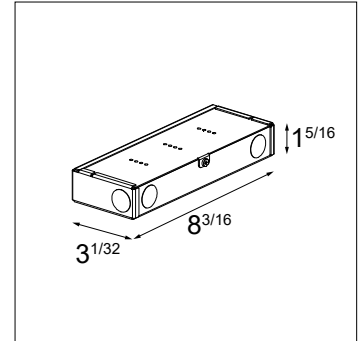
### Power Supply Specifications & Ordering Information

#### REMOTE POWER SUPPLIES

- For cabinet and surface mount use only
- 4 mounting holes for surface mounting
- 4 knockout holes for low voltage wiring and 4 knockout holes for high voltage wiring
- May be placed up to 50ft away from track using 16AWG wire
- Maximum load: 90% of rated power
- Dry rated
- Weight: 1.4lbs

#### Ordering Information

SELECTION	ORDERING CODE	POWER	INPUT VOLTAGE	OUTPUT VOLTAGE
	PISTA-T48V-LEDPWRSUPPLY-60W-DY	60W	120 & 277VAC	48VDC
	PISTA-T48V-LEDPWRSUPPLY-96W-DY	96W	120 & 277VAC	48VDC

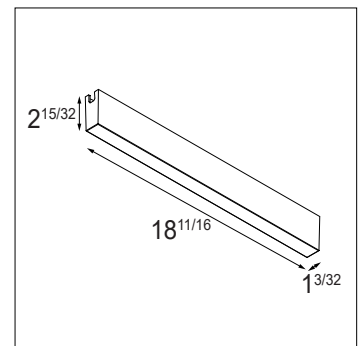


#### SURFACE MOUNTED POWER SUPPLIES

- Included: Plaster finish plate for 4x4 octagonal junction box (cover plates optional)
- Box Material: Cast Aluminum
- Maximum load: 90% of rated power
- Dry rated
- Weight: 2.2lbs

#### Ordering Information

<b>PISTA-T48V-SMLEDPWRSUPPLY</b>	-	<b>S</b>	-	<b>DY</b>	-
<b>40W</b>		<b>S</b> Surface		<b>DY</b> Dry Location	
<b>60W</b>					
<b>96W</b>					



#### Finish Information

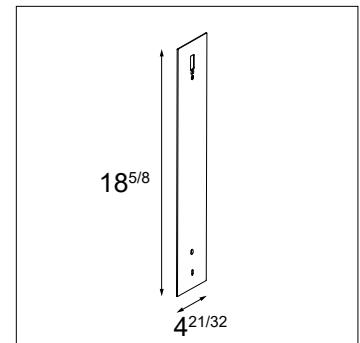


#### BACKPLATE FOR SURFACE MOUNTED POWER SUPPLIES

- Backplate / Cover Plate provides a cUL listed option for covering a 4x4 octagonal or 3x2 electrical box
- Cover Plate Material: Stainless steel
- Cover Plate Finish: Powder Coat
- Plate Thickness: 0.08"
- Weight: 2.0lbs

#### Ordering Information

<b>PISTA-T48V-BP-C</b>	-	<b>SMGB</b>	-
<b>32</b>	For 3"x2" junction box	<b>WHS</b> White Structure	
<b>44</b>	For 4"x4" junction box	<b>BLS</b> Black Structure	



#### Finish Information



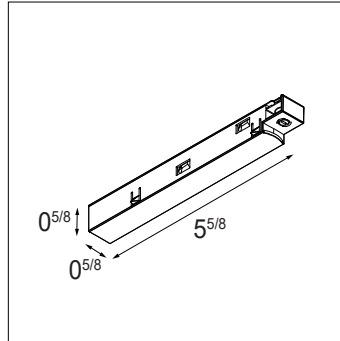
### Connectors, Installation Components & Accessories

#### POWER FEEDS

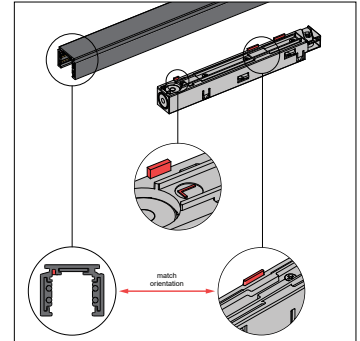
- “Groove” side is the difference between left and right
- Left vs. Right does not matter if in the middle of the track
- For use with 16-18AWG wire
- Weight: 0.1lbs

#### Ordering Information

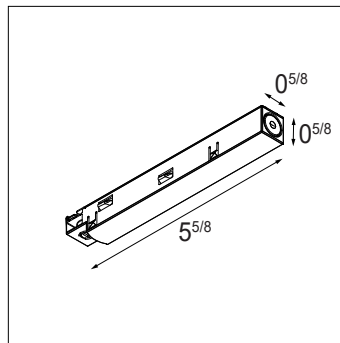
SELECTION	ORDERING CODE	DIRECTION	COLOR
	PISTA-T48V-PFLEFT-DY-WHS	Left	White
	PISTA-T48V-PFLEFT-DY-BLS	Left	Black
	PISTA-T48V-PFRIGHT-DY-WHS	Right	White
	PISTA-T48V-PFRIGHT-DY-BLS	Right	Black



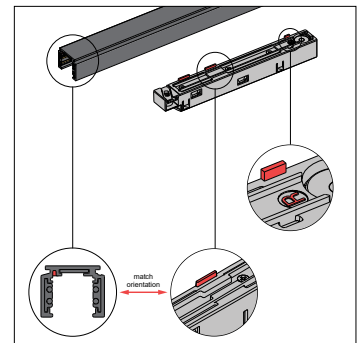
Power feed left



Power feed left - Groove orientation



Power feed right



Power feed right - Groove orientation

## Connectors, Installation Components & Accessories - cntd.

### SURFACE TRACK CONNECTORS & ACCESSORIES

#### 180 Deg Connector

- Weight: 0.1lbs

#### Flexible Connector

- Cable diameter: 0.27"
- Cable color: black
- Cable length can be field adjusted
- Weight: 0.5lbs

#### 90 Deg Outside Connector

- Groove on the outside of the connection
- Weight: 0.2lbs

#### 90 Deg Inside Connector

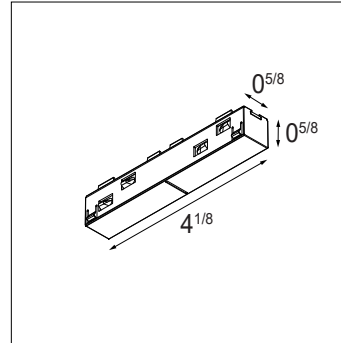
- Groove on the inside of the connection
- Weight: 0.2lbs

#### Twin Bracket

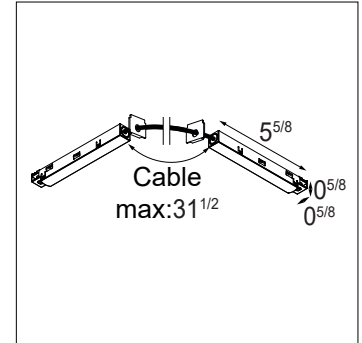
- Weight: 0.04lbs

#### Surface Endplates

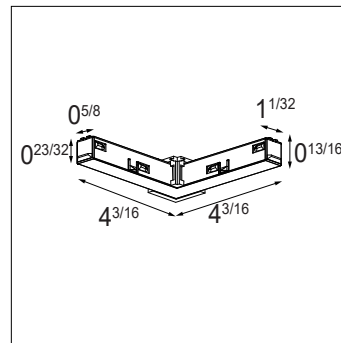
- Set of 2
- Non-conductive
- Weight: 0.03lbs



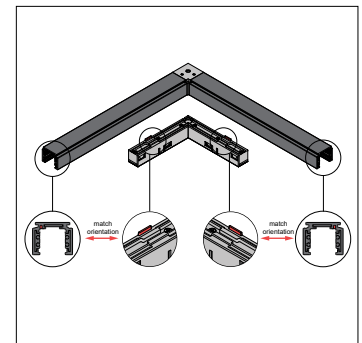
180 Deg Connector



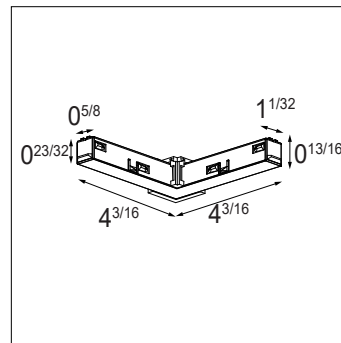
Flexible Connector



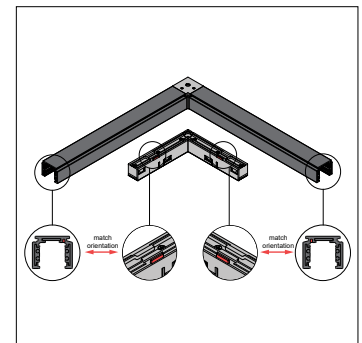
90 Deg Outside Connector



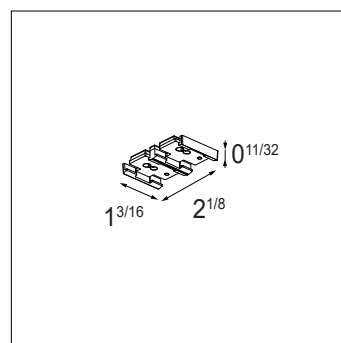
90 Deg Outside Connector



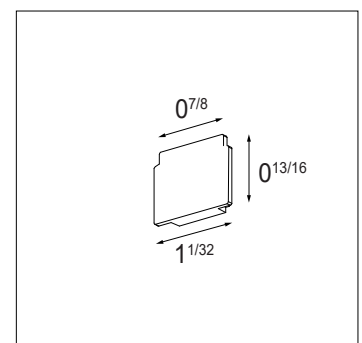
90 Deg Inside Connector



90 Deg Inside Connector



Twin Bracket



Surface Endplates

### Ordering Information

SELECTION	ORDERING CODE	ITEM	COLOR
	PISTA-T48V-CONN180-S-DY-WHS	180 Deg Connector	White
	PISTA-T48V-CONN180-S-DY-BLS	180 Deg Connector	Black
	PISTA-T48V-CONNFLEX-DY-WHS	Flexible Connector	White
	PISTA-T48V-CONNFLEX-DY-BLS	Flexible Connector	Black
	PISTA-T48V-CONN90OUT-S-DY-WHS	90 Deg Outside Connector	White
	PISTA-T48V-CONN90OUT-S-DY-BLS	90 Deg Outside Connector	Black
	PISTA-T48V-CONN90IN-S-DY-WHS	90 Deg Inside Connector	White
	PISTA-T48V-CONN90IN-S-DY-BLS	90 Deg Inside Connector	Black
	PISTA-T48V-BRACKET-TWIN-DY-WHS	Twin Bracket	White
	PISTA-T48V-BRACKET-TWIN-DY-BLS	Twin Bracket	Black
	PISTA-T48V-ENDPLATE-S-DY-WHS	Surface Endplate	White
	PISTA-T48V-ENDPLATE-S-DY-BLS	Surface Endplate	Black

### Connectors, Installation Components & Accessories - contd.

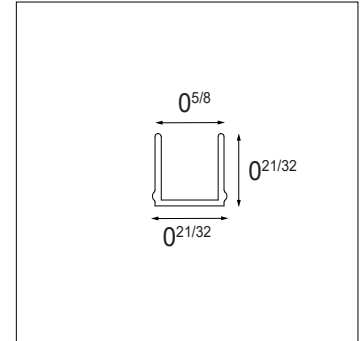
#### FINISHING ACCESSORIES

##### Finishing Cover (optional)

- Can be field cut
- Non-conductive
- Weight: 0.2lbs (39.4" version)
- Weight: 0.4lbs (78.7" version)

##### Ordering Information

<b>PISTA-T48V-COVER</b>	-	<b>DY</b>	-
<b>39.4</b>	39.4" long (1m)	<b>DY</b>	Dry Location
<b>78.7</b>	78.7" long (2m)		
		<b>WHS</b>	White Structure
		<b>BLS</b>	Black Structure



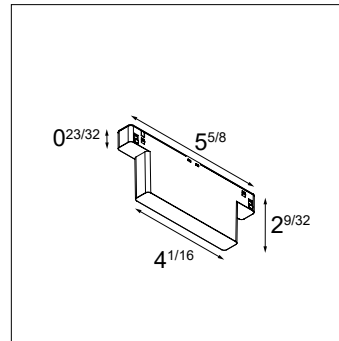
Finishing Cover

### Control Accessories

#### CASAMBI WIRELESS CONTROL

##### Casambi Track 48V Dim Module

- Utilizes Bluetooth Low Energy Wireless Mesh (no control wires required)
- For individual / discrete fixture control (requires Pista fixtures to be DALI dimmable)
- Connect up to 64 DALI track 48V fixtures to one dim module
- Not to be connected to an existing DALI network; only use as independent system
- Contact customer service for the latest configuration & setup documentation
- Weight: 0.1lbs (39.4" version)



Casambi Track 48V Dim Module



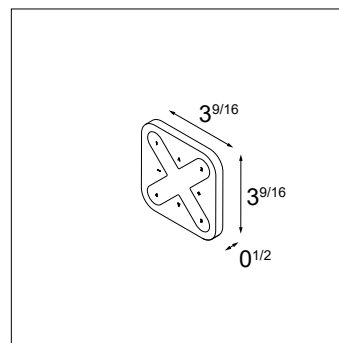
Casambi Track 48V Dim Module

##### Casambi Wireless Switch

- Range: up to 164 ft in open air
- Weight: 0.2lbs

##### Ordering Information

SELECTION	ORDERING CODE	ITEM	COLOR
	PISTA-T48V-CASAMBI-DIM-WHS	48 Pista Control Module	White
	PISTA-T48V-CASAMBI-DIM-BLS	48 Pista Control Module	Black
	PISTA-T48V-CASAMBI-SWITCH-WHS	Wireless Switch	White



Casambi Wireless Switch



Casambi Wireless Switch

### Listings and Certifications

- Dry location listed
- cUL & UL listed

### Warranty

Visit <https://www.supermodular.com/warranty>