

Pista Track 48V Surface

Overview



A very thin magnetic track rail, Pista Track 48V Surface brings together miniaturization and personalisation. A slender, surface-mounted track on the ceiling or wall. Play with different modules on single or multiple track rails in different lengths and colors, spots, pendant lights and more!

General Information

General

- Profile finish: powder coat or anodisation
- Dry locations only
- Spot and linear fixtures available, see separate datasheets for detailed information
- Upon insertion, fixtures attach magnetically to the Track Profile or lock into the Track Profile
- Fixtures can be moved in the Track Profile by sliding

Electrical

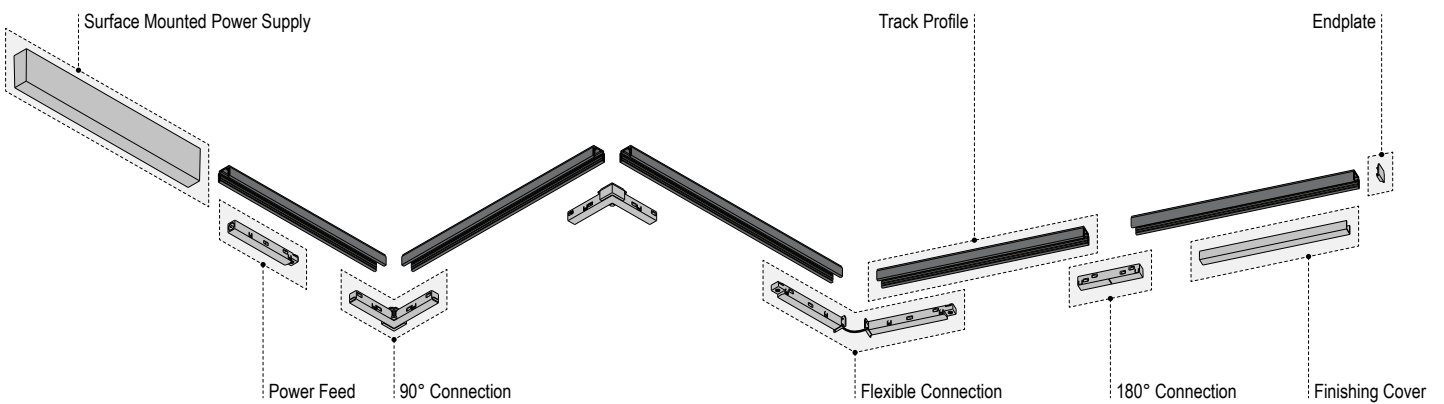
- UL Class 2 only
- 48V DC (see Power Supply sections)
- Circuits: 1 circuit + data bus
- Maximum 100W per track circuit
- Dimming: 0-10V or DALI (specified separately in the fixture)

Finish Information



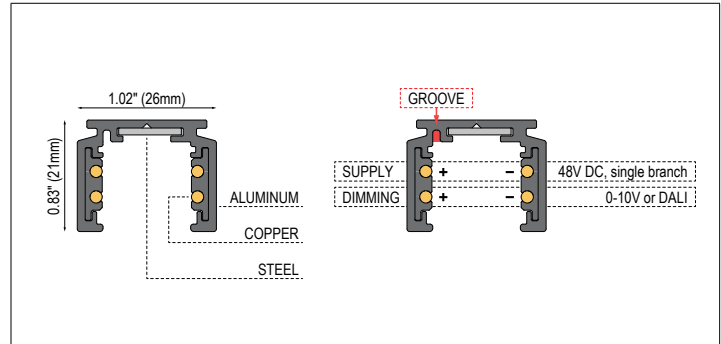
Components & Configuration

- See following pages for detailed component and ordering information

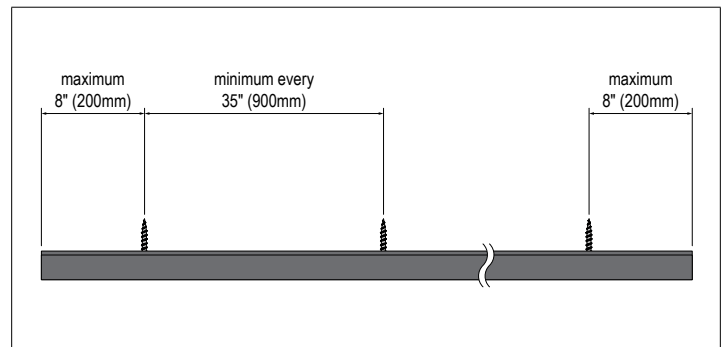


Track Profile Specifications

- For surface ceiling or wall installation
- Profile finish: powder coat or anodisation
- Available lengths: 39.4", 78.7" & 118.1" (can be field cut)
- Power supplies and accessories are ordered separately
- Maximum load = 22lb (10kg) for profile length ≤ 39" (1m)
- Add 11lb (5kg) to the maximum load for each additional profile length of 39" (1m)
- When connecting multiple profiles, the "groove" should always be on the same side
- Weight: 0.5lbs/ft



Materials / Dimensions / Electrical



Surface fixation points (minimum)

Ordering Information

Ordering Code	Version	Length	Finish	Quantity (pcs)
PISTA-T48V-PROF-S-39.4-DY-BLS	Track Profile	39.4"	Black Structure	
PISTA-T48V-PROF-S-39.4-DY-WHS	Track Profile	39.4"	White Structure	
PISTA-T48V-PROF-S-78.7-DY-BLS	Track Profile	78.7"	Black Structure	
PISTA-T48V-PROF-S-78.7-DY-WHS	Track Profile	78.7"	White Structure	
PISTA-T48V-PROF-S-78.7-DY-BRBA	Track Profile	78.7"	Bronze Anodised	
PISTA-T48V-PROF-S-78.7-DY-CHBA	Track Profile	78.7"	Champagne Anodised	
PISTA-T48V-PROF-S-118.1-DY-BLS	Track Profile	118.1"	Black Structure	
PISTA-T48V-PROF-S-118.1-DY-WHS	Track Profile	118.1"	White Structure	
PISTA-T48V-PROF-S-118.1-DY-BRBA	Track Profile	118.1"	Bronze Anodised	
PISTA-T48V-PROF-S-118.1-DY-CHBA	Track Profile	118.1"	Champagne Anodised	

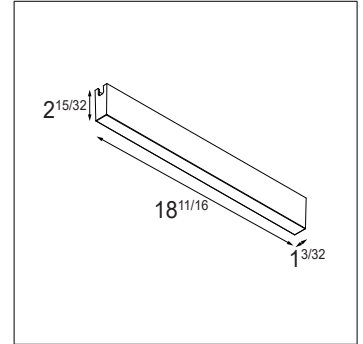
Power Supply Specifications - Surface Mounted Drivers

Surface Mounted Power Supply

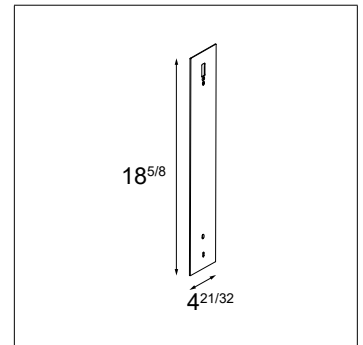
- Class 2 constant voltage power supply
- Included: plaster finish plate for installation with a 4"x4" octagonal junction box
- Must be combined with Power Feed (specify on page 5)
- Can optionally be combined with Backplate to cover the junction box
- For surface mount use only
- Box material: cast aluminum
- Box finish: powder coat
- Maximum load: 90% of rated power
- Power factor: > 0.9
- Dry locations only
- Weight: 2.2lbs

Backplate for Surface Mounted Power Supply

- Optional accessory for Surface mounted Power Supply
- Backplate covers a 4"x4" octagonal or 3"x2" junction box
- Material: stainless steel
- Finish: powder coat
- Thickness: 0.08"
- Weight: 2.0lbs



Surface Mounted Power Supply



Backplate

Electrical Specifications & Ordering Information

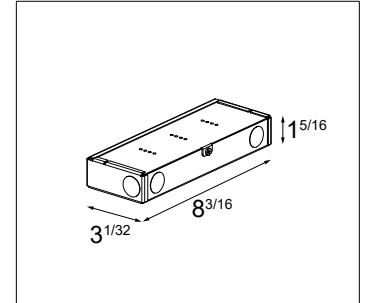
Ordering Code	Input	Output	Finish	Quantity (pcs)
PISTA-T48V-SMLEDPWRSUPPLY-40W-S-DY-BLS	120-277VAC - 50/60Hz	48VDC - 40W	Black Structure	
PISTA-T48V-SMLEDPWRSUPPLY-40W-S-DY-WHS	120-277VAC - 50/60Hz	48VDC - 40W	White Structure	
PISTA-T48V-SMLEDPWRSUPPLY-60W-S-DY-BLS	120-277VAC - 50/60Hz	48VDC - 60W	Black Structure	
PISTA-T48V-SMLEDPWRSUPPLY-60W-S-DY-WHS	120-277VAC - 50/60Hz	48VDC - 60W	White Structure	
PISTA-T48V-SMLEDPWRSUPPLY-96W-S-DY-BLS	120-277VAC - 50/60Hz	48VDC - 96W	Black Structure	
PISTA-T48V-SMLEDPWRSUPPLY-96W-S-DY-WHS	120-277VAC - 50/60Hz	48VDC - 96W	White Structure	

Accessories Ordering Information

Ordering Code	Version	Finish	Quantity (pcs)
PISTA-T48V-BP-C-32-SMGB-BLS	Backplate for 3"x2" junction box	Black Structure	
PISTA-T48V-BP-C-32-SMGB-WHS	Backplate for 3"x2" junction box	White Structure	
PISTA-T48V-BP-C-44-SMGB-BLS	Backplate for 4"x4" octagonal junction box	Black Structure	
PISTA-T48V-BP-C-44-SMGB-WHS	Backplate for 4"x4" octagonal junction box	White Structure	

Power Supply Specifications - Remote Drivers

- Class 2 constant voltage power supply
- Must be combined with Power Feed (specify at the bottom of the page)
- For cabinet and surface mount use only
- 4 mounting holes for surface mounting
- 4 knockout holes for line voltage wiring (input)
- 4 knockout holes for low voltage wiring (output)
- May be placed up to 50ft away from track using 16AWG wire
- Maximum load: 90% of rated power
- Power factor: > 0.9
- Dry locations only
- Weight: 1.4lbs



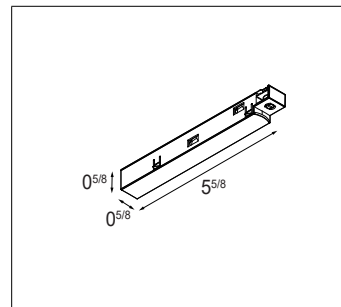
Remote Power Supply

Electrical Specifications & Ordering Information

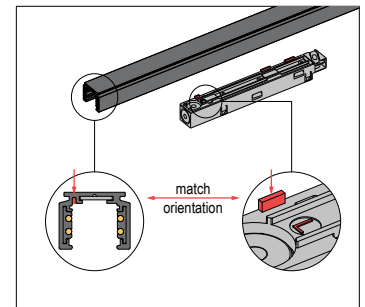
Ordering Code	Input	Output	Finish	Quantity (pcs)
PISTA-T48V-LEDPWRSUPPLY-60W-DY	120-277VAC - 50/60Hz	48VDC - 60W	n/a	
PISTA-T48V-LEDPWRSUPPLY-96W-DY	120-277VAC - 50/60Hz	48VDC - 96W	n/a	

Track Accessories Specifications - Power Feed Connectors

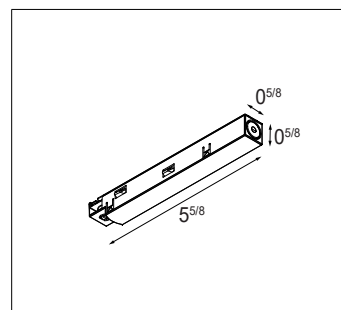
- Used to supply power to the track
- "Groove" side is the difference between Power Feed Left & Right
- Left or Right does not matter if in the middle of the track
- For use with 16-18AWG wire
- Weight: 0.1lbs



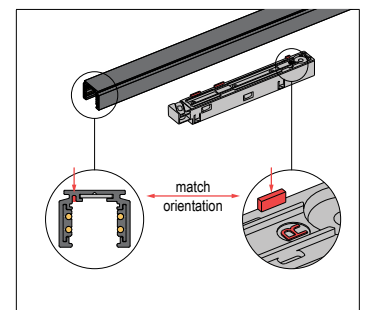
Power Feed Left



Power Feed Left - Groove Orientation



Power Feed Right



Power Feed Right - Groove Orientation

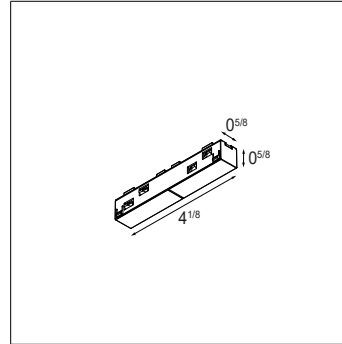
Ordering Information

Ordering Code	Version	Finish	Quantity (pcs)
PISTA-T48V-PFLEFT-DY-BLS	Power Feed Left	Black	
PISTA-T48V-PFLEFT-DY-WHS	Power Feed Left	White	
PISTA-T48V-PFRIGHT-DY-BLS	Power Feed Right	Black	
PISTA-T48V-PFRIGHT-DY-WHS	Power Feed Right	White	

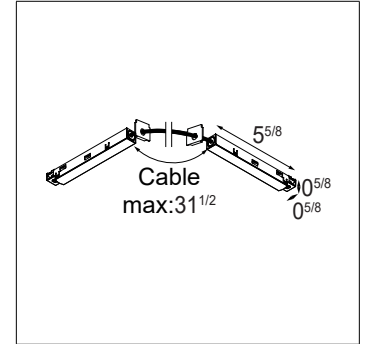
Track Accessories Specifications - Track Connectors

180° Connection

- Connects 2 tracks in the same direction (in the same plane)
- Contains adapter for electrical continuity
- Can not be used to supply power to the track
- Weight: 0.1lbs



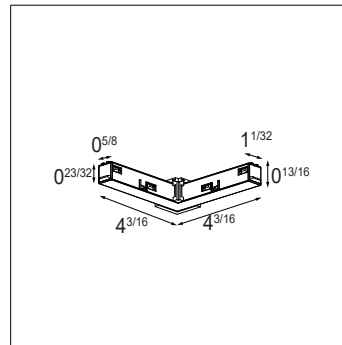
180° Connection



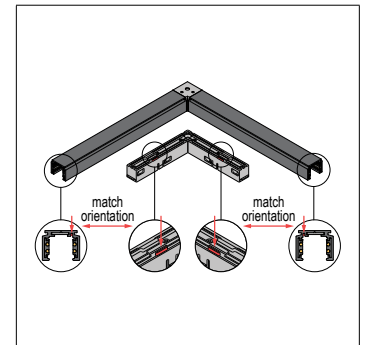
Flexible Connection

90° Connection Inside

- Connects 2 tracks in a 90° angle (in the same plane)
- Contains mechanical connection and adapter for electrical continuity
- "Groove" is on the inside of the connection
- Can not be used to supply power to the track
- Weight: 0.2lbs



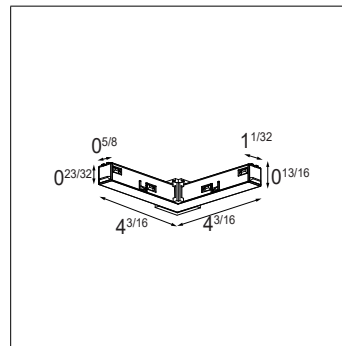
90° Connection Inside



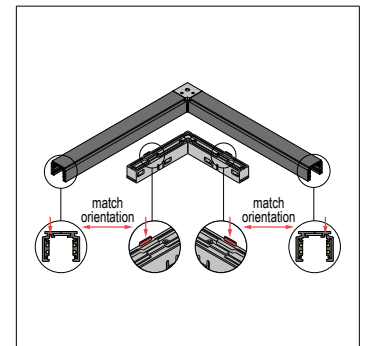
90° Connection Inside - Groove Orientation

Flexible Connection

- Connects 2 tracks to each other
- Contains 2 adapters and a connection cable for electrical continuity
- Contains 2 endplates with cable hole
- Cable diameter: 0.27"
- Cable color: black
- Cable finish: PVC
- Cable length can be field adjusted
- Can not be used to supply power to the track
- Weight: 0.5lbs



90° Connection Outside



90° Connection Outside - Groove Orientation

Ordering Information

Ordering Code	Version	Finish	Quantity (pcs)
PISTA-T48V-CONN180-S-DY-BLS	180° Connection	Black	
PISTA-T48V-CONN180-S-DY-WHS	180° Connection	White	
PISTA-T48V-CONN90IN-S-DY-BLS	90° Connection Inside	Black	
PISTA-T48V-CONN90IN-S-DY-WHS	90° Connection Inside	White	
PISTA-T48V-CONN90OUT-S-DY-BLS	90° Connection Outside	Black	
PISTA-T48V-CONN90OUT-S-DY-WHS	90° Connection Outside	White	
PISTA-T48V-CONNFLEX-DY-BLS	Flexible Connection	Black	
PISTA-T48V-CONNFLEX-DY-WHS	Flexible Connection	White	

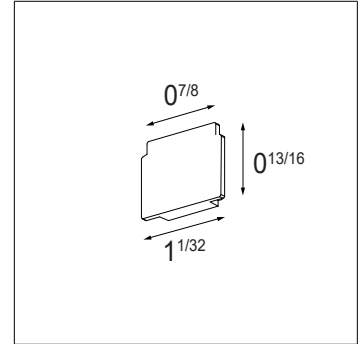
Track Accessories Specifications - Finishing

Endplate

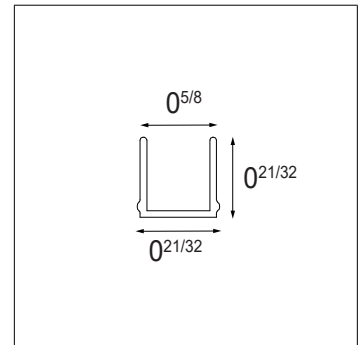
- Contains 2 endplates
- Non-conductive
- Weight: 0.03lbs

Finishing Cover

- Optional
- Can be field cut
- Non-conductive
- Weight: 0.2lbs (39.4" version), 0.4lbs (78.7" version)



Endplate



Finishing Cover

Ordering Information

Ordering Code	Version	Finish	Quantity (pcs)
PISTA-T48V-ENDPLATE-S-DY-BLS	Endplate	Black	
PISTA-T48V-ENDPLATE-S-DY-WHS	Endplate	White	
PISTA-T48V-ENDPLATE-S-DY-BR	Endplate	Bronze	
PISTA-T48V-ENDPLATE-S-DY-CH	Endplate	Champagne	
PISTA-T48V-COVER-39.4-DY-BLS	Finishing Cover, Length: 39.4"	Black	
PISTA-T48V-COVER-39.4-DY-WHS	Finishing Cover, Length: 39.4"	White	
PISTA-T48V-COVER-78.7-DY-BLS	Finishing Cover, Length: 78.7"	Black	
PISTA-T48V-COVER-78.7-DY-WHS	Finishing Cover, Length: 78.7"	White	

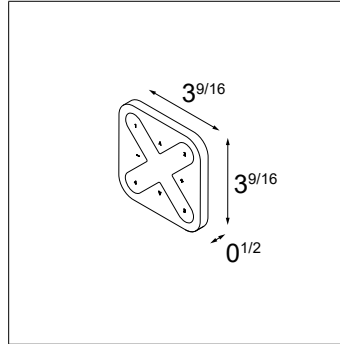
Control Accessories Specifications - Casambi Wireless Control

Casambi Dim Module

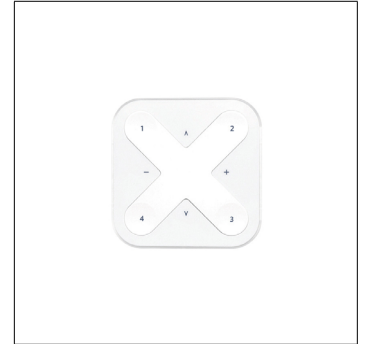
- Utilizes Bluetooth Low Energy Wireless Mesh (no control wires required)
- For individual/discrete fixture control (requires fixtures to be DALI dimmable)
- Connect up to 64 DALI track 48V fixtures to one dim module
- Not to be connected to an existing DALI network
- Only use as independent system
- Contact customer service for the latest configuration & setup documentation
- Weight: 0.1lbs

Casambi Wireless Switch

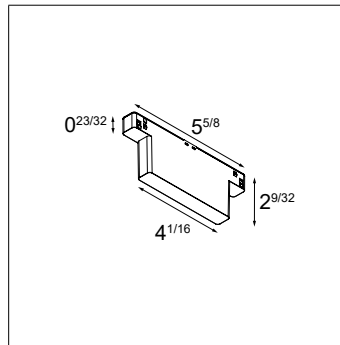
- Range: up to 164ft in open air
- Weight: 0.2lbs



Casambi Wireless Switch



Casambi Wireless Switch



Casambi Dim Module



Casambi Dim Module

Ordering Information

Ordering Code	Version	Finish	Quantity (pcs)
PISTA-T48V-CASAMBI-DIM-BLS	Casambi Dim Module	Black	
PISTA-T48V-CASAMBI-DIM-WHS	Casambi Dim Module	White	
PISTA-T48V-CASAMBI-SWITCH-WH	Casambi Wireless Switch	White	

Listings and Certifications

- Listed: cULus
- Dry locations



Warranty

- Visit <https://www.supermodular.com/en-us/warranty>