

Smart Cake 1.9 Tube Surface

Overview

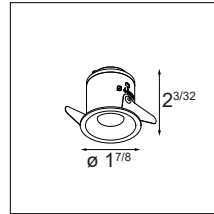


Smart Cake is part of the Smart family. This family's styling is based on our most popular iconic designs. Its gently sloping sides ensure a soft distribution of light.

With an outer diameter of 1.9" and an aperture of 1.9 inches, the Smart Cake 1.9 is compact yet powerful. Forming a cUL class II luminaire when combined with the tube, the installation options are endless.

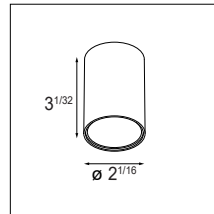
How to Specify (Example)

1. Select Lamp Module → Page 2



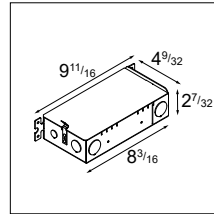
Example: **SMART-C-R-1.9-1X-30M-DP-DE-WHS**
(Smart Cake Recessed 1.9 1x, 3000K, medium, damp rated, driver excluded, white structure)

2. Select Tube → Page 3



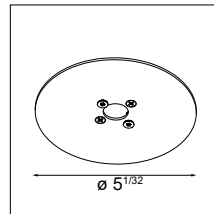
Example: **SMARU-S-1.9-1X-DP-DE-WHS**
(Smart Tube Surface 1.9, 1 lamp, damp rated, driver excluded, white structure)

3. Select Remote Driver → Page 4



Example: **NON-IC-RD-DP-010P-500-6**
(Non IC remote driver, damp rated, 0-10V/ELV/Triac, 500mA, 6W)

4. Select Optional Accessories → Page 5



Example: **BP-C-44-SMART-ST-1.9-WHS**
(Backplate for 4x4 junction box, Smart 1.9, white structure)

Example Order:

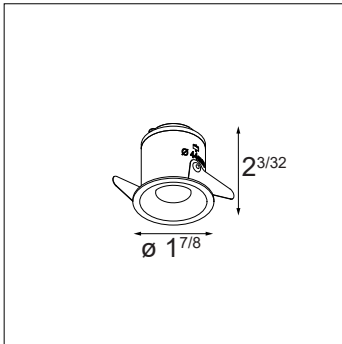
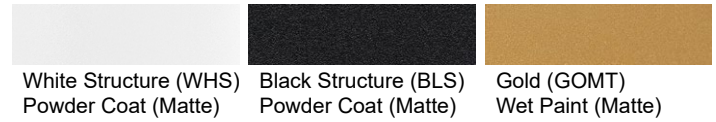
Qty.	Item
1	SMART-C-R-1.9-1X-30M-DP-DE-WHS
1	SMARU-S-1.9-1X-DP-DE-WHS
1	NON-IC-RD-DP-010P-500-6
1	BP-C-44-SMART-ST-1.9-WHS

Lamp Specifications & Ordering Information

- Aperture: 1.9"
- Trim Material: Cast Aluminum
- Trim Finish: Powder Coat or Wet Paint*
- Must be combined with surface tube

* Wet Paint is only used for the gold finish

Lamp Module Finish Options



Ordering Information

SMART-C-R-1.9-1X				DE			
Smart Cake Recessed 1.9 1x	[blank] Clear Glass ⁽¹⁾	27 2700K	M Medium 28° ⁽¹⁾ /44° ⁽²⁾	DP Damp Location	DE Driver Excluded	WHS White Structure	
	MPG Microprismatic Glass ⁽²⁾	30 3000K				BLS Black Structure	
		35 3500K	Warm Dim			GOMT Gold Matt	
		WD Warm Dim 3000K - 1800K	F Flood 43° ⁽¹⁾ /44° ⁽²⁾				

Example Ordering Code

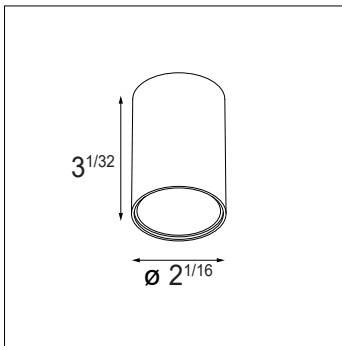
SMART-C-R-1.9-1X		30M	DP	DE	BLS
-------------------------	--	------------	-----------	-----------	------------

Smart Cake Recessed 1.9 1x, 3000K, medium, damp rated, driver excluded, black structure)

Surface Tube Specifications

- Tube body forms cUL class II connection box
- Tube Material: Cast Aluminum
- Tube Finish: Powder Coat
- Included with tube: Plaster finish plate for 4x4 octagonal junction box
- Weight: 0.4lbs

Tube Finish Options



Surface Tube

Tube Ordering Information

SMARU-S-1.9-1X - **DP** - **DE** -

Smart Tube Surface
1.9 1x

DP Damp
Location

DE Driver Excluded
(requires remote driver)

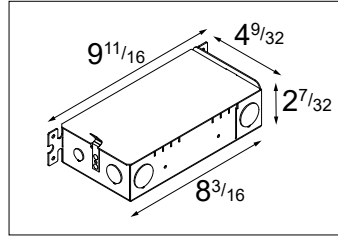
WHS White Structure

BLS Black Structure

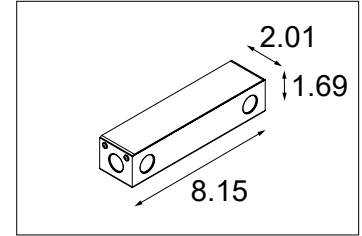
Smart Cake 1.9 Tube Surface

Remote Driver Specifications

- Remote driver housing material: Sheet metal (galvanized steel)
- Remote driver housing can be bottom mounted, side mounted or mounted to t-bar grid



Remote Driver Box 'B'



Remote Driver Box 'A'

Remote Driver Information

SELECTION ↓	ORDERING CODE	BOX TYPE	DIMMING TYPE	LAMP MODULE COMPATIBILITY	OUTPUT CURRENT	INPUT VOLTAGE	TYPICAL DIMMING LEVEL**	UL LOCATION					FIXTURE QUANTITY (SERIAL CONNECTION)				
								RECESSED TYPE IC	RECESSED TYPE NON-IC	SURFACE	CABINET	UNDER CABINET	1X	2X	3X	4X	5X
	NON-IC-RD-DP-010P-350-8	B	0-10V, ELV & Triac	Fixed CCT (2700K, 3000K, 3500K)	350mA	120-277VAC, 120VAC*	1%	-	X	X	X	X	-	X	-	-	-
	NON-IC-RD-DP-010P-350-11	B	0-10V, ELV & Triac	Fixed CCT (2700K, 3000K, 3500K)	350mA	120-277VAC, 120VAC*	1%	-	X	X	X	X	-	-	X	-	-
	NON-IC-RD-DP-010P-350-14	B	0-10V, ELV & Triac	Fixed CCT (2700K, 3000K, 3500K)	350mA	120-277VAC, 120VAC*	1%	-	X	X	X	X	-	-	-	X	-
	NON-IC-RD-DP-010P-500-6	B	0-10V, ELV & Triac	Fixed CCT (2700K, 3000K, 3500K)	500mA	120-277VAC, 120VAC*	1%	-	X	X	X	X	X	-	-	-	-
	NON-IC-RD-DP-010P-500-16	B	0-10V, ELV & Triac	Fixed CCT (2700K, 3000K, 3500K)	500mA	120-277VAC, 120VAC*	1%	-	X	X	X	X	-	-	X	-	-
	NON-IC-RD-DP-010P-500-21	B	0-10V, ELV & Triac	Fixed CCT (2700K, 3000K, 3500K)	500mA	120-277VAC, 120VAC*	1%	-	X	X	X	X	-	-	-	X	-
	IC-RD-DP-TE1-500-12	B	ELV & Triac	Fixed CCT (2700K, 3000K, 3500K)	500mA	120VAC	1%	X	-	X	X	X	-	X	-	-	-
	IC-RD-DP-TE1-500-20	B	ELV & Triac	Fixed CCT (2700K, 3000K, 3500K)	500mA	120VAC	1%	X	-	X	X	X	-	-	-	X	-
	IC-RD-DP-0101-EL-350-30	B	0-10V	Fixed CCT (2700K, 3000K, 3500K)	350mA	120-277VAC	1%	X	-	X	X	X	X	X	X	X	X
	IC-RD-DP-0101-EL-500-30	B	0-10V	Fixed CCT (2700K, 3000K, 3500K)	500mA	120-277VAC	1%	X	-	X	X	X	X	X	X	X	X
	IC-RD-DP-0101-EL-250	B	0-10V	Warm Dim 3000K-1800K	250mA	120-277VAC	1%	X	-	X	X	X	X	X	-	-	-
	RD-DP-TE01-250	A	Trailing Edge Dimmable	Warm Dim 3000K-1800K	250mA	120-277VAC	0.1%	contact factory					X	-	-	-	-

* Dimming via ELV and Triac only compatible at 120VAC

** Consult the factory for dimmer compatibility

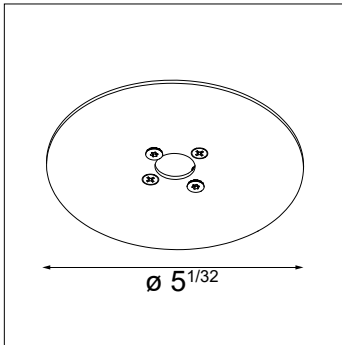
Accessories Specifications

- Accessories are optional (plaster plate comes standard*)
- Backplate / Cover Plate provides a cUL listed option for covering a 4x4 octagonal electrical box
- Cover Plate Material: Stainless steel
- Cover Plate Finish: Powder Coat
- Plate Thickness: 0.08"
- Weight: 0.7lbs

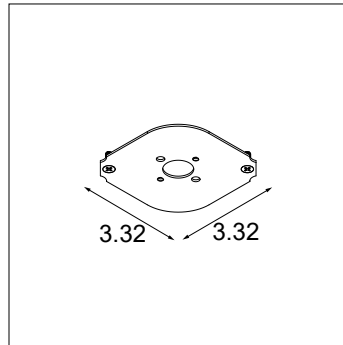
Plate Finish Options



* An additional plaster plate can be ordered to be delivered in advance



Cover Plate for Tube Surface 1.9



Plaster Finish Plate for 4x4 octagonal junction box for Tube Surface 1.9 / Semih 2.4

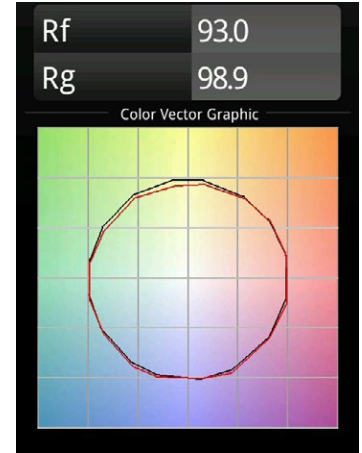
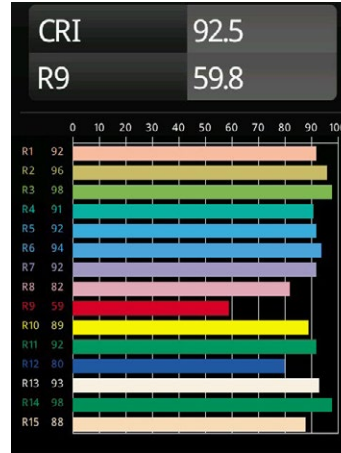
Accessory Ordering Information

BP-C	-		-	SMART-ST-1.9	-	
Backplate Cover	44	4"x4" Junction Box		Smart Tube Surface 1.9"		WHS White Structure
	32	3"x2" Junction Box				BLS Black Structure
PP	-	44	-	SMART-ST-1.9-SEMIH-2.4	-	
Plaster Finish Plate for 4x4 octagonal junction box				Smart Tube Surface 1.9" / Semih 2.4"		

Smart Cake 1.9 Tube Surface

Performance Specifications (per luminaire)

	Fixed CCT	Warm Dim
Weight	0.25 lbs	
Location	Damp	
CRI*	92, R9: 60	97, R: 95
Lifetime	L80 B20 @ 50.000 hrs	
UGR	see website	
Electrical (typical)		
	Fixed CCT	Warm Dim
	350mA 500mA	250mA
Vf	8.6V 8.6V	17V
Power	3W 4.3W	4.3W



*CRI & TM-30 Value for 3000K

For photometric files see website or contact factory

Output Specifications

() indicates multipliers

Reference Delivered Lumens	CCT	Optics	Current	Finish
205 (3000K, M, 500mA, WHS)	2700K (0.87) 3000K (1.0) 3500K (0.91)	MPG M (1.05) M (1.0)	350mA (0.74) 500mA (1.0)	WHS (1.0) GOMT (0.91) BLS (0.85)
121 (3000K -1800K, M, 250mA, WHS)	3000K – 1800K (1.0)	MPG F (0.97) F (1.0)	250mA (1.0)	WHS (1.0) GOMT (0.90) BLS (0.74)

Example Calculation

To determine typical output for 2700K, microprismatic glass, optic medium, 350mA in Gold.

$$205 \times 0.87 \times 1.05 \times 0.74 \times 0.91 = 126 \text{ lumen}$$

Listings and Certifications

- Damp location listed
- cUL & UL listed

Warranty

Visit <https://www.supermodular.com/warranty>