

## Smart Lotis Tube Suspended 4.5

### Overview

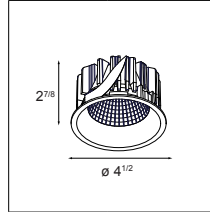


Smart Lotis is the best known fixture within the Smart family. The deeply recessed cone which holds the light source inspired the designers to create a very versatile spot to be combined with multiple accessories.

With an outer diameter of 4.5" and an aperture of 4 inches (fixed version) or 3.1 inches (adjustable version), the Smart Lotis 4.5 is compact yet powerful. Combined with a tube (cylinder) that is offered in multiple finishes, the beautiful combinations are yours to discover.

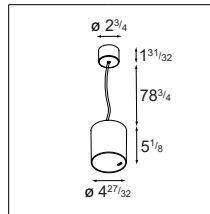
### How to Specify (example)

#### 1. Select Lamp Unit → Page 2



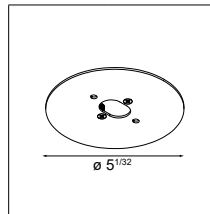
Example: **SMART-L-R-4.5-1X-MG-30F-DP-DE-GOMT**  
Smart Lotis 4.5, fix version, microprismatic glass, 3000K, flood, damp rated, gold

#### 2. Select Tube → Page 3



Example: **SMARU-SP-4.5-1X-DP-LE/TE-DI-500-WHS**  
Tube Suspended 4.5, damp rated, ELV & Triac driver included, 500mA, white structure

#### 3. Select Optional Accessories → Page 4



Example: **BP-C-44-SMART-TSS-4.5-WHS**  
Backplate Cover, for 4"x4" octagonal junction box, Tube Suspended 4.5, white structure

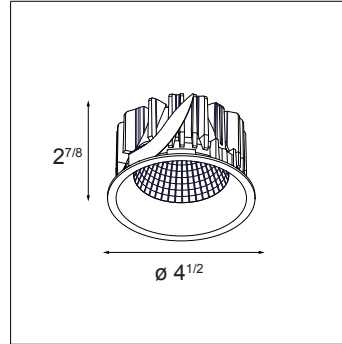
Example order:

Quantity	Item
1	<b>SMART-L-R-4.5-1X-MG-30F-DP-DE-GOMT</b>
1	<b>SMARU-SP-4.5-1X-DP-LE/TE-DI-500-WHS</b>
1	<b>BP-C-44-SMART-TSS-4.5-WHS</b>

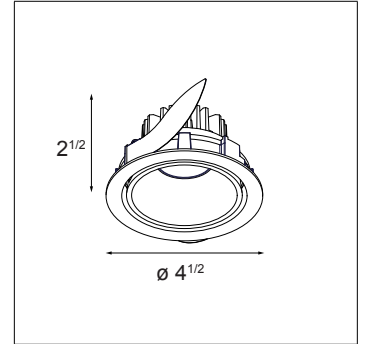
## Smart Lotis Tube Suspended 4.5

### Lamp Specifications

- Aperture: 4" (fix version), 3.1" (adjustable version)
- Adjustability: 0-25° (adjustable version only)
- Trim material: cast aluminum
- Trim finish: powder coat or wet paint
- Must be combined with Tube



Smart Lotis 4.5 (fix version)

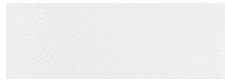


Smart Lotis Adjustable 4.5 (adjustable version)

### Finish Information



Black Structure (BLS)  
Powder Coat (Matte)



White Structure (WHS)  
Powder Coat (Matte)



Gold (GOMT)  
Wet Paint (Matte)

### Ordering Information

SMART-L-R-4.5-1X					DP	DE					
SMART-L-R-4.5-1X	Smart Lotis 4.5 (fix version)	MG	Microprismatic Glass	27	2700K	F	Flood (41°) <sup>(2)</sup>	DP	Damp Location	BLS	Black Structure
		FG	Frosted Glass <sup>(1)</sup>	30	3000K	M	Medium (25°)			WHS	White Structure
				35	3500K	S	Spot (16°)			GOMT	Gold Matte
SMART-L-R-A-4.5-1X					DP	DE					
SMART-L-R-A-4.5-1X	Smart Lotis Adjustable 4.5 (adjustable version) <sup>(3)</sup>			27	2700K	F	Flood (39°)	DP	Damp Location	BLS	Black Structure
				30	3000K	M	Medium (25°)			WHS	White Structure
				35	3500K	S	Spot (13°)			GOMT	Gold Matte

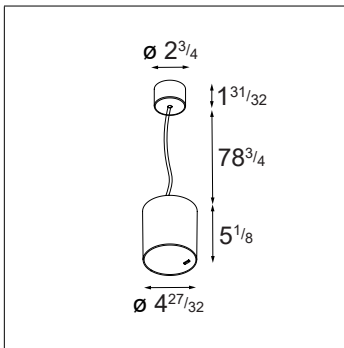
<sup>(1)</sup> Frosted Glass can only be combined with a Flood beam angle

<sup>(2)</sup> Frosted Glass version: 37°

<sup>(3)</sup> Adjustable version is always provided without a Glass

### Tube Specifications

- Tube material: cast aluminum
- Tube finish: powder coat
- Canopy material: aluminum
- Canopy finish: powder coat (color matches the color of the tube)
- Cable finish: woven fabric
- Cable color: black
- Cable diameter: 0.3"
- Cable length is field adjustable
- Driver: included in the tube
- Suitable for 1 lamp unit
- Included: plaster finish plate for installation with a 4"x4" octagonal junction box
- Can optionally be combined with Backplate to cover the junction box
- Weight: 3.8lbs

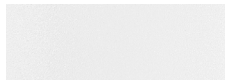


Tube Suspended 4.5

### Finish Information



Black Structure (BLS)  
Powder Coat (Matte)



White Structure (WHS)  
Powder Coat (Matte)

### Box Specifications & Ordering Information

Ordering Code	Version	Finish	Input	Output	Dim <sup>(5)</sup>	Connected Load
<b>Fix <sup>(4)</sup></b>						
SMARU-SP-4.5-1X-DP-LE/TE-DI-500-BLS	Tube Suspended 4.5	Black Structure	120VAC	500mA DC	ELV & Triac - 1%	19.1W
SMARU-SP-4.5-1X-DP-LE/TE-DI-500-WHS	Tube Suspended 4.5	White Structure	120VAC	500mA DC	ELV & Triac - 1%	19.1W
<b>Adjustable <sup>(4)</sup></b>						
SMARU-A-SP-4.5-1X-DP-LE/TE-DI-500-BLS	Tube Suspended 4.5	Black Structure	120VAC	500mA DC	ELV & Triac - 1%	10.5W
SMARU-A-SP-4.5-1X-DP-LE/TE-DI-500-WHS	Tube Suspended 4.5	White Structure	120VAC	500mA DC	ELV & Triac - 1%	10.5W

<sup>(4)</sup> Version must match Lamp version (page 2)

<sup>(5)</sup> Consult the factory for dimmer compatibility

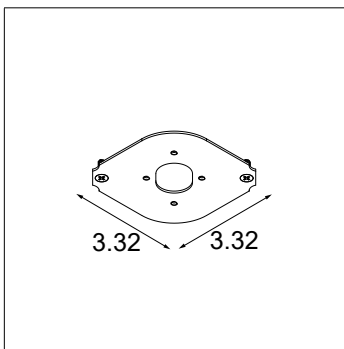
**Accessories Specifications**

**Plaster Finish Plate**

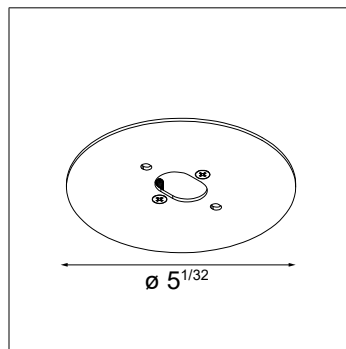
- Always included with the Tube
- An additional Plaster Plate can be ordered, to be delivered in advance

**Backplate**

- Optional
- Covers a 4"x4" octagonal junction box
- Material: stainless steel
- Finish: powder coat
- Thickness: 0.08"
- Weight: 0.7lbs



Plaster Plate Tube Suspended 4.5

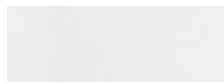


Backplate Tube Suspended 4.5

**Finish Information**



Black Structure (BLS)  
Powder Coat (Matte)



White Structure (WHS)  
Powder Coat (Matte)

**Ordering Information**

<b>PP</b>	-	<b>44</b>	-	<b>SMART-TSS-3.2-4.5</b>
PP	Plaster Finish Plate	44	For 4"x4" octagonal junction box	SMART-TSS-3.2-4.5 Tube Suspended 4.5

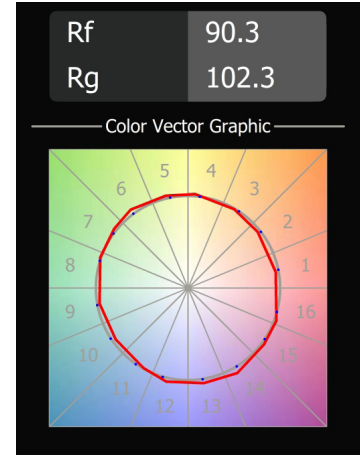
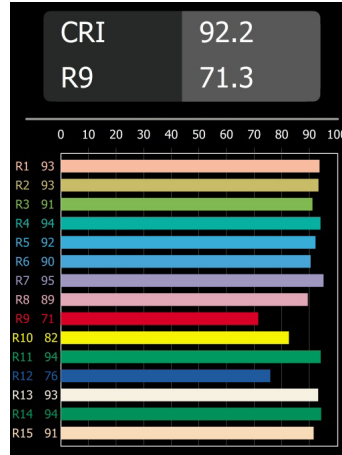
<b>BP-C</b>	-	<b>44</b>	-	<b>SMART-TSS-4.5</b>	-	
BP-C	Backplate Cover	44	For 4"x4" octagonal junction box	SMART-TSS-4.5	Tube Suspended 4.5	<b>BLS</b> Black Structure <b>WHS</b> White Structure

## Smart Lotis Tube Suspended 4.5

### Performance Specifications (per lamp unit)

Lamp Unit	Fix	Adjustable
Weight	1.3lbs	1.0lbs
Adjustability	-	0-25°
Location	damp	damp
CRI*	92, R9: 71	92, R9: 71
Lifetime	L80 B20 @ 50,000 hrs	L80 B20 @ 50,000 hrs
UGR	see website	see website
<hr/>		
Electrical (typical)	Fix	Adjustable
Drive Current (mA DC)	500	500
Forward Voltage (V)	31.3	14.4
LED Power (W)	15.7	7.2

\* CRI & TM-30 Value for 3000K



For photometric files see website or contact factory.

### Output Specifications (per lamp unit)

Reference Delivered Lumens	CCT	Optics	Drive Current	Finish
<b>Fix</b>				
1712 (ref. 3000K, MG F, 500mA WHS)	2700K (0.95) 3000K (1.00) 3500K (1.07)	MG F (1.00) MG M (1.03) MG S (1.03) FG F (0.90)	500mA (1.00)	BLS (0.94) WHS (1.00) GOMT (0.97)
<b>Adjustable</b>				
749 (ref. 3000K, F, 500mA WHS)	2700K (0.96) 3000K (1.00) 3500K (1.04)	F (1.00) M (1.03) S (1.02)	500mA (1.00)	BLS (0.90) WHS (1.00) GOMT (0.94)

Multipliers are indicated between brackets: ( )

Example calculation, to determine typical output for Fix, 2700K, Microprismatic Glass, Medium, 500mA Black Structure: 1712 x (0.95) x (1.03) x (1.00) x (0.94) = 1574 lumens

### Listings and Certifications

- Listed: cULus
- Damp locations



### Warranty

- Visit <https://www.supermodular.com/en-us/warranty/>