

Smart Cake Tube Track 48V

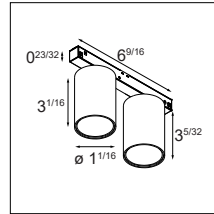
Overview



Smart Tube Track 48V is equipped with a 48V track adapter that makes our popular design one of many luminaires joining our Pista magnetic rail track. Add volume, curves and accent lighting to Pista, and combine them with a dash of color with our Smart designs, Kup, Lotis, and Cake.

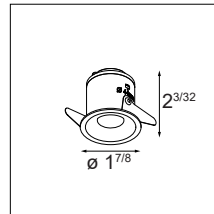
How to Specify (Example)

1. Select Tube → Page 2



Example: **SMARU-T48-1.9-2X-DY-0101-DI-WHS**
(Smart Tube Track 48V 1.9, 2 lamp, dry rated, 0-10V control, driver included, white structure)

2. Select Lamp Module → Page 3



Example: **SMART-C-R-1.9-1X-30M-DP-DE-WHS**
(Smart Cake Recessed 1.9 1x, 3000K, medium, damp rated, driver excluded, white structure)

Example Order:

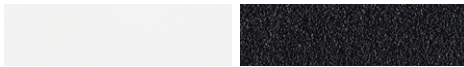
Qty.	Item
1	SMARU-T48-1.9-2X-DY-0101-DI-WHS
2	SMART-C-R-1.9-1X-30M-DP-DE-WHS

Smart Cake Tube Track 48V

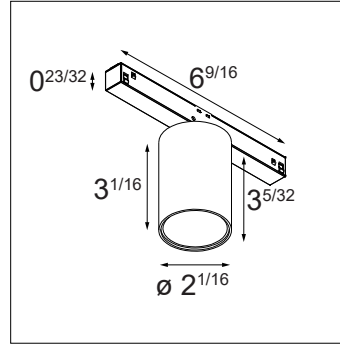
Surface Tube Specifications

- For use with Pista 48V track systems
- Body Material: Cast Aluminum
- Finish: Powder coat
- Fixtures attach magnetically to the track and can be moved by sliding.
- Force to remove from track: 13.5lbs

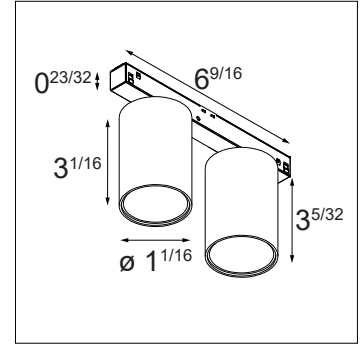
Tube Finish Options



White Structure (WHS) Powder Coat (Matte) Black Structure (BLS) Powder Coat (Matte)



Smart Tube Track 1X



Smart Tube Track 2X

Pista Track Compatibility

	SURFACE / SUSPENDED TRACK	SUSPENDED UP / DOWN TRACK		RECESSED FLANGED TRACK	RECESSED TRIMLESS TRACK
		UP PORTION	DOWN PORTION		
Pista Tube Surface 1X	Ⓜ		Ⓜ	Ⓜ	Ⓜ
Pista Tube Surface 2X	Ⓜ		Ⓜ	Ⓜ	Ⓜ

See separate track datasheets for track information and accessories

Tube Ordering Information

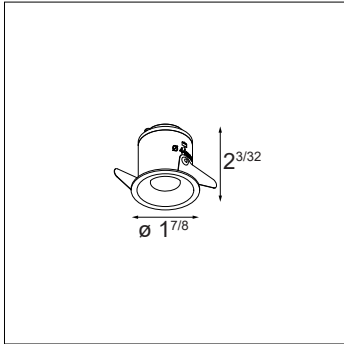
		- DY -		- DI -					
SMARU-T48-1.9-1X	Smart Tube Surface Track 48V 1.9, 1 lamp	DY	Dry Location	0101	0-10V	DI	Driver Included	WHS	White Structure
SMARU-T48-1.9-2X	Smart Tube Surface Track 48V 1.9, 2 lamp			D	Dali			BLS	Black Structure

Luminaire Specifications & Ordering Information

- Aperture: 1.9"
- Trim Material: Cast Aluminum
- Trim Finish: Powder Coat or Wet Paint*
- Must be combined with Pista surface tube

* Wet Paint is only used for the gold finish

Finish Options



Smart Cake Recessed 1.9

Ordering Information

SMART-C-R-1.9-1X				DE			
Smart Cake Recessed 1.9 1x	[blank] Clear Glass ⁽¹⁾	27	2700K	M Medium 28 ^{(1)/(2)}	DP Damp Location	DE Driver Excluded	WHS White Structure
	MPG Microprismatic Glass ⁽²⁾	30	3000K				BLS Black Structure
		35	3500K				GOMT Gold Matt

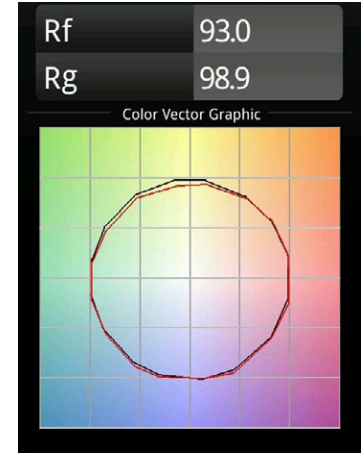
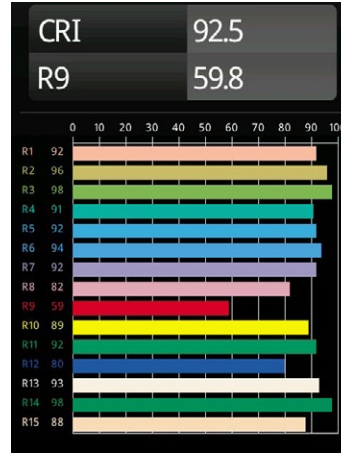
Performance Specifications (per luminaire)

	1X	2X		
Weight	0.6lbs	0.8lbs		
Location	Dry			
CRI*	92, R9: 60			
Lifetime	L80 B20 @ 50,000 hrs			
UGR	see website			
Electrical (typical)				
	Dim Type	Input Voltage	Connected Load	Dimming Level***
1L	0-10V	48VDC	6.5W	1%
1L	DALI**	48VDC	6.5W	1%
2L	0-10V	48VDC	10.5W	1%
2L	DALI**	48VDC	10.5W	1%

* CRI & TM-30 Value for 3000K

** Compatible with Casambi Wireless Pista Module. See track datasheets for more details.

*** Consult the factory for dimmer compatibility



For photometric files see website or contact factory

Output Specifications

Performance per head
Reference is 3000K, medium beam, White
() indicates multipliers

Reference Delivered Lumens	CCT	Optics	Finish
205 (3000K, M, 500mA, WHS)	2700K (0.87) 3000K (1.0) 3500K (0.91)	MPG M (1.05) M (1.0)	WHS (1.0) GOMT (0.91) BLS (0.85)

Example Calculation

To determine typical output for 2700K, Microprismatic optic, 350mA in Gold.

$205 \times 0.87 \times 1.05 \times 0.91 = 170$ lumen

Listings and Certifications

- Dry location listed
- cUL & UL listed

Warranty

Visit <https://www.supermodular.com/warranty>