

## Smart Lotis Tube Surface 1.9

### Overview

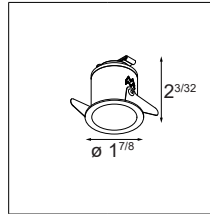


Smart Lotis is the best known fixture within the Smart family. The deeply recessed cone which holds the light source inspired the designers to create a very versatile spot to be combined with multiple accessories.

With an outer diameter of 1.9" and an aperture of 1.5 inches, the Smart Lotis 1.9 is compact yet powerful. Forming a UL class 2 luminaire when combined with the tube, the installation options are endless.

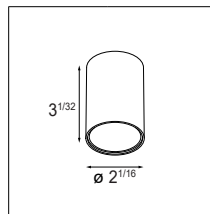
### How to Specify (example)

#### 1. Select Lamp Unit → Page 2



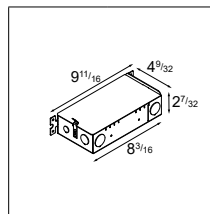
Example: **SMART-L-R-1.9-1X-MG-30M-DP-DE-BLS**  
Smart Lotis 1.9, microprismatic glass, 3000K, medium, damp rated, black structure

#### 2. Select Tube → Page 3



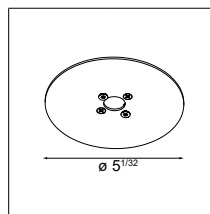
Example: **SMARU-S-1.9-1X-DP-DE-WHS**  
Tube Surface 1.9, damp rated, white structure

#### 3. Select Remote Driver → Page 4



Example: **NON-IC-RD-DP-010P-500-6**  
Remote Driver, NON-IC rated, damp rated, 0-10V, ELV & Triac, 500mA, 6W

#### 4. Select Mounting Accessory (optional) → Page 5



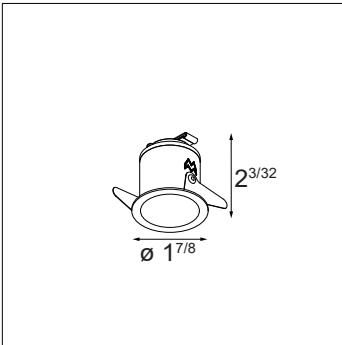
Example: **BP-C-44-SMART-ST-1.9-SEMIH-2.4-WHS**  
Backplate Cover, for 4"x4" octagonal junction box, Tube Surface 1.9, white structure

#### Example order:

Quantity	Item
1	<b>SMART-L-R-1.9-1X-MG-30M-DP-DE-BLS</b>
1	<b>SMARU-S-1.9-1X-DP-DE-WHS</b>
1	<b>NON-IC-RD-DP-010P-500-6</b>
1	<b>BP-C-44-SMART-ST-1.9-SEMIH-2.4-WHS</b>

## Lamp Specifications

- Aperture: 1.5"
- Trim material: cast aluminum
- Trim finish: powder coat or wet paint
- Must be combined with tube

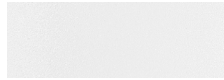


Smart Lotis 1.9

## Finish Information



Black Structure (BLS)  
Powder Coat (Matte)



White Structure (WHS)  
Powder Coat (Matte)



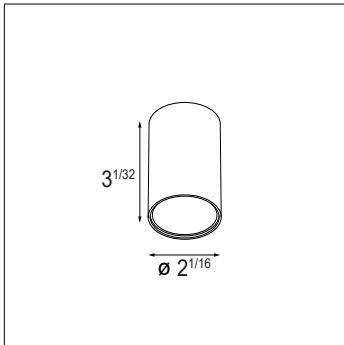
Gold (GOMT)  
Wet Paint (Matte)

## Ordering Information

SMART-L-R-1.9-1X					DP	DE	
<b>SMART-L-R-1.9-1X</b>	Smart Lotis Recessed 1.9	<b>MG</b> Microprismatic Glass	<b>27</b> 2700K <b>30</b> 3000K <b>35</b> 3500K <b>WD</b> Warm Dim 3000K - 1800K	<b>M</b> Medium (27°) <b>WD versions</b> <b>F</b> Flood (42°)	<b>DP</b> Damp Location		<b>BLS</b> Black Structure <b>WHS</b> White Structure <b>GOMT</b> Gold Matte

**Tube Specifications**

- Tube material: cast aluminum
- Tube finish: powder coat
- Driver: not included in the tube
- Must be combined with remote driver (specify on page 4)
- Suitable for 1 lamp unit
- Included: plaster finish plate for installation with a 4"x4" octagonal junction box (junction box is not required for installation)
- Can optionally be combined with Backplate to cover a junction box (specify on page 5)
- Weight: 0.6lbs

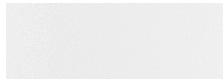


Tube Surface 1.9 1X

**Finish Information**



Black Structure (BLS)  
Powder Coat (Matte)



White Structure (WHS)  
Powder Coat (Matte)

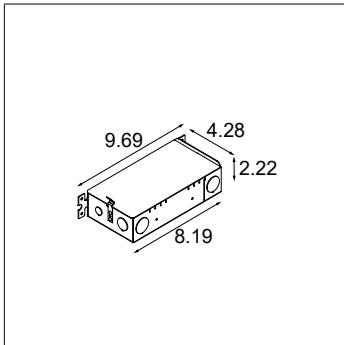
**Tube Specifications & Ordering Information**

Ordering Code	Version	Finish	Compatible Drive Current <sup>(1)</sup>	Compatible Lamp Type
SMARU-S-1.9-1X-DP-DE-BLS	Tube Surface 1.9 1X	Black Structure	250mA DC, 350mA DC & 500mA DC	Fixed CCT & Warm Dim
SMARU-S-1.9-1X-DP-DE-WHS	Tube Surface 1.9 1X	White Structure	250mA DC, 350mA DC & 500mA DC	Fixed CCT & Warm Dim

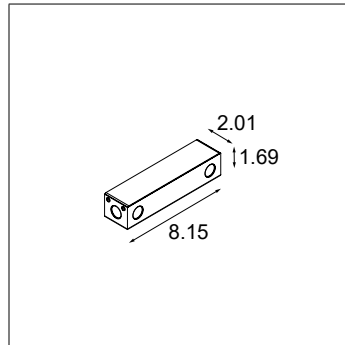
<sup>(1)</sup> Tube compatible drive current must match Remote Driver output

### Remote Driver Specifications

- Material: sheet metal (galvanized steel)
- Class 2 constant current power supply
- Multiple lamp units can be connected in series to a single driver
- Box can be bottom, side or t-bar mounted
- 4 knockout holes for line voltage conduit or cable connection
- 4 knockout holes for low-voltage conduit or cable connection
- May be placed up to 50ft away using 16AWG wire
- Suitable for damp locations



Remote Driver "A"



Remote Driver "B"

### Remote Driver Specifications & Ordering Information

Ordering Code	Version	Input	Output	Dim <sup>(3)</sup>	Driver Location					Lamp Units <sup>(4)</sup>	
					Recessed IC	Recessed Non-IC	Surface	Cabinet	Under Cabinet	Fixed CCT	Warm Dim
IC-RD-DP-0101-EL-250-30	Remote Driver "A"	120-277VAC	250mA	0-10V - 1%	☑	☐	☑	☑	☑	☐	1 - 2
RD-DP-TE01-250	Remote Driver "B"	120VAC	250mA	ELV & Triac - 0.1%	consult factory					☐	1
NON-IC-RD-DP-010P-250-10	Remote Driver "A"	120-277VAC <sup>(2)</sup>	250mA	0-10V, ELV & Triac - 1%	☐	☑	☑	☑	☑	☐	2
IC-RD-DP-0101-EL-350-30	Remote Driver "A"	120-277VAC	350mA	0-10V - 1%	☑	☐	☑	☑	☑	☐	1 - 5
NON-IC-RD-DP-010P-350-8	Remote Driver "A"	120-277VAC <sup>(2)</sup>	350mA	0-10V, ELV & Triac - 1%	☐	☑	☑	☑	☑	☐	2
NON-IC-RD-DP-010P-350-11	Remote Driver "A"	120-277VAC <sup>(2)</sup>	350mA	0-10V, ELV & Triac - 1%	☐	☑	☑	☑	☑	☐	3
NON-IC-RD-DP-010P-350-14	Remote Driver "A"	120-277VAC <sup>(2)</sup>	350mA	0-10V, ELV & Triac - 1%	☐	☑	☑	☑	☑	☐	4
IC-RD-DP-0101-EL-500-30	Remote Driver "A"	120-277VAC	500mA	0-10V - 1%	☑	☐	☑	☑	☑	☐	1 - 5
IC-RD-DP-TE1-500-12	Remote Driver "A"	120VAC	500mA	ELV & Triac - 1%	☑	☐	☑	☑	☑	☐	2
IC-RD-DP-TE1-500-20	Remote Driver "A"	120VAC	500mA	ELV & Triac - 1%	☑	☐	☑	☑	☑	☐	4
NON-IC-RD-DP-010P-500-6	Remote Driver "A"	120-277VAC <sup>(2)</sup>	500mA	0-10V, ELV & Triac - 1%	☐	☑	☑	☑	☑	☐	1
NON-IC-RD-DP-010P-500-16	Remote Driver "A"	120-277VAC <sup>(2)</sup>	500mA	0-10V, ELV & Triac - 1%	☐	☑	☑	☑	☑	☐	3
NON-IC-RD-DP-010P-500-21	Remote Driver "A"	120-277VAC <sup>(2)</sup>	500mA	0-10V, ELV & Triac - 1%	☐	☑	☑	☑	☑	☐	4

<sup>(2)</sup> Dimming via ELV & Triac only compatible at 120VAC input

<sup>(3)</sup> Consult the factory for dimmer compatibility

<sup>(4)</sup> Minimum & maximum amount of compatible lamp units, multiple lamp units must be connected in series to a single driver

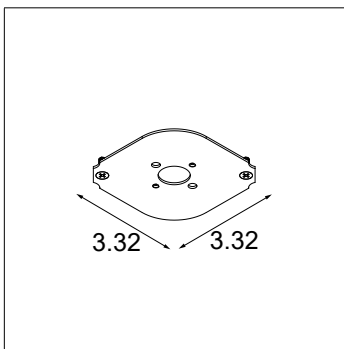
**Accessories Specifications**

**Plaster Finish Plate**

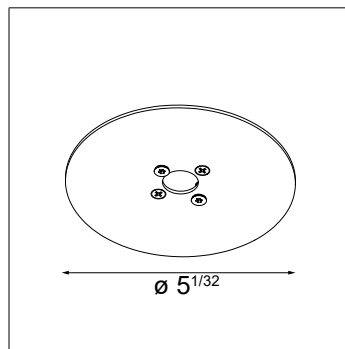
- Always included with the Tube
- An additional Plaster Plate can be ordered, to be delivered in advance

**Backplate**

- Optional
- Covers a 4"x4" octagonal or 3"x2" junction box
- Material: stainless steel
- Finish: powder coat
- Thickness: 0.08"
- Weight: 0.7lbs



Plaster Plate Tube Surface 1.9

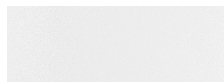


Backplate Tube Surface 1.9

**Finish Information**



Black Structure (BLS)  
Powder Coat (Matte)



White Structure (WHS)  
Powder Coat (Matte)

**Ordering Information**

<b>PP</b>	-	<b>44</b>	-	<b>SMART-ST-1.9-SEMIH-2.4</b>
-----------	---	-----------	---	-------------------------------

**PP** Plaster Finish Plate | **44** For 4"x4" octagonal junction box | **SMART-ST-1.9-SEMIH-2.4** Tube Surface 1.9

<b>BP-C</b>	-		-	<b>SMART-ST-1.9-SEMIH-2.4</b>	-	
-------------	---	--	---	-------------------------------	---	--

**BP-C** Backplate Cover | **44** For 4"x4" octagonal junction box | **SMART-ST-1.9-SEMIH-2.4** Tube Surface 1.9 | **BLS** Black Structure | **WHS** White Structure

**32** For 3"x2" junction box

## Smart Lotis Tube Surface 1.9

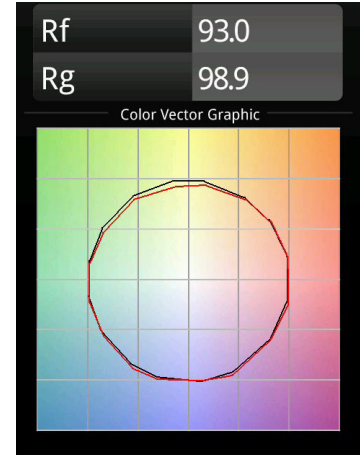
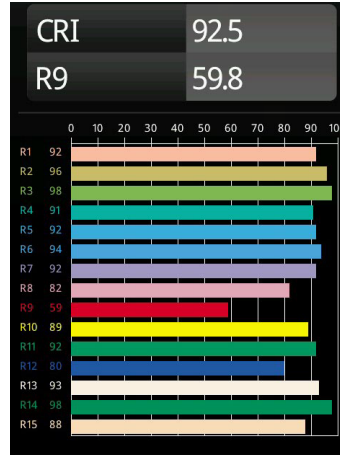
### Performance Specifications (per lamp unit)

Lamp Unit	Fixed CCT	Warm Dim
Weight	0.25lbs	0.25lbs
Location	damp	damp
CRI*	92, R9: 60	97, R9: 95
Lifetime	L80 B20 @ 50.000 hrs	L80 B20 @ 50.000 hrs
UGR	see website	see website

Electrical (typical)	Fixed CCT	Warm Dim
Drive Current (mA DC)	350    500	250
Forward Voltage (V)	8.5    8.8	17.0
LED Power (W)**	3.0    4.4	4.3

\* CRI & TM-30 Value for 3000K

\*\* Power figures exclude remote driver



For photometric files see website or contact factory.

### Output Specifications (per lamp unit)

Reference Delivered Lumens	CCT	Optics	Drive Current	Finish
305 (ref. 3000K, MG M, 500mA, WHS)	2700K (0.87) 3000K (1.00) 3500K (0.91)	MG M (1.00)	350mA (0.74) 500mA (1.00)	BLS (0.99) WHS (1.00) GOMT (1.03)
172 (ref. 3000K-1800K, MG F, WHS)	3000K - 1800K (1.00)	MG F (1.00)	250mA (1.00)	BLS (0.91) WHS (1.00) GOMT (0.99)

Multipliers are indicated between brackets: ( )

Example calculation, to determine typical output for 2700K, Microprismatic Glass, Medium, 350mA Black Structure: 305 x (0.87) x (1.00) x (0.74) x (0.99) = 194 lumens

### Listings and Certifications

- Listed: cULus
- Damp locations



### Warranty

- Visit <https://www.supermodular.com/en-us/warranty/>