

Smart Cake Tube Track 48V Suspended

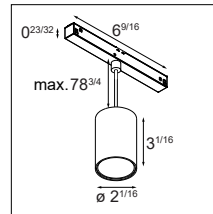
Overview



Smart Tube Track 48V Suspended is equipped with a 48V track adapter that makes our popular design one of many luminaires joining our Pista magnetic rail track. A long and thin matte black suspension cable holds our design at your perfect height and brings light and personality to your space.

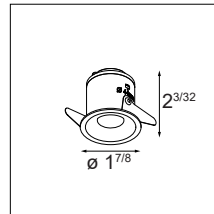
How to Specify (Example)

1. Select Tube → Page 2



Example: **SMARU-T48-SP-1.9-1X-DY-0101-DI-WHS**
(Smart Tube Track 48V Suspended 1.9, 1 lamp, dry rated, 0-10V control, driver included, white structure)

2. Select Lamp Module → Page 3



Example: **SMART-C-R-1.9-1X-30M-DP-DE-WHS**
(Smart Cake Recessed 1.9 1x, 3000K, medium, damp rated, driver excluded, white structure)

Example Order:

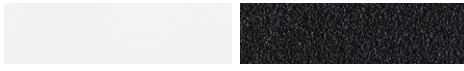
Qty.	Item
1	SMARU-T48-SP-1.9-1X-DY-0101-DI-WHS
1	SMART-C-R-1.9-1X-30M-DP-DE-WHS

Smart Cake Tube Track 48V Suspended

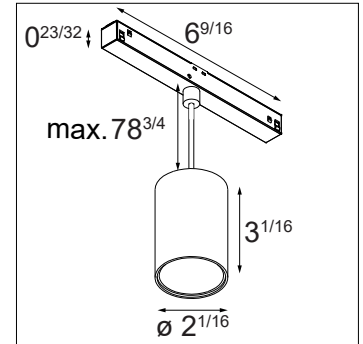
Suspended Tube Specifications

- For use with Pista 48V track systems
- Body Material: Cast Aluminum
- Finish: Powder coat
- Cable diameter: 0.14"
- Cable color: black
- Cable length can be shortened during installation
- Fixtures attach magnetically to the track and can be moved by sliding.
- Force to remove from track: 13.5lbs

Tube Finish Options



White Structure (WHS) Powder Coat (Matte) Black Structure (BLS) Powder Coat (Matte)



Smart Tube Track Suspended

Pista Track Compatibility

	SURFACE / SUSPENDED TRACK	SUSPENDED UP / DOWN TRACK		RECESSED FLANGED TRACK	RECESSED TRIMLESS TRACK
		UP PORTION	DOWN PORTION		
Pista Suspended Tube	M		M	M	M

See separate track datasheets for track information and accessories

Tube Ordering Information

SMARU-T48-SP-1.9-1X

DY

DI

Smart Tube Track 48V Suspended 1.9, 1 lamp

DY Dry
Location

0101 0-10V
D Dali

DI Driver
Included

WHS White Structure
BLS Black Structure

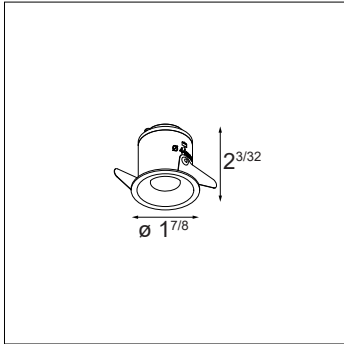
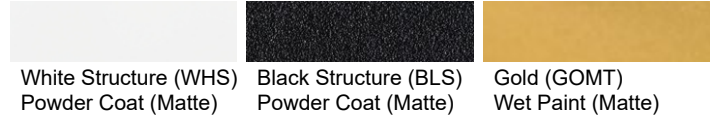
Smart Cake Tube Track 48V Suspended

Luminaire Specifications & Ordering Information

- Aperture: 1.9"
- Trim Material: Cast Aluminum
- Trim Finish: Powder Coat or Wet Paint*
- Must be combined with Pista surface tube

* Wet Paint is only used for the gold finish

Finish Options



Smart Cake Recessed 1.9

Ordering Information

SMART-C-R-1.9-1X				DE			
Smart Cake Recessed 1.9 1x	[blank] Clear Glass ⁽¹⁾	27	2700K	M Medium 28 ⁽¹⁾⁽²⁾	DP Damp Location	DE Driver Excluded	WHS White Structure
	MPG Microprismatic Glass ⁽²⁾	30	3000K				BLS Black Structure
		35	3500K				GOMT Gold Matt

Smart Cake Tube Track 48V Suspended

Performance Specifications (per luminaire)

Weight	0.7lbs
Location	Dry
CRI*	92, R9: 60
Lifetime	L80 B20 @ 50.000 hrs
UGR	see website

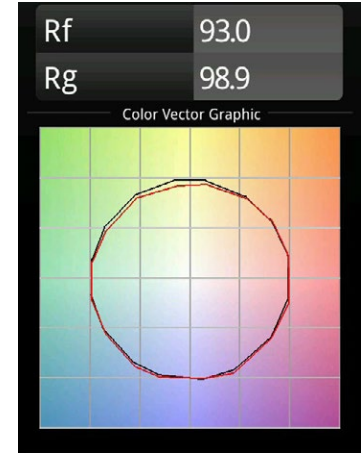
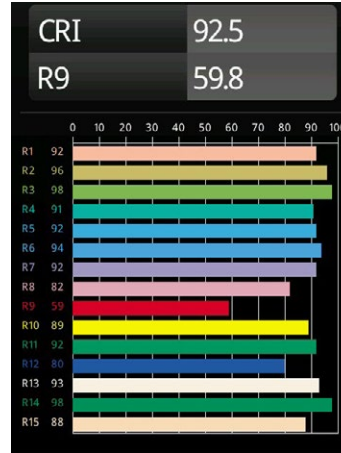
Electrical (typical)

	Dim Type	Input Voltage	Connected Load	Dimming Level***
1X	0-10V	48VDC	6.5W	1%
1X	DALI**	48VDC	6.5W	1%

* CRI & TM-30 Value for 3000K

** Compatible with Casambi Wireless Pista Module. See track datasheets for more details.

*** Consult the factory for dimmer compatibility



For photometric files see website or contact factory

Output Specifications

Performance per head

Reference is 3000K, medium beam, White

() indicates multipliers

Reference Delivered Lumens	CCT	Optics	Finish
205 (3000K, M, 500mA, WHS)	2700K (0.87) 3000K (1.0) 3500K (0.91)	MPG M (1.05) M (1.0)	WHS (1.0) GOMT (0.91) BLS (0.85)

Example Calculation

To determine typical output for 2700K, Microprismatic optic, 350mA in Gold.

$205 \times 0.87 \times 1.05 \times 0.91 = 170$ lumen

Listings and Certifications

- Dry location listed
- cUL & UL listed

Warranty

Visit <https://www.supermodular.com/warranty>