

Smart Cake Tube Track 48V Suspended 1.9

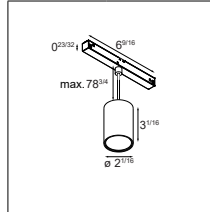
Overview



Smart Tube Track 48V Suspended is equipped with a 48V track adapter that makes our popular design one of many luminaires joining our Pista magnetic track rail. A long and thin matte black suspension cable holds our design at your perfect height and brings light and personality to your space.

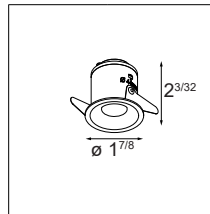
How to Specify (example)

1. Select Tube → Page 2



Example: **SMARU-T48-SP-1.9-1X-DY-0101-DI-WHS**
 Smart Tube Track 48V Suspended, dry rated, 0-10V, white structure

2. Select Lamp Unit → Page 3



Example: **SMART-C-R-1.9-1X-MG-30M-DP-DE-WHS**
 Smart Cake 1.9, microprismatic glass, 3000K, medium, damp rated, white structure

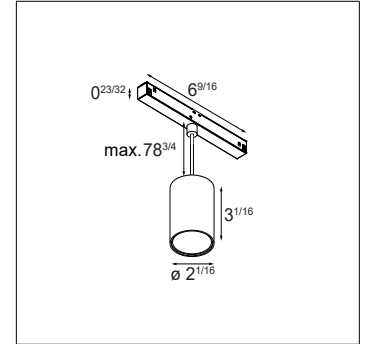
Example order:

Quantity	Item
1	SMARU-T48-SP-1.9-1X-DY-0101-DI-WHS
1	SMART-C-R-1.9-1X-MG-30M-DP-DE-WHS

Smart Cake Tube Track 48V Suspended 1.9

Luminaire Specifications

- For use with Pista 48V track systems
- Tube material: cast aluminum
- Tube finish: powder coat
- Cable finish: TPE
- Cable color: black
- Cable diameter: 0.14"
- Cable length is field adjustable
- Suitable for 1 lamp unit
- Upon insertion, fixtures attach magnetically to the track
- Fixtures can be moved in the track by sliding
- Force to remove from track: 13.5lbs



Smart Tube Track 48V Suspended 1X

Finish Information



Black Structure (BLS)
Powder Coat (Matte)



White Structure (WHS)
Powder Coat (Matte)

Pista Track Compatibility

	Surface Track Suspended Track	Suspended Up / Down Track		Recessed Flanged Track	Recessed Trimless Track
		Up Portion	Down Portion		
Smart Tube Track 48V Suspended 1X	M		M	M	M

See separate track datasheets for track information and accessories

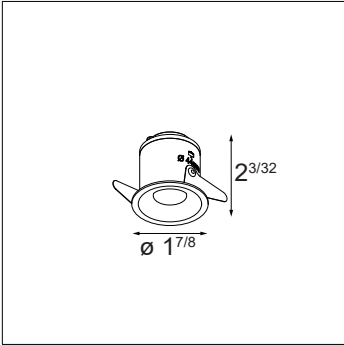
Ordering Information

SMARU-T48-SP-1.9		1X	DY		DI		
SMARU-T48-SP-1.9	Smart Tube Track 48V Suspended	1X	For 1 lamp unit	DY	Dry Location	0101 0-10V D DALI	BLS Black Structure WHS White Structure

Smart Cake Tube Track 48V Suspended 1.9

Lamp Specifications

- Aperture: 1.9"
- Trim material: cast aluminum
- Trim finish: powder coat or wet paint
- Must be combined with Tube

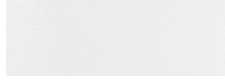


Smart Cake 1.9

Finish Information



Black Structure (BLS)
Powder Coat (Matte)



White Structure (WHS)
Powder Coat (Matte)



Gold (GOMT)
Wet Paint (Matte)

Ordering Information

SMART-C-R-1.9-1X				M		DP		DE			
SMART-C-R-1.9-1X	Smart Cake Recessed 1.9	MG	Microprismatic Glass	27	2700K	M	Medium (28°)	DP	Damp Location	BLS	Black Structure
				30	3000K					WHS	White Structure
				35	3500K					GOMT	Gold Matte

Smart Cake Tube Track 48V Suspended 1.9

Performance Specifications (per luminaire)

	1X
Weight	0.7lbs
Location	dry
CRI*	92, R9: 60
Lifetime	L80 B20 @ 50,000 hrs
UGR	see website

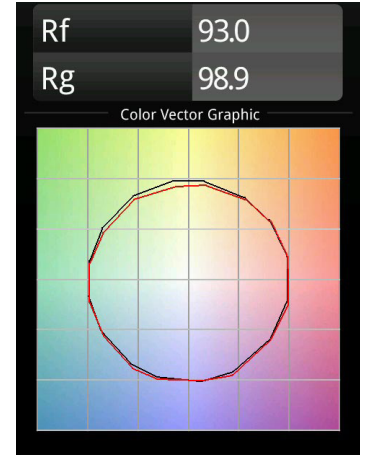
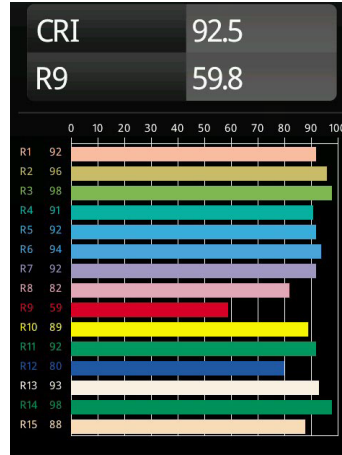
Electrical (typical)

Lamp Units	Dim Type	Input Voltage	Connected Load	Dim Level***
1X FIXED CCT	0-10V	48VDC	6.5W	1%
1X FIXED CCT	DALI**	48VDC	6.5W	1%

* CRI & TM-30 Value for 3000K

** Compatible with Casambi Wireless Pista Module. See track datasheets for more details

*** Consult the factory for dimmer compatibility



For photometric files see website or contact factory.

Output Specifications (per lamp unit)

Reference Delivered Lumens	CCT	Optics	Finish
216 (ref. 3000K, MG M, 500mA, WHS)	2700K (0.87) 3000K (1.00) 3500K (0.92)	MG M (1.00)	BLS (0.90) WHS (1.00) GOMT (0.95)

Multipliers are indicated between brackets: ()

Example calculation, to determine typical output for 2700K, Microprismatic Glass, Medium, Black Structure: $216 \times (0.87) \times (1.00) \times (0.90) = 169$ lumens

Listings and Certifications

- Classified: cULus
- Dry locations



Warranty

- Visit <https://www.supermodular.com/warranty>