

Smart Cake Box Surface 4.5

Overview

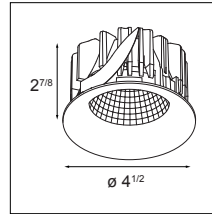


Smart Cake is part of the Smart family. This family's styling is based on our most popular iconic designs. Its gently sloping sides ensure a soft distribution of light.

With an outer diameter of 4.5" and an aperture of 4.5 inches (fixed version) or 3.3 inches (adjustable version), the Smart Cake 4.5 is compact yet powerful. Combined with a surface box that is offered in 1X and 2X and multiple finishes, the beautiful combinations are yours to discover.

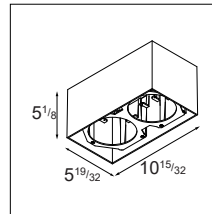
How to Specify (Example)

1. Select Lamp Module → Page 2



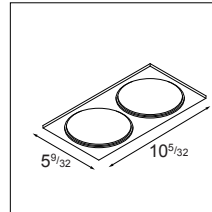
Example: **SMART-C-R-4.5-1X-30F-DP-DE-WHS**
(Smart Cake Recessed 4.5 1x, 3000K, flood, damp rated, driver excluded, white structure)

2. Select Box/Driver → Page 3



Example: **SMARX-S-4.5-2X-010P-DI-500-WHS**
(Smart Box Surface 4.5, 2 lamp, 0-10V/ELV, driver included, 500mA, white structure)

3. Select Mask → Page 4



Example: **SMART-M-4.5-2X-WHS**
(Smart Mask 4.5, 2 lamp, white structure)

Example Order:

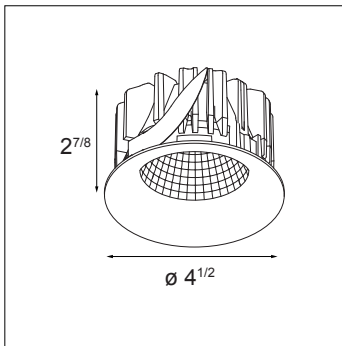
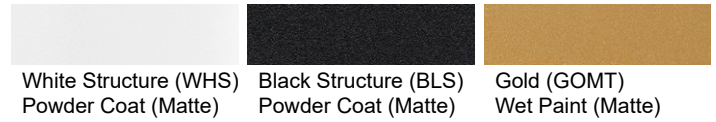
Qty	Item
2	SMART-C-R-4.5-1X-30F-DP-DE-WHS
1	SMARX-S-4.5-2X-010P-DI-500-WHS
1	SMART-M-4.5-2X-WHS

Lamp Specifications & Ordering Information

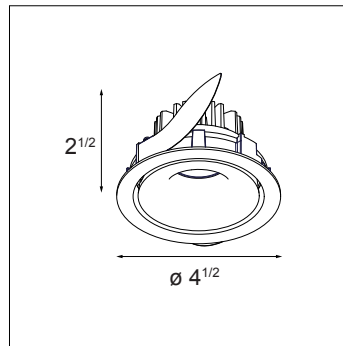
- Aperture: 4.5" (fixed version) / 3.3" (adjustable version)
- Adjustability: 0-25° (adjustable version only)
- Trim Material: Cast Aluminum
- Trim Finish: Powder Coat or Wet Paint*
- Must be combined with box & mask

* Wet Paint is only used for the gold finish

Lamp Module Finish Options



Smart Cake Recessed 4.5



Smart Cake Recessed Adjustable 4.5

Ordering Information

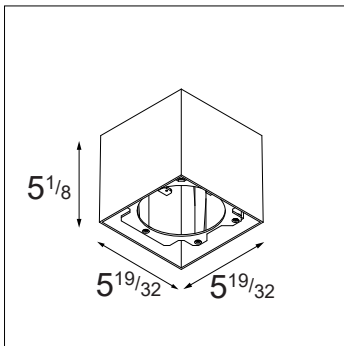
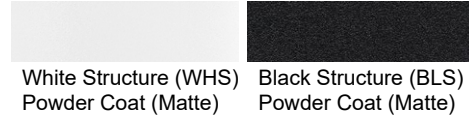
SMART-C-R-4.5-1X				DP		DE	
Smart Cake Recessed 4.5 1x	[blank] No Glass ⁽¹⁾	27 2700K	S Spot 13° ⁽¹⁾	DP Damp Location	DE Driver Excluded	WHS White Structure	
	MPG Microprismatic Glass ⁽²⁾	30 3000K	M Medium 25° ^{(1)/(2)}			BLS Black Structure	
	FRG Frosted Glass ⁽³⁾	35 3500K	F Flood 39° ⁽¹⁾ /41° ⁽²⁾ /37° ⁽³⁾			GOMT Gold Matt	

SMART-C-R-A-4.5-1X				DP		DE	
Smart Cake Recessed Adjustable 4.5 1x	27 2700K	S Spot 13°	DP Damp Location	DE Driver Excluded	WHS White Structure		
	30 3000K	M Medium 25°			BLS Black Structure		
	35 3500K	F Flood 39°			GOMT Gold Matt		

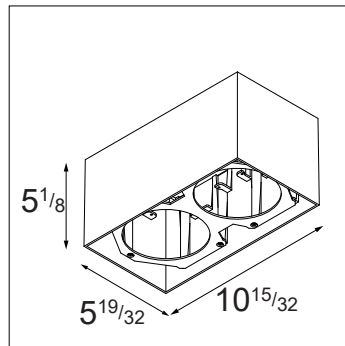
Box & Driver Specifications

- Box Material: Cast Aluminum
- Driver: Included in box
- Box completely covers 4x4 octagonal junction boxes (no covers needed)
- Weight: 2.8lbs (1X version) / 4.5lbs (2X version)

Box Finish Options



Smart Box Surface 4.5 1X



Smart Box Surface 4.5 2X

Driver Specifications

DRIVER	OUTPUT CURRENT	INPUT VOLTAGE	DIMMING TYPE	TYPICAL DIMMING LEVEL**	CONNECTED LOAD (TYPICAL)			
					1X FIXED	2X FIXED	1X ADJ	2X ADJ
010P-500	500mA	120-277VAC, 120VAC*	0-10V, ELV & Triac	1%	19.1 W	38.2 W	10.5 W	21.5 W

* Dimming via ELV and Triac only compatible at 120VAC

** Consult the factory for dimmer compatibility

Box Ordering Information

- **010P** - **DI** - **500** -

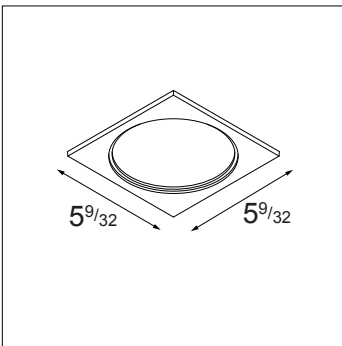
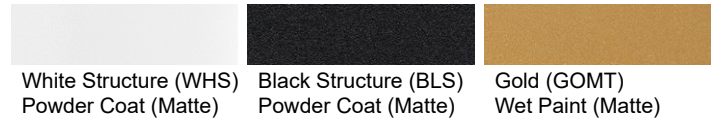
Model	Description	010P	DI	500	WHS	BLS
SMARX-S-4.5-1X	Smart Box Surface 4.5, 1 lamp	0-10V/ELV/Triac	Driver Included	500mA	White Structure	Black Structure
SMARX-S-4.5-2X	Smart Box Surface 4.5, 2 lamp					
SMARX-S-A-4.5-1X	Smart Box Surface Adjustable 4.5, 1 lamp					
SMARX-S-A-4.5-2X	Smart Box Surface Adjustable 4.5, 2 lamp					

Mask Specifications

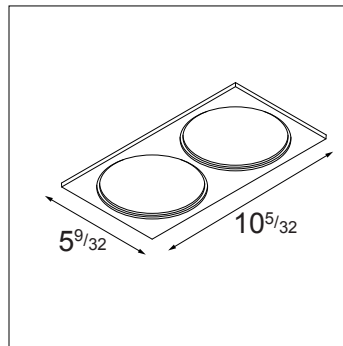
- Mask Material: Cast Aluminum
- Mask Finish: Powder Coat or Wet Paint*
- Mask Thickness: 0.2"
- Weight: 0.2lbs (1X version) / 0.3lbs (2X version)

* Wet Paint is only used for the gold finish

Mask Finish Options



Single Mask



Double Mask

Mask Ordering Information

SMART-M-4.5 -

1X Single
Luminaire

2X Double
Luminaire

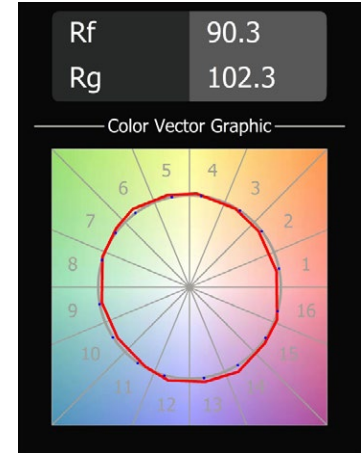
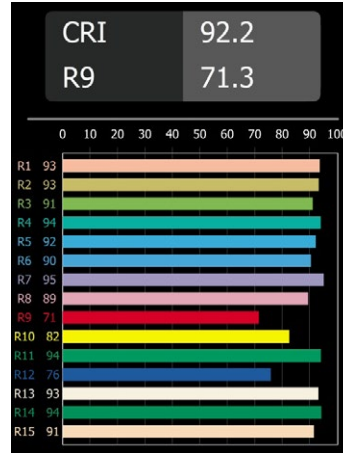
WHS White Structure

BLS Black Structure

GOMT Gold

Performance Specifications (per lamp)

	Fixed	Adjustable
Weight	1.3lbs	1.0lbs
Adjustability	-	0-25°
CRI*	92, R9: 71	
Location	Damp	
Lifetime	L80 B20 @ 50.000 hrs	
UGR	see website	
Electrical (typical)		
	Fixed	Adjustable
	500mA	500mA
Vf	31.3V	14.4V
Power	15.7W	7.2W



*CRI & TM-30 Value for 3000K, Fixed

For photometric files see website or contact factory

Output Specifications

Reference: 3000K, 40deg (FL), 500mA, White
Values below are typical
() indicates multipliers

Fixed Lamp

Reference Delivered Lumens	CCT	Optics	Current	Finish
1590	2700K (0.95) 3000K (1.0) 3500K (1.07)	S (1.05) M (1.02) F (1.0) MPG M (1.03) MPG F (1.0) FRG F (0.92)	500mA (1.0)	WHS (1.0) GOMT (0.93) BLS (0.89)

Adjustable Lamp

Reference Delivered Lumens	CCT	Optics	Current	Finish
618	2700K (0.96) 3000K (1.0) 3500K (1.04)	S (1.13) M (1.06) F (1.0)	500mA (1.0)	WHS (1.0) GOMT (0.91) BLS (0.75)

Example Calculation

To determine typical output for 2700K, Medium optic, 500mA in Gold:
618 x 0.96 x 1.06 x 1.0 x 0.91 = 572lumen

Listings and Certifications

- Damp location listed
- cUL & UL listed

Warranty

Visit <https://www.supermodular.com/warranty>