

Semih Surface Adjustable 2.4

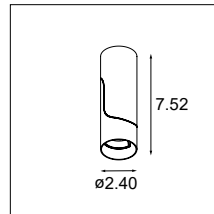
Overview



Semih Surface is made up of two equal, yet opposite parts: one is mounted to the ceiling and the other holds the lamp. Point it at specific objects or areas and add style to any interior. Semih is exceptionally easy to install, thanks to strong mounting magnets.

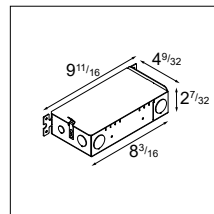
How to Specify (Example)

1. Select Lamp / Body → Page 2



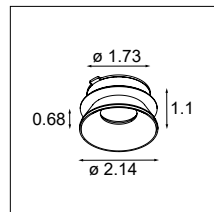
Example: **SEMIH-S-A-2.4-1X-30-DP-DE-WHS**
(Semih Surface Adjustable 2.4 1x, 3000K, damp rated, driver excluded, white structure)

2. Select Remote Driver → Page 2 & 3



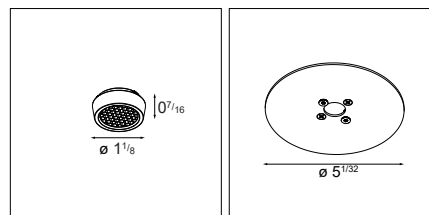
Example: **IC-RD-DP-0101-EL-500-10**
(IC rated, damp rated, 0-10V 1%, 500mA, 10W)

3. Select Optic → Page 4



Example: **O-ML-1.0-F-WHS**
(Microprismatic Lens, Ø1.0, flood, white structure)

4. Select Accessories → Page 5



Example: **O-HC-1.0-BLMT**
(Honeycomb Ø1.0, black)
BP-C-44-SMART-ST-1.9/SEMIH-2.4-WHS
(Backplate, for 4x4, white structure)

Example Order:

Qty.	Item
1	SEMIH-S-A-2.4-1X-30-DP-DE-WHS
1	IC-RD-DP-0101-EL-500-10
1	O-ML-1.0-F-WHS
1	O-HC-1.0-BLMT
1	BP-C-44-SMART-ST-1.9/SEMIH-2.4-WHS

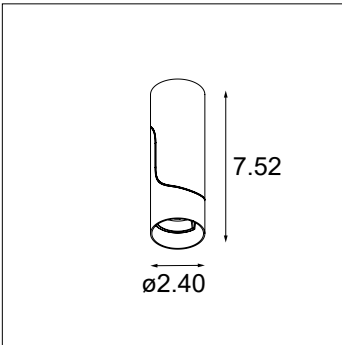
Fixture Specifications & Ordering Information

- Adjustability: 355° x 70°
- Body Material: Cast Aluminum
- Finish: Powder Coat
- Driver: Remote
- Must be used with a lens or reflector (ordered separately)
- Included: Plaster finish plate for 4x4 octagonal junction box*

Finish Options



* Junction box not required for installation. See installation instructions

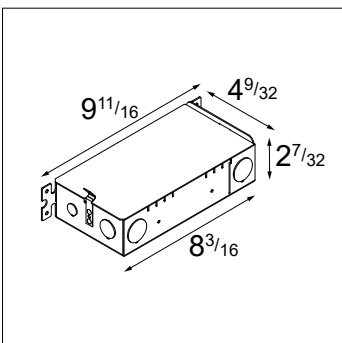


Ordering Information

SEMIH-S-A-2.4-1X	-	DP	-	DE	-	
Semih Surface Adjustable 2.4 1x	27	2700K	DP Damp Location	DE Driver Excluded	WHS White Structure	
	30	3000K			BLS Black Structure	
	35	3500K				
	WD	Warm Dim 3000K - 1800K				

Remote Driver Specifications

- Remote driver housing material: Sheet metal (galvanized steel)
- Remote driver housing can be bottom mounted, side mounted or mounted to t-bar grid.



Remote Driver Information → see next page

Remote Driver Specifications

Remote Driver Information & Ordering

SELECTION ↓	ORDERING CODE	DIMMING TYPE	LAMP MODULE COMPATIBILITY	OUTPUT CURRENT	INPUT VOLTAGE	TYPICAL DIMMING LEVEL**	UL LOCATION					FIXTURE QUANTITY (SERIAL CONNECTION)		
							RECESSED TYPE IC	RECESSED TYPE NON-IC	SURFACE	CABINET	UNDER CABINET	1X	2X	3X
	NON-IC-RD-DP-010P-350-8	0-10V, ELV & Triac	Fixed CCT (2700K, 3000K, 3500K)	350mA	120-277VAC, 120VAC*	1%	-	X	X	X	X	X	-	-
	NON-IC-RD-DP-010P-350-14	0-10V, ELV & Triac	Fixed CCT (2700K, 3000K, 3500K)	350mA	120-277VAC, 120VAC*	1%	-	X	X	X	X	-	X	-
	NON-IC-RD-DP-010P-500-21	0-10V, ELV & Triac	Fixed CCT (2700K, 3000K, 3500K)	500mA	120-277VAC, 120VAC*	1%	-	X	X	X	X	-	X	-
	IC-RD-DP-TE1-500-12	ELV & Triac	Fixed CCT (2700K, 3000K, 3500K)	500mA	120VAC	1%	X	-	X	X	X	X	-	-
	IC-RD-DP-TE1-500-20	ELV & Triac	Fixed CCT (2700K, 3000K, 3500K)	500mA	120VAC	1%	X	-	X	X	X	-	X	-
	IC-RD-DP-ECO-LU-350-7-17	Lutron Ecosystem	Fixed CCT (2700K, 3000K, 3500K)	350mA	120-277VAC	1%	X	-	X	X	X	-	X	-
	NON-IC-RD-DP-2W-LU-350-2-14	Lutron 2-Wire (Triac)	Fixed CCT (2700K, 3000K, 3500K)	350mA	120VAC	1%	-	X	X	X	X	X	-	-
	NON-IC-RD-DP-2W-LU-350-3-26	Lutron 2-Wire (Triac)	Fixed CCT (2700K, 3000K, 3500K)	350mA	120VAC	1%	-	X	X	X	X	-	X	-
	NON-IC-RD-DP-2W-LU-350-6-27	Lutron 2-Wire (Triac)	Fixed CCT (2700K, 3000K, 3500K)	350mA	120VAC	1%	-	X	X	X	X	-	-	X
	NON-IC-RD-DP-2W-LU-500-2-14	Lutron 2-Wire (Triac)	Fixed CCT (2700K, 3000K, 3500K)	500mA	120VAC	1%	-	X	X	X	X	X	-	-
	NON-IC-RD-DP-2W-LU-500-3-26	Lutron 2-Wire (Triac)	Fixed CCT (2700K, 3000K, 3500K)	500mA	120VAC	1%	-	X	X	X	X	X	X	-
	NON-IC-RD-DP-2W-LU-500-6-27	Lutron 2-Wire (Triac)	Fixed CCT (2700K, 3000K, 3500K)	500mA	120VAC	1%	-	X	X	X	X	-	X	-
	IC-RD-DP-0101-EL-350-10	0-10V	Fixed CCT (2700K, 3000K, 3500K)	350mA	120-277VAC	1%	X	-	X	X	X	X	-	-
	IC-RD-DP-0101-EL-350-20	0-10V	Fixed CCT (2700K, 3000K, 3500K)	350mA	120-277VAC	1%	X	-	X	X	X	X	X	X
	IC-RD-DP-0101-EL-350-30	0-10V	Fixed CCT (2700K, 3000K, 3500K)	350mA	120-277VAC	1%	X	-	X	X	X	X	X	X
	IC-RD-DP-0101-EL-500-10	0-10V	Fixed CCT (2700K, 3000K, 3500K)	500mA	120-277VAC	1%	X	-	X	X	X	X	-	-
	IC-RD-DP-0101-EL-500-20	0-10V	Fixed CCT (2700K, 3000K, 3500K)	500mA	120-277VAC	1%	X	-	X	X	X	X	X	-
	IC-RD-DP-0101-EL-500-30	0-10V	Fixed CCT (2700K, 3000K, 3500K)	500mA	120-277VAC	1%	X	-	X	X	X	X	X	-
	IC-RD-DP-0101-EL-700-30	0-10V	Fixed CCT (2700K, 3000K, 3500K)	700mA	120-277VAC	1%	X	-	X	X	X	X	X	-
	IC-RD-DP-D1-EL-350-10	DALI	Fixed CCT (2700K, 3000K, 3500K)	350mA	120-277VAC	1%	X	-	X	X	X	X	-	-
	IC-RD-DP-D1-EL-350-20	DALI	Fixed CCT (2700K, 3000K, 3500K)	350mA	120-277VAC	1%	X	-	X	X	X	X	X	X
	IC-RD-DP-D1-EL-350-30	DALI	Fixed CCT (2700K, 3000K, 3500K)	350mA	120-277VAC	1%	X	-	X	X	X	X	X	X
	IC-RD-DP-D1-EL-500-10	DALI	Fixed CCT (2700K, 3000K, 3500K)	500mA	120-277VAC	1%	X	-	X	X	X	X	-	-
	IC-RD-DP-D1-EL-500-20	DALI	Fixed CCT (2700K, 3000K, 3500K)	500mA	120-277VAC	1%	X	-	X	X	X	X	X	-
	IC-RD-DP-D1-EL-500-30	DALI	Fixed CCT (2700K, 3000K, 3500K)	500mA	120-277VAC	1%	X	-	X	X	X	X	X	-
	IC-RD-DP-D1-EL-700-30	DALI	Fixed CCT (2700K, 3000K, 3500K)	700mA	120-277VAC	1%	X	-	X	X	X	X	X	-
	NON-IC-RD-DP-010P-350-14	0-10V, ELV & Triac	Warm Dim 3000K-1800K	350mA	120-277VAC, 120VAC*	1%	-	X	X	X	X	X	-	-
	NON-IC-RD-DP-2W-LU-350-3-26	Lutron 2-Wire (Triac)	Warm Dim 3000K-1800K	350mA	120-277VAC	1%	-	X	X	X	X	X	-	-
	NON-IC-RD-DP-2W-LU-350-6-27	Lutron 2-Wire (Triac)	Warm Dim 3000K-1800K	350mA	120-277VAC	1%	-	X	X	X	X	X	-	-
	IC-RD-DP-0101-EL-350-20	0-10V	Warm Dim 3000K-1800K	350mA	120VAC	1%	X	-	X	X	X	X	-	-
	IC-RD-DP-0101-EL-350-30	0-10V	Warm Dim 3000K-1800K	350mA	120-277VAC	1%	X	-	X	X	X	X	-	-
	IC-RD-DP-D1-EL-350-20	DALI	Warm Dim 3000K-1800K	350mA	120-277VAC	1%	X	-	X	X	X	X	-	-
	IC-RD-DP-D1-EL-350-30	DALI	Warm Dim 3000K-1800K	350mA	120VAC	1%	X	-	X	X	X	X	-	-

* Dimming via ELV and Triac only compatible at 120VAC

** Consult the factory for dimmer compatibility

Optics Specifications

- Optic selection required for use with Semih 2.4
- Optics attach magnetically and can be field installed
- Champagne and gold reflectors will warm the CCT. Contact the factory for more details.

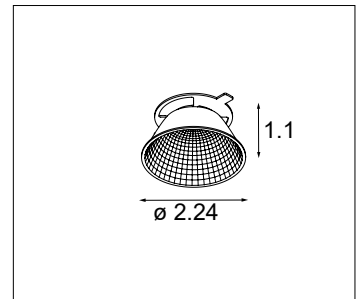
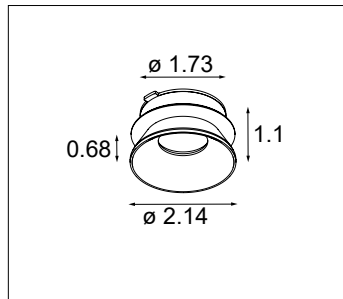
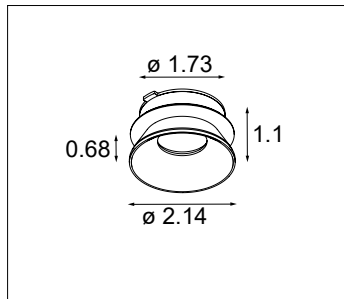
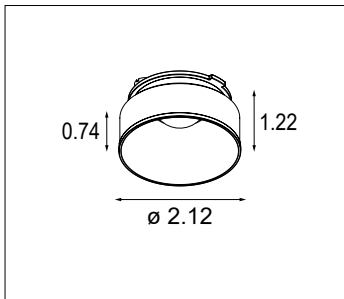
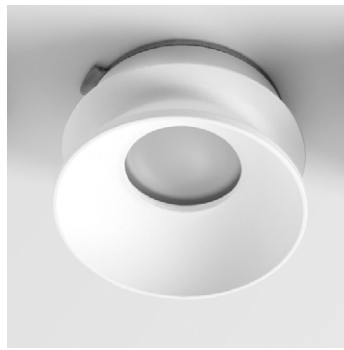


Figure 1 (Spherical Lens)

Figure 2 (Frosted Lens)

Figure 3 (Microprismatic Lens)

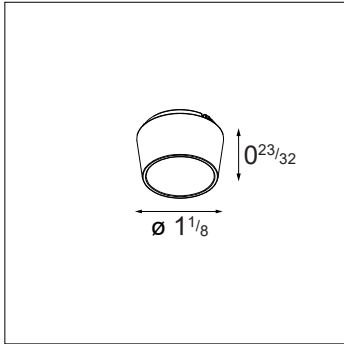
Figure 4 (Reflectors)

Optic Information & Ordering

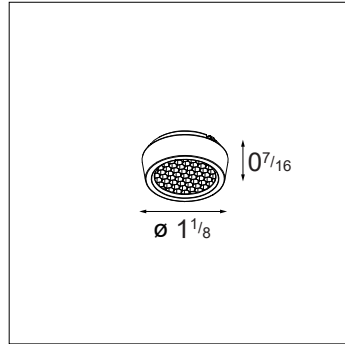
SELECTION ↓	ORDERING CODE	COMPATIBLE WITH WARM DIM 3000K-1800K	COMPATIBLE WITH FIXED CCT (2700K, 3000K, 3500K)	OPTIC TYPE	BEAM ANGLE	TRIM FINISH	OPTIC FINISH	WEIGHT	FIGURE #	OPTICAL ACCESSORY COMPATIBILITY			
										Ø1.0 CROSSBLADE	Ø1.0 HONEYCOMB	Ø1.0 SNOOT	Ø2.2 SNOOT
	O-FL-1.0-WF-BLMT	-	X	Frosted Lens	63°	Black	-	0.13lbs	2	X	X	X	X
	O-FL-1.0-WF-WHS	-	X	Frosted Lens	63°	Black	-	0.13lbs	2	X	X	X	X
	O-L-1.0-M	-	X	Spherical Lens	28°	Black	-	0.17lbs	1	-	-	-	X
	O-MR-2.2-F-ALA	-	X	Metal Reflector	40°	-	Aluminum	0.04lbs	4	-	-	-	-
	O-MR-2.2-F-CHA	-	X	Metal Reflector	40°	-	Champagne	0.04lbs	4	-	-	-	-
	O-MR-2.2-F-GOA	-	X	Metal Reflector	40°	-	Gold	0.04lbs	4	-	-	-	-
	O-MR-2.2-M-ALA	-	X	Metal Reflector	25°	-	Aluminum	0.04lbs	4	-	-	-	-
	O-MR-2.2-S-ALA	-	X	Metal Reflector	15°	-	Aluminum	0.04lbs	4	-	-	-	-
	O-MR-2.2-WD-F-ALA	X	-	Metal Reflector	40°	-	Aluminum	0.04lbs	4	-	-	-	-
	O-MR-2.2-WD-F-CHA	X	-	Metal Reflector	40°	-	Champagne	0.04lbs	4	-	-	-	-
	O-MR-2.2-WD-F-GOA	X	-	Metal Reflector	40°	-	Gold	0.04lbs	4	-	-	-	-
	O-MR-2.2-WD-M-ALA	X	-	Metal Reflector	25°	-	Aluminum	0.04lbs	4	-	-	-	-
	O-ML-1.0-F-BLMT	-	X	Microprismatic Lens	40°	Black	-	0.13lbs	3	X	X	X	X
	O-ML-1.0-F-WHS	-	X	Microprismatic Lens	40°	White	-	0.13lbs	3	X	X	X	X
	O-ML-1.0-M-BLMT	-	X	Microprismatic Lens	25°	Black	-	0.13lbs	3	X	X	X	X
	O-ML-1.0-M-WHS	-	X	Microprismatic Lens	25°	White	-	0.13lbs	3	X	X	X	X

Optical Accessories Specifications

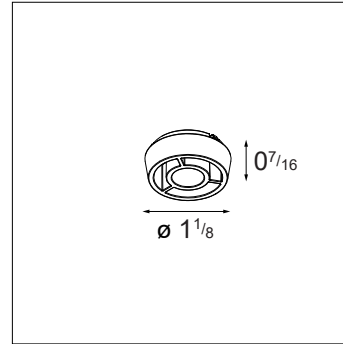
- Accessories are optional
- See optic matrix for compatibility
- Accessories can installed / changed in the field
- Consult website or factory for photometric performance
- Ø1.0 Snoot, Hex louver and Cross blade louver can only be used in combination with the Frosted or Microprismatic lens
- Ø2.2 Snoot can only be used in combination with the Spherical, Frosted or Microprismatic lens



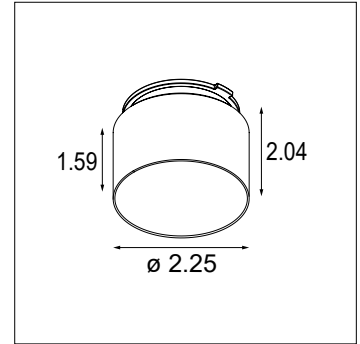
Ø1.0 Snoot



Ø1.0 Hex Louver



Ø1.0 Cross Blade Louver



Ø2.2 Snoot

Optical Accessory Ordering Information

O	-	-	-	BLMT
O	Optical	CB Crossblade	1.0 1.0" Dia.	BLMT Black
		HC Honeycomb	2.2 2.2" Dia.*	
		SN Snoot		
			* Only available in Snoot	

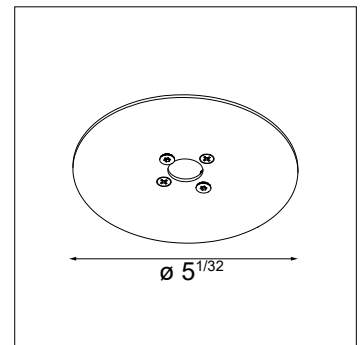
Mounting Accessories Specifications

- Accessories are optional (plaster plate comes standard*)
- Backplate / Cover Plate provides a cUL listed option for covering a 4"x4" octagonal electrical box or 3"x2" electrical box
- Cover Plate Material: Stainless steel
- Cover Plate Finish: Powder Coat
- Plate Thickness: 0.08"
- Weight: 0.7lbs

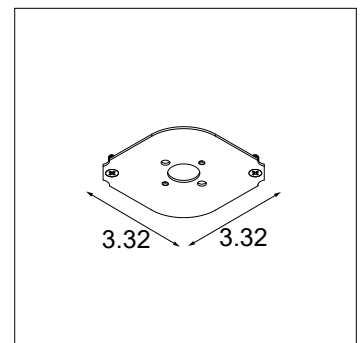
* An additional plaster plate can be ordered to be delivered in advance

Mounting Accessory Ordering Information

BP-C	-	-	SMART-ST-1.9/SEMIH-2.4	-
Backplate Cover	44 4"x4" Junction Box			WHS White Structure
	32 3"x2" Junction Box			BLS Black Structure
PP	-	44	-	SMART-ST-1.9-SEMIH-2.4
Plaster Finish Plate for 4x4 octagonal junction box				



Optional Backplate / Cover Plate

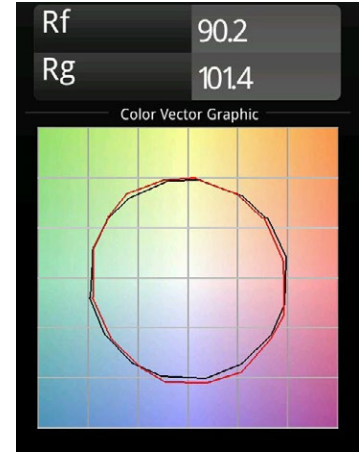
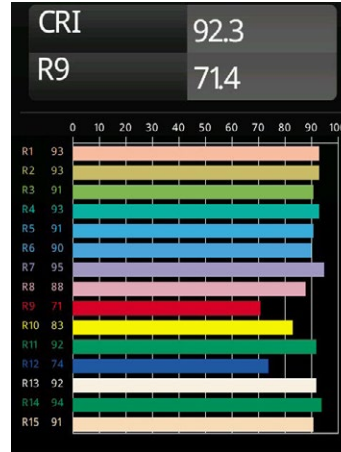


Plaster Finish Plate for 4x4 octagonal junction box

Semih Surface Adjustable 2.4

Performance Specifications (per luminaire)

	Fixed CCT	Warm Dim
Location		Damp
CRI*	92, R9: 71	90
Lifetime	L80 B20 @ 50.000 hrs	50.000 hrs
UGR	see website	
Electrical (typical)**		
	Fixed CCT	Warm Dim
	350mA 500mA 700mA	350mA
Vf	16.4V 16.9V 17.7V	33.8V
Power**	5.7W 8.5W 12.4W	11.8W



* CRI & TM-30 Value for 3000K

** Power figures exclude remote driver

For photometric files see website or contact factory

Output Specifications

() indicates multipliers

Reference Delivered Lumens	CCT	Optics	Current
620lm (3000K, O-MR-2.2-F-ALA, 500mA)	2700K (0.98) 3000K (1.0) 3500K (1.06)	O-FL-1.0-WF-BLMT (0.83) O-FL-1.0-WF-WHS (0.95) O-L-1.0-M (0.98) O-MR-2.2-F-ALA (1.0) O-MR-2.2-F-CHA (0.89) O-MR-2.2-F-GOA (0.83) O-MR-2.2-M-ALA (1.0) O-MR-2.2-S-ALA (1.0) O-ML-1.0-F-BLMT (1.08) O-ML-1.0-F-WHS (1.16) O-ML-1.0-M-BLMT (1.03) O-ML-1.0-M-WHS (1.05)	350mA (0.74) 500mA (1.0) 700mA (1.3)
916lm (3000K -1800K, O-MR-2.2-WD-F-ALA, 350mA)	3000K – 1800K (1.0)	O-MR-2.2-WD-F-ALA (1.0) O-MR-2.2-WD-F-CHA (0.82) O-MR-2.2-WD-F-GOA (0.76) O-MR-2.2-WD-M-ALA (1.0)	350mA (1.0)

Example Calculation

To determine typical output for 3500K, O-ML-1.0-F-WHS, 700mA:

$620 \times 1.06 \times 1.16 \times 1.3 = 991$ lumen

Listings and Certifications

- Damp location listed
- cUL & UL listed

Warranty

Visit <https://www.supermodular.com/warranty>