

Minude Suspended 1.8

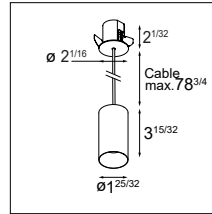
Overview



Adding a touch of minimalistic elegance is easy when you have Minude Suspended. A small cylinder, a deep-recessed light source, a long list of anodized colors. Create intimate zones in your space with one or many Minudes Suspended hanging above a favorite corner or kitchen island.

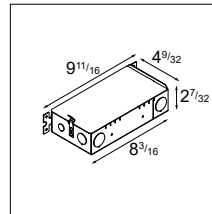
How to Specify (Example)

1. Select Lamp / Body → Page 2



Example: **MINUD-SP-1.8-1X-30M-DP-DE-SBBA**
(Minude Suspended 1.8 1x, 3000K, lens medium, damp, driver excluded, silver bronze brushed anodised)

2. Select Remote Driver → Page 3



Example: **IC-RD-DP-0101-EL-500-10**
(IC rated, Damp rated, 0-10V, 500mA, 10W)

Example Order:

| Qty. | Item |
|------|--------------------------------|
| 1 | MINUD-SP-1.8-1X-30M-DP-DE-SBBA |
| 1 | IC-RD-DP-0101-EL-500-10 |

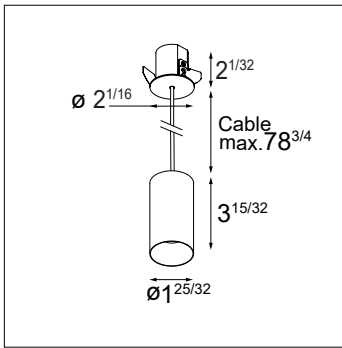
Minute Suspended 1.8

Fixture Specifications & Ordering Information

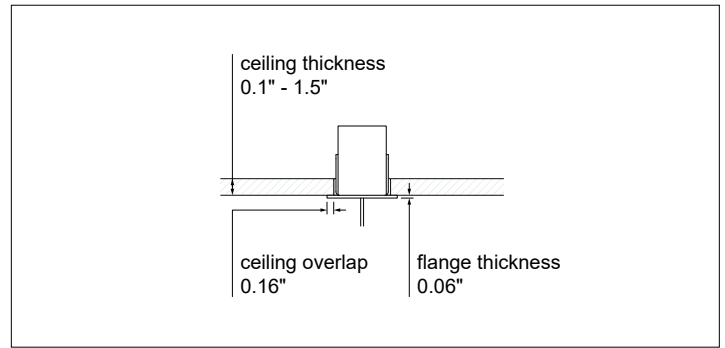
- Aperture: 1.7"
- Ceiling Cutout: Ø1-3/4"
- Body Material: Machined aluminum
- Finish: Powder coat or anodized
- Cable is always black
- Cable length can be shortened during installation
- Canopy finish is black unless white is selected (then it is white)
- Driver: Remote (ordered separately)
- Included: Plaster finish plate for 4x4 octagonal junction box*

* Junction box not required for installation. See installation instructions

Finish Information



Minute 1.8 Suspended

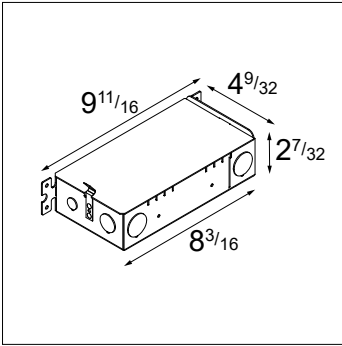


Ordering Information

| MINUD-SP-1.8-1X | | M | | DP | | DE | | | | |
|-------------------------|----|-------|---|-------------------|----|---------------|----|-----------------|------|------------------------|
| Minute Suspended 1.8 1x | 27 | 2700K | M | Lens Medium (30°) | DP | Damp Location | DE | Driver Excluded | WHS | White Structure |
| | 30 | 3000K | | | | | | | BLS | Black Structure |
| | 35 | 3500K | | | | | | | BLBA | Anodized Black |
| | | | | | | | | | BRBA | Anodized Bronze |
| | | | | | | | | | CHBA | Anodized Champagne |
| | | | | | | | | | SBBA | Anodized Silver Bronze |

Remote Driver Specifications

- Remote Driver housing material: Sheet metal (galvanized steel)
- Remote driver housing can be bottom mounted, side mounted or mounted to t-bar grid.



Remote Driver Box

Remote Driver Information & Ordering

| SELECTION ↓ | ORDERING CODE | DIMMING TYPE | LAMP MODULE COMPATIBILITY | OUTPUT CURRENT | INPUT VOLTAGE | TYPICAL DIMMING LEVEL** | UL LOCATION | | | | | FIXTURE QUANTITY (SERIAL CONNECTION) | | |
|----------------|--------------------------|--------------------|---------------------------------|----------------|---------------------|-------------------------|------------------|----------------------|---------|---------|---------------|--------------------------------------|----|----|
| | | | | | | | RECESPED TYPE IC | RECESPED TYPE NON-IC | SURFACE | CABINET | UNDER CABINET | 1X | 2X | 3X |
| | NON-IC-RD-DP-010P-350-8 | 0-10V, ELV & Triac | Fixed CCT (2700K, 3000K, 3500K) | 350mA | 120-277VAC, 120VAC* | 1% | - | X | X | X | X | X | - | - |
| | NON-IC-RD-DP-010P-350-14 | 0-10V, ELV & Triac | Fixed CCT (2700K, 3000K, 3500K) | 350mA | 120-277VAC, 120VAC* | 1% | - | X | X | X | X | - | X | - |
| | NON-IC-RD-DP-010P-500-21 | 0-10V, ELV & Triac | Fixed CCT (2700K, 3000K, 3500K) | 500mA | 120-277VAC, 120VAC* | 1% | - | X | X | X | X | - | X | - |
| | IC-RD-DP-TE1-500-12 | ELV & Triac | Fixed CCT (2700K, 3000K, 3500K) | 500mA | 120VAC | 1% | X | - | X | X | X | X | - | - |
| | IC-RD-DP-TE1-500-20 | ELV & Triac | Fixed CCT (2700K, 3000K, 3500K) | 500mA | 120VAC | 1% | X | - | X | X | X | - | X | - |
| | IC-RD-DP-0101-EL-350-30 | 0-10V | Fixed CCT (2700K, 3000K, 3500K) | 350mA | 120-277VAC | 1% | X | - | X | X | X | X | X | X |
| | IC-RD-DP-0101-EL-500-30 | 0-10V | Fixed CCT (2700K, 3000K, 3500K) | 500mA | 120-277VAC | 1% | X | - | X | X | X | X | X | - |

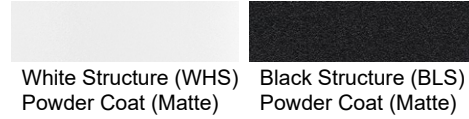
* Dimming via ELV and Triac only compatible at 120VAC

** Consult the factory for dimmer compatibility

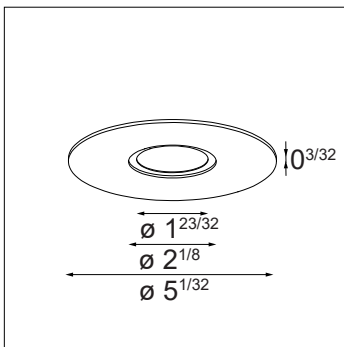
Mounting Accessories Specifications

- Accessories are optional (plaster plate comes standard*)
- Backplate / Cover Plate provides a cUL listed option for covering a 4x4 octagonal or 3x2 electrical box
- Cover Plate Material: Stainless steel
- Cover Plate Finish: Powder Coat
- Plate Thickness: 0.08"
- Weight: 0.7lbs

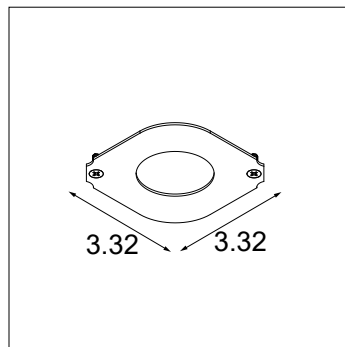
Plate Finish Options



* An additional plaster plate can be ordered to be delivered in advance



Optional Backplate / Cover Plate



Plaster Finish Plate for 4x4 octagonal junction box

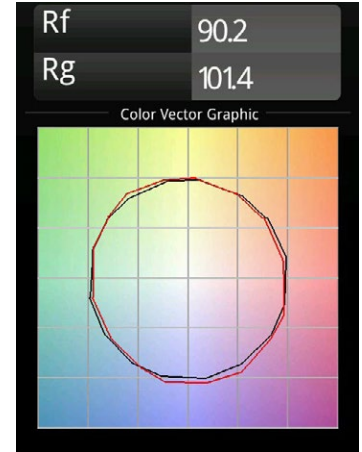
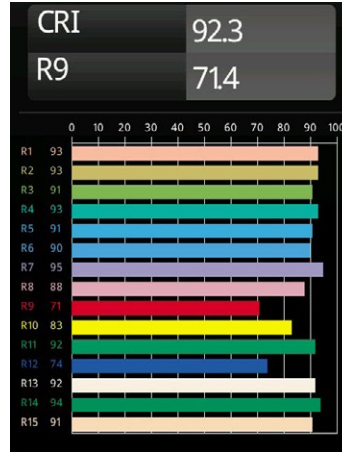
Accessory Ordering Information

| | | | | | | |
|--|---|-----------|-----------------------|---|---|--|
| BP-C | - | 44 | - | SMART-TSS-1.9-MINUDE | - | |
| Backplate Cover | | 44 | 4"x4" Junction Box | Smart Tube Suspended 1.9" and Minute | | WHS White Structure BLS Black Structure |
| PP | - | 44 | - | SMART-TSS-1.9-MINUDE-SS | | |
| Plaster Finish Plate for 4x4 octagonal junction box | | 44 | 4"x4" Junction Box | Smart Tube Suspended 1.9" and Minute Suspended | | |

Performance Specifications (per luminaire)

| | |
|------------------------|----------------------|
| Ceiling Cutout | Ø1.75" |
| Weight | 0.6lbs |
| Location | Damp |
| CRI* | 92, R9: 71 |
| Lifetime | L80 B20 @ 50.000 hrs |
| UGR | see website |
| Electrical (typical)** | |
| | 350mA 500mA |
| Vf | 16.4V 16.9V |
| Power** | 5.7W 8.5W |

For photometric files see website or contact factory



* CRI & TM-30 Value for 3000K

** Power figures exclude remote driver

Output Specifications

Reference: 3000K, medium beam, 500mA, White
() indicates multipliers

| Reference Delivered Lumens | CCT | Optics | Drive Current | Finish |
|----------------------------|---|----------|-----------------------------|---|
| 610lm | 2700K (0.98) 3000K (1.0) 3500K (1.06) | LM (1.0) | 350mA (0.74) 500mA (1.0) | WHS (1.0) BLS (0.97) BLBA (0.98) BRBA (1.0) CHBA (1.01) SBBA (1.0) |

Example Calculation

To determine typical output for 2700K, 350mA, Black:

$$610 \times 0.98 \times 0.74 \times 0.97 = 429 \text{ lumen}$$

Listings and Certifications

- Damp location listed
- cUL & UL listed

Warranty

Visit <https://www.supermodular.com/warranty>