

Minude Suspended 1.8

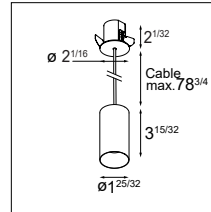
Overview



Adding a touch of minimalistic elegance is easy when you have Minude Suspended. A small cylinder, a deep-recessed light source, a long list of anodized colors. Create intimate zones in your space with one or many Minudes Suspended hanging above a favorite corner or kitchen island.

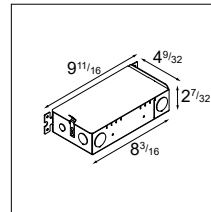
How to Specify (Example)

1. Select Lamp / Body → Page 2



Example: **MINUD-SP-1.8-1X-30M-DP-DE-SBBA**
(Minude Suspended 1.8 1x, 3000K, lens medium, damp, driver excluded, silver bronze brushed anodised)

2. Select Remote Driver → Page 3



Example: **IC-RD-DP-0101-EL-500-10**
(IC rated, Damp rated, 0-10V, 500mA, 10W)

Example Order:

Qty.	Item
1	MINUD-SP-1.8-1X-30M-DP-DE-SBBA
1	IC-RD-DP-0101-EL-500-10

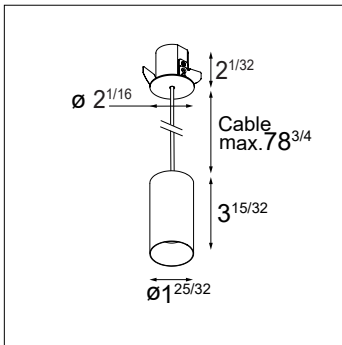
Minute Suspended 1.8

Fixture Specifications & Ordering Information

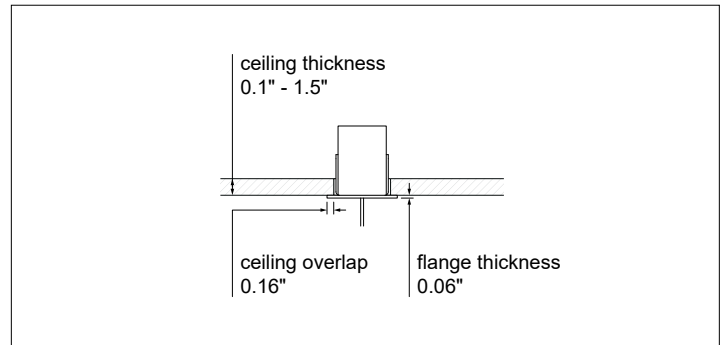
- Aperture: 1.7"
- Ceiling Cutout: Ø1-3/4"
- Body Material: Machined aluminum
- Finish: Powder coat or anodized
- Cable is always black
- Cable length can be shortened during installation
- Canopy finish is black unless white is selected (then it is white)
- Driver: Remote (ordered separately)
- Included: Plaster finish plate for 4x4 octagonal junction box*

* Junction box not required for installation. See installation instructions

Finish Information



Minute 1.8 Suspended

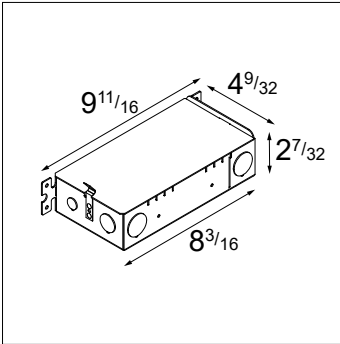


Ordering Information

MINUD-SP-1.8-1X		M		DP		DE				
Minute Suspended 1.8 1x	27	2700K	M	Lens Medium (30°)	DP	Damp Location	DE	Driver Excluded	WHS	White Structure
	30	3000K							BLS	Black Structure
	35	3500K							BLBA	Anodized Black
									BRBA	Anodized Bronze
									CHBA	Anodized Champagne
									SBBA	Anodized Silver Bronze

Remote Driver Specifications

- Remote Driver housing material: Sheet metal (galvanized steel)
- Remote driver housing can be bottom mounted, side mounted or mounted to t-bar grid.



Remote Driver Box

Remote Driver Information & Ordering

SELECTION ↓	ORDERING CODE	DIMMING TYPE	LAMP MODULE COMPATIBILITY	OUTPUT CURRENT	INPUT VOLTAGE	TYPICAL DIMMING LEVEL**	UL LOCATION					FIXTURE QUANTITY (SERIAL CONNECTION)		
							RECESPED TYPE IC	RECESPED TYPE NON-IC	SURFACE	CABINET	UNDER CABINET	1X	2X	3X
	NON-IC-RD-DP-010P-350-8	0-10V, ELV & Triac	Fixed CCT (2700K, 3000K, 3500K)	350mA	120-277VAC, 120VAC*	1%	-	X	X	X	X	X	-	-
	NON-IC-RD-DP-010P-350-14	0-10V, ELV & Triac	Fixed CCT (2700K, 3000K, 3500K)	350mA	120-277VAC, 120VAC*	1%	-	X	X	X	X	-	X	-
	NON-IC-RD-DP-010P-500-21	0-10V, ELV & Triac	Fixed CCT (2700K, 3000K, 3500K)	500mA	120-277VAC, 120VAC*	1%	-	X	X	X	X	-	X	-
	IC-RD-DP-TE1-500-12	ELV & Triac	Fixed CCT (2700K, 3000K, 3500K)	500mA	120VAC	1%	X	-	X	X	X	X	-	-
	IC-RD-DP-TE1-500-20	ELV & Triac	Fixed CCT (2700K, 3000K, 3500K)	500mA	120VAC	1%	X	-	X	X	X	-	X	-
	IC-RD-DP-ECO-LU-350-7-17	Lutron Ecosystem	Fixed CCT (2700K, 3000K, 3500K)	350mA	120-277VAC	1%	X	-	X	X	X	-	X	-
	NON-IC-RD-DP-2W-LU-350-2-14	Lutron 2-Wire (Triac)	Fixed CCT (2700K, 3000K, 3500K)	350mA	120VAC	1%	-	X	X	X	X	X	-	-
	NON-IC-RD-DP-2W-LU-350-3-26	Lutron 2-Wire (Triac)	Fixed CCT (2700K, 3000K, 3500K)	350mA	120VAC	1%	-	X	X	X	X	-	X	-
	NON-IC-RD-DP-2W-LU-350-6-27	Lutron 2-Wire (Triac)	Fixed CCT (2700K, 3000K, 3500K)	350mA	120VAC	1%	-	X	X	X	X	-	-	X
	NON-IC-RD-DP-2W-LU-500-2-14	Lutron 2-Wire (Triac)	Fixed CCT (2700K, 3000K, 3500K)	500mA	120VAC	1%	-	X	X	X	X	X	-	-
	NON-IC-RD-DP-2W-LU-500-3-26	Lutron 2-Wire (Triac)	Fixed CCT (2700K, 3000K, 3500K)	500mA	120VAC	1%	-	X	X	X	X	X	X	-
	NON-IC-RD-DP-2W-LU-500-6-27	Lutron 2-Wire (Triac)	Fixed CCT (2700K, 3000K, 3500K)	500mA	120VAC	1%	-	X	X	X	X	-	X	-
	IC-RD-DP-0101-EL-350-10	0-10V	Fixed CCT (2700K, 3000K, 3500K)	350mA	120-277VAC	1%	X	-	X	X	X	X	-	-
	IC-RD-DP-0101-EL-350-20	0-10V	Fixed CCT (2700K, 3000K, 3500K)	350mA	120-277VAC	1%	X	-	X	X	X	X	X	X
	IC-RD-DP-0101-EL-350-30	0-10V	Fixed CCT (2700K, 3000K, 3500K)	350mA	120-277VAC	1%	X	-	X	X	X	X	X	X
	IC-RD-DP-0101-EL-500-10	0-10V	Fixed CCT (2700K, 3000K, 3500K)	500mA	120-277VAC	1%	X	-	X	X	X	X	-	-
	IC-RD-DP-0101-EL-500-20	0-10V	Fixed CCT (2700K, 3000K, 3500K)	500mA	120-277VAC	1%	X	-	X	X	X	X	X	-
	IC-RD-DP-0101-EL-500-30	0-10V	Fixed CCT (2700K, 3000K, 3500K)	500mA	120-277VAC	1%	X	-	X	X	X	X	X	-
	IC-RD-DP-D1-EL-350-10	DALI	Fixed CCT (2700K, 3000K, 3500K)	350mA	120-277VAC	1%	X	-	X	X	X	X	-	-
	IC-RD-DP-D1-EL-350-20	DALI	Fixed CCT (2700K, 3000K, 3500K)	350mA	120-277VAC	1%	X	-	X	X	X	X	X	X
	IC-RD-DP-D1-EL-350-30	DALI	Fixed CCT (2700K, 3000K, 3500K)	350mA	120-277VAC	1%	X	-	X	X	X	X	X	X
	IC-RD-DP-D1-EL-500-10	DALI	Fixed CCT (2700K, 3000K, 3500K)	500mA	120-277VAC	1%	X	-	X	X	X	X	-	-
	IC-RD-DP-D1-EL-500-20	DALI	Fixed CCT (2700K, 3000K, 3500K)	500mA	120-277VAC	1%	X	-	X	X	X	X	X	-
	IC-RD-DP-D1-EL-500-30	DALI	Fixed CCT (2700K, 3000K, 3500K)	500mA	120-277VAC	1%	X	-	X	X	X	X	X	-

* Dimming via ELV and Triac only compatible at 120VAC
 ** Consult the factory for dimmer compatibility

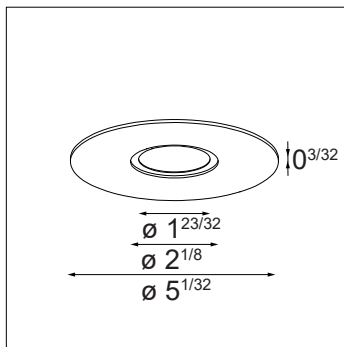
Mounting Accessories Specifications

- Accessories are optional (plaster plate comes standard*)
- Backplate / Cover Plate provides a cUL listed option for covering a 4x4 octagonal or 3x2 electrical box
- Cover Plate Material: Stainless steel
- Cover Plate Finish: Powder Coat
- Plate Thickness: 0.08"
- Weight: 0.7lbs

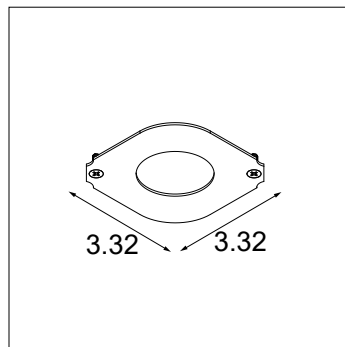
Plate Finish Options



* An additional plaster plate can be ordered to be delivered in advance



Optional Backplate / Cover Plate



Plaster Finish Plate for 4x4 octagonal junction box

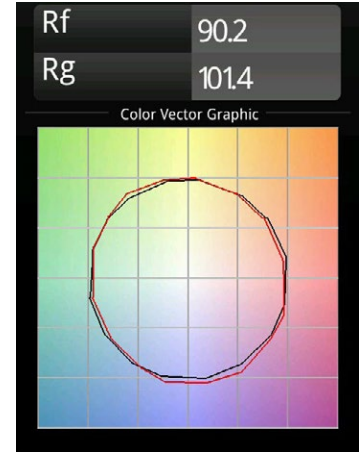
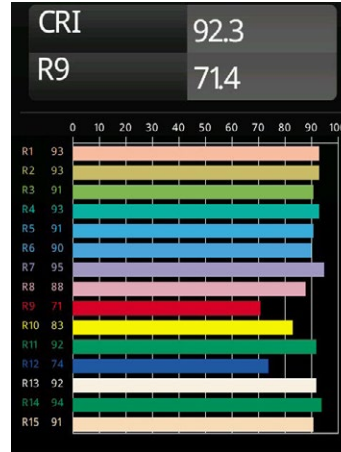
Accessory Ordering Information

BP-C	-	44	-	SMART-TSS-1.9-MINUDE	-	
Backplate Cover		44 4"x4" Junction Box		Smart Tube Suspended 1.9" and Minute		WHS White Structure BLS Black Structure
PP	-	44	-	SMART-TSS-1.9-MINUDE-SS		
Plaster Finish Plate for 4x4 octagonal junction box		44 4"x4" Junction Box		Smart Tube Suspended 1.9" and Minute Suspended		

Performance Specifications (per luminaire)

Ceiling Cutout	Ø1.75"
Weight	0.6lbs
Location	Damp
CRI*	92, R9: 71
Lifetime	L80 B20 @ 50.000 hrs
UGR	see website
Electrical (typical)**	
	350mA 500mA
Vf	16.4V 16.9V
Power**	5.7W 8.5W

For photometric files see website or contact factory



* CRI & TM-30 Value for 3000K

** Power figures exclude remote driver

Output Specifications

Reference: 3000K, medium beam, 500mA, White
() indicates multipliers

Reference Delivered Lumens	CCT	Optics	Drive Current	Finish
610lm	2700K (0.98) 3000K (1.0) 3500K (1.06)	LM (1.0)	350mA (0.74) 500mA (1.0)	WHS (1.0) BLS (0.97) BLBA (0.98) BRBA (1.0) CHBA (1.01) SBBA (1.0)

Example Calculation

To determine typical output for 2700K, 350mA, Black:
 $610 \times 0.98 \times 0.74 \times 0.97 = 429$ lumen

Listings and Certifications

- Damp location listed
- cUL & UL listed

Warranty

Visit <https://www.supermodular.com/warranty>