

## Minude Suspended 1.8 1x DE

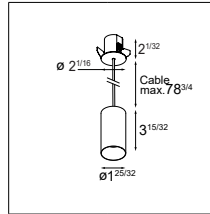
### Overview



Adding a touch of minimalistic elegance is easy when you have Minude Suspended. A small cylinder, a deep-recessed light source, a long list of anodized colors. Create intimate zones in your space with one or many Minudes Suspended hanging above a favorite corner or kitchen island.

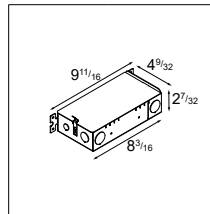
### How to Specify (example)

#### 1. Select Luminaire / Body → Page 2



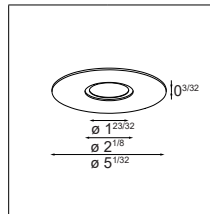
Example: **MINUD-SP-1.8-1X-30M-DP-DE-SBBA**  
Minude Suspended 1.8 1x, 3000K, medium, damp rated, silver bronze brushed

#### 2. Select Remote Driver → Page 3



Example: **NON-IC-RD-DP-010P-350-8**  
Remote Driver, NON-IC rated, damp rated, 0-10V, ELV & Triac, 350mA, 8W

#### 3. Select Mounting Accessory (optional) → Page 4



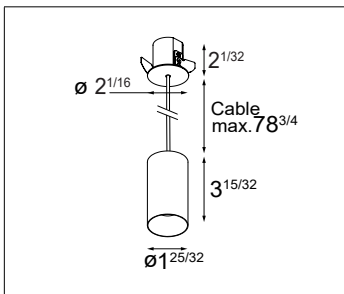
Example: **BP-C-44-SMART-TSS-1.9-MINUDE-BLS**  
Backplate Cover, for 4"x4" octagonal junction box, Minude Suspended 1.8, black structure

Example order:

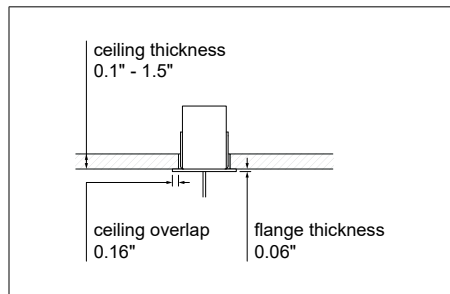
Quantity	Item
1	<b>MINUD-SP-1.8-1X-30M-DP-DE-SBBA</b>
1	<b>NON-IC-RD-DP-010P-350-8</b>
1	<b>BP-C-44-SMART-TSS-1.9-MINUDE-BLS</b>

## Luminaire Specifications

- Aperture: 1.7"
- Ceiling cutout: Ø1 3/4"
- Body material: aluminum
- Body finish: chrome plating, powder coat, wet paint or anodisation
- Cast grey finish is slightly see-through and can still show natural color differences of the raw aluminum material
- Canopy material: steel
- Canopy finish: black powder coat, unless white is selected (then it is white powder coat)
- Cable diameter: 0.14"
- Cable color: black
- Cable length: 78.7" (can be field adjusted)
- Driver: not included in the body
- Must be combined with remote driver (specify on page 3)
- Included: connection box for installation without junction box
- Included: plaster finish plate for installation with a 4"x4" octagonal junction box
- Can optionally be combined with Backplate to cover the junction box (specify on page 4)

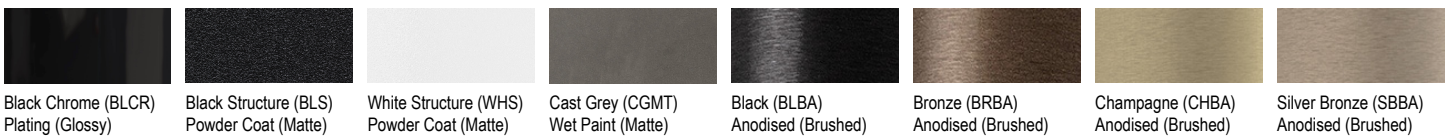


Minude Suspended 1.8 1x DE



Flange Information

## Finish Information

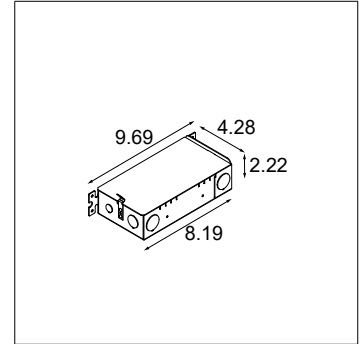


## Ordering Information

MINUD-SP-1.8-1X				M	DP		DE				
<b>MINUD-SP-1.8-1X</b>	Minude Suspended 1.8 1x	<b>27</b>	2700K	<b>M</b>	Medium (29°)	<b>DP</b>	Damp Location (indoor use only)	<b>BLCR</b>	Black Chrome		
		<b>30</b>	3000K					<b>BLS</b>	Black Structure		
		<b>35</b>	3500K					<b>WHS</b>	White Structure		
								<b>CGMT</b>	Cast Grey		
								<b>BLBA</b>	Black Brushed		
								<b>BRBA</b>	Bronze Brushed		
								<b>CHBA</b>	Champagne Brushed		
								<b>SBBA</b>	Silver Bronze Brushed		

**Remote Driver Specifications**

- Material: sheet metal (galvanized steel)
- Class 2 constant current power supply
- Multiple luminaires can be connected in series to a single driver
- Box can be bottom, side or t-bar mounted
- 4 knockout holes for line voltage conduit or cable connection
- 4 knockout holes for low-voltage conduit or cable connection
- May be placed up to 50ft away using 16AWG wire
- Suitable for damp locations



Remote Driver "A"

**Remote Driver Specifications & Ordering Information**

Ordering Code	Version	Input	Output	Dim <sup>(2)</sup>	Driver Location					Luminaires <sup>(3)</sup>
					Recessed IC	Recessed Non-IC	Surface	Cabinet	Under Cabinet	Fixed CCT (Medium)
IC-RD-DP-D-ELDO-1-350-10	Remote Driver "A"	120-277VAC	350mA	DALI-2 - 1%	Ⓜ	Ⓜ	Ⓜ	Ⓜ	Ⓜ	1
IC-RD-DP-D-ELDO-1-350-20	Remote Driver "A"	120-277VAC	350mA	DALI-2 - 1%	Ⓜ	Ⓜ	Ⓜ	Ⓜ	Ⓜ	1 - 3
IC-RD-DP-D-ELDO-1-350-30	Remote Driver "A"	120-277VAC	350mA	DALI-2 - 1%	Ⓜ	Ⓜ	Ⓜ	Ⓜ	Ⓜ	1 - 3
IC-RD-DP-0101-EL-350-10	Remote Driver "A"	120-277VAC	350mA	0-10V - 1%	Ⓜ	Ⓜ	Ⓜ	Ⓜ	Ⓜ	1
IC-RD-DP-0101-EL-350-20	Remote Driver "A"	120-277VAC	350mA	0-10V - 1%	Ⓜ	Ⓜ	Ⓜ	Ⓜ	Ⓜ	1 - 3
IC-RD-DP-0101-EL-350-30	Remote Driver "A"	120-277VAC	350mA	0-10V - 1%	Ⓜ	Ⓜ	Ⓜ	Ⓜ	Ⓜ	1 - 3
NON-IC-RD-DP-010P-350-8	Remote Driver "A"	120-277VAC <sup>(1)</sup>	350mA	0-10V, ELV & Triac - 1%	Ⓜ	Ⓜ	Ⓜ	Ⓜ	Ⓜ	1
NON-IC-RD-DP-010P-350-14	Remote Driver "A"	120-277VAC <sup>(1)</sup>	350mA	0-10V, ELV & Triac - 1%	Ⓜ	Ⓜ	Ⓜ	Ⓜ	Ⓜ	2
IC-RD-DP-D-ELDO-1-500-10	Remote Driver "A"	120-277VAC	500mA	DALI-2 - 1%	Ⓜ	Ⓜ	Ⓜ	Ⓜ	Ⓜ	1
IC-RD-DP-D-ELDO-1-500-20	Remote Driver "A"	120-277VAC	500mA	DALI-2 - 1%	Ⓜ	Ⓜ	Ⓜ	Ⓜ	Ⓜ	1 - 2
IC-RD-DP-D-ELDO-1-500-30	Remote Driver "A"	120-277VAC	500mA	DALI-2 - 1%	Ⓜ	Ⓜ	Ⓜ	Ⓜ	Ⓜ	1 - 2
IC-RD-DP-0101-EL-500-10	Remote Driver "A"	120-277VAC	500mA	0-10V - 1%	Ⓜ	Ⓜ	Ⓜ	Ⓜ	Ⓜ	1
IC-RD-DP-0101-EL-500-20	Remote Driver "A"	120-277VAC	500mA	0-10V - 1%	Ⓜ	Ⓜ	Ⓜ	Ⓜ	Ⓜ	1 - 2
IC-RD-DP-0101-EL-500-30	Remote Driver "A"	120-277VAC	500mA	0-10V - 1%	Ⓜ	Ⓜ	Ⓜ	Ⓜ	Ⓜ	1 - 2
IC-RD-DP-TE1-500-12	Remote Driver "A"	120VAC	500mA	ELV & Triac - 1%	Ⓜ	Ⓜ	Ⓜ	Ⓜ	Ⓜ	1
IC-RD-DP-TE1-500-20	Remote Driver "A"	120VAC	500mA	ELV & Triac - 1%	Ⓜ	Ⓜ	Ⓜ	Ⓜ	Ⓜ	2
NON-IC-RD-DP-010P-500-21	Remote Driver "A"	120-277VAC <sup>(1)</sup>	500mA	0-10V, ELV & Triac - 1%	Ⓜ	Ⓜ	Ⓜ	Ⓜ	Ⓜ	2

<sup>(1)</sup> Dimming via ELV & Triac only compatible at 120VAC input

<sup>(2)</sup> Consult the factory for dimmer compatibility

<sup>(3)</sup> Minimum & maximum amount of compatible luminaires, multiple luminaires must be connected in series to a single driver

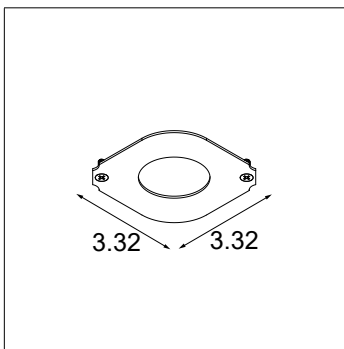
**Mounting Accessories Specifications**

**Plaster Finish Plate**

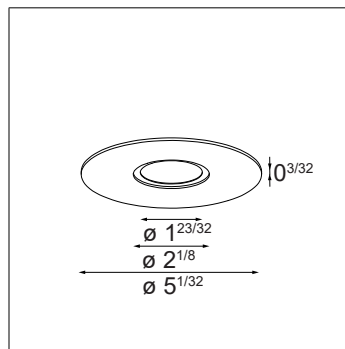
- Always included with the luminaire
- An additional Plaster Plate can be ordered, to be delivered in advance

**Backplate**

- Optional
- Covers a 4"x4" octagonal junction box
- Material: stainless steel
- Finish: powder coat
- Thickness: 0.08"
- Weight: 0.7lbs



Plaster Plate Minude Suspended 1.8

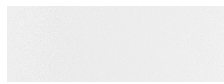


Backplate Minude Suspended 1.8

**Finish Information**



Black Structure (BLS)  
Powder Coat (Matte)



White Structure (WHS)  
Powder Coat (Matte)

**Ordering Information**

<b>PP</b>	-	<b>44</b>	-	<b>SMART-TSS-1.9-MINUDE</b>
PP	Plaster Finish Plate	44	For 4"x4" octagonal junction box	SMART-TSS-1.9-MINUDE Minude Suspended 1.8

<b>BP-C</b>	-	<b>44</b>	-	<b>SMART-TSS-1.9-MINUDE</b>	-	
BP-C	Backplate Cover	44	For 4"x4" octagonal junction box	SMART-TSS-1.9-MINUDE	Minude Suspended 1.8	<b>BLS</b> Black Structure <b>WHS</b> White Structure

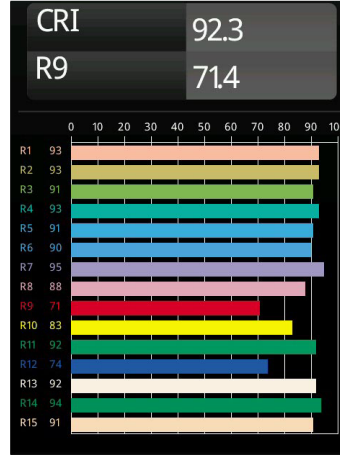
## Minude Suspended 1.8 1x DE

### Performance Specifications

Luminaire	<b>Fixed CCT (Medium)</b>	
Weight	0.6lbs	
Cut-Out Size	Ø1 3/4"	
Location	damp (indoor use only)	
IP Rating	IP20	
CRI*	92, R9: 71	
Lifetime	L80 B20 @ 50,000 hrs	
UGR	see website	
Electrical (typical)	<b>Fixed CCT (Medium)</b>	
Drive Current (mA DC)	350	500
Forward Voltage (V)	16.4	16.9
LED Power (W)**	5.7	8.5

\* CRI & TM-30 Value for 3000K

\*\* Power figures exclude remote driver



For photometric files see website or contact factory.

### Output Specifications

Reference Delivered Lumens	CCT	Optics	Drive Current	Finish
610 (ref. 3000K, M, 500mA, WHS)	2700K (0.98) 3000K (1.00) 3500K (1.06)	M (1.00)	350mA (0.74) 500mA (1.00)	BLCR (0.97) BLS (0.97) WHS (1.00) CGMT (1.07) BLBA (0.98) BRBA (0.99) CHBA (1.01) SBBA (1.00)

Multipliers are indicated between brackets: ( )

Example calculation, to determine typical output for 2700K, Medium, 350mA, Black Structure: 610 x (0.98) x (1.00) x (0.74) x (0.97) = 429 lumens

### Listings and Certifications

- Listed: cULus
- Damp locations (indoor use only)



### Warranty

- Visit <https://www.supermodular.com/en-us/warranty/>